

PRODUCT DESCRIPTION CODE :

10155470-Y0XX LF

- RoHS COMPATIBLE
- FOR CUSTOMER CODE:
BLANK = GENERAL USE
- BLANK = WITH CPA
W = WITHOUT CPA
- NUMBER OF POSITIONS: 02 TO 16

- CODING TYPE:
- A = CODING A + BLACK COLOR
 - B = CODING B + NATURAL COLOR
 - C = CODING C + COLOR TO BE DEFINE

NOTES:

1 - MATERIAL:

HIGH TEMPERATURE THERMOPLASTIC UL94 V-0
CONNECTOR HOUSING: COLOR SEE CODING TYPE
TERMINAL HOUSING, TPA: COLOR BLACK
CPA: COLOR RED

SEALS: SILICONE RUBBER COLOR BLACK

2 - FOR USE WITH MicroSpaceXS CTW TERMINALS:
AWG 22 AND 24, SERIES 10155447

3 - CAN BE MATED WITH MicroSpaceXS SEALED:
HEADER W+W FLYING CONNECTION SERIES 10155480
HEADER INTERFACE W+D SERIES 10171621

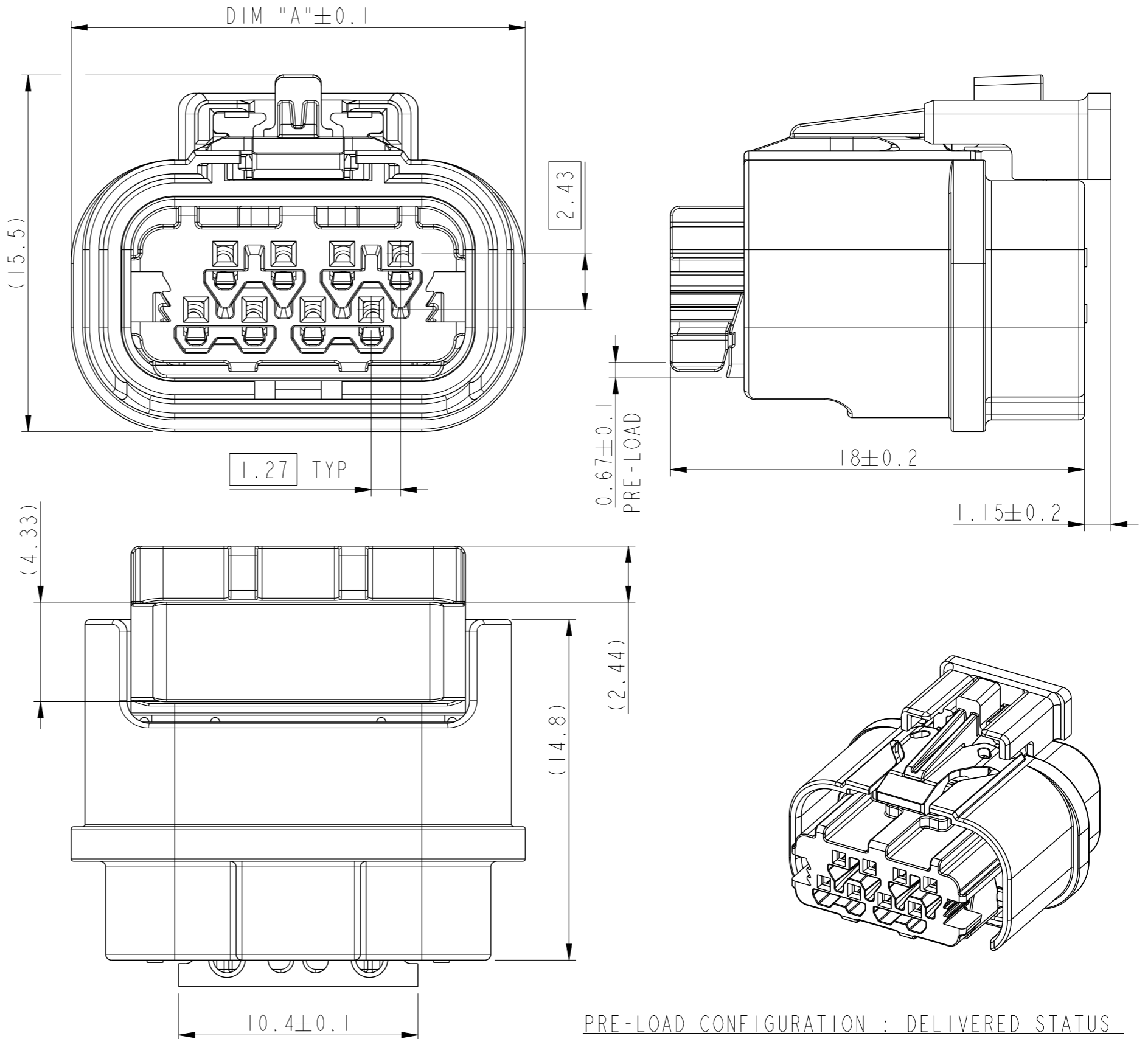
4 - COMPATIBLE WITH SEALING PLUG 10155475-000LF

5 - PRODUCT SPECIFICATION : GS-12-1634
APPLICATION SPECIFICATION : GS-20-0657
PACKAGING SPECIFICATION : GS-14-2777

6 - THE PRODUCT IS NOT INTENDED TO BE EXPOSED
TO ANY SOLDER PROCESS.

7 - RoHS COMPATIBLE PRODUCT SPECIFICATIONS

- a - LABELLING :
MEETS PACKAGING SPECS AS PER GS-14-920
- b - LEGAL STATEMENT :
SEE GS-47-0004.

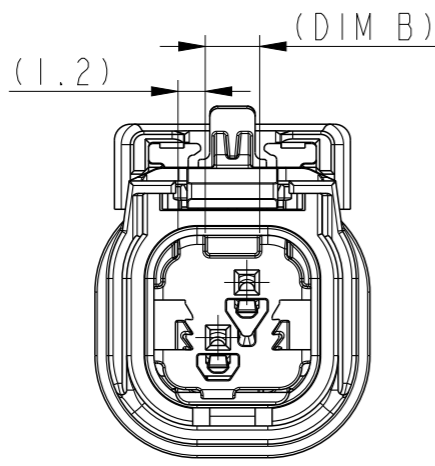


spec ref	dr	Soman-adm, Shi	2020/06/03	projection	mm	size	A3	scale	5:1
tolerance std	eng	Hyppias, Arnau	2023/05/23			ecn no	ELX-F-48313-1	rel level	Released
ISO 406 ISO 1101	chr	Moisan, Gwenda	2023/05/23						
surface	linear	0.X	±0.3	product family	-	dwg no	10155470	rev	D
		0.XX	±0.10						
ISO 1302	angular	0°	±2°	cat. no.	-	Product - Customer Drw	sheet 1 of 3		

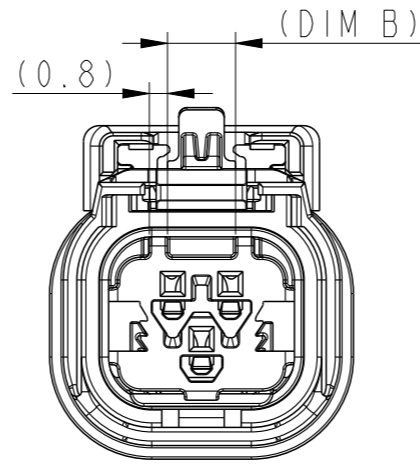


RECEPTACLE ASSEMBLY
MicroSpaceXS SEALED

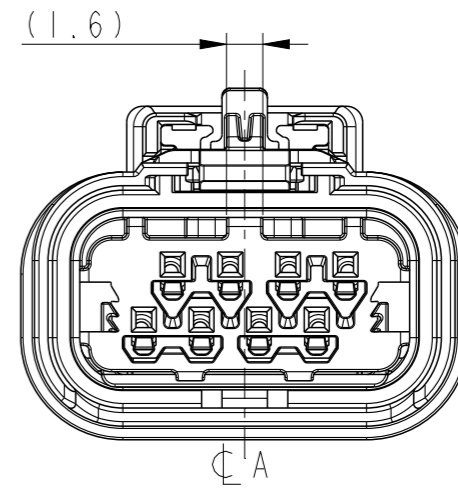
COD A VIEWS AND DIMENSIONS



FOR 02POS

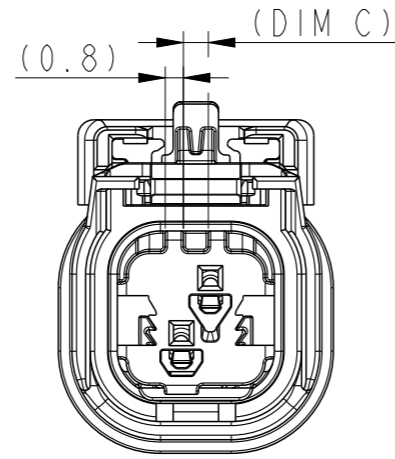


FOR 03 TO 05POS

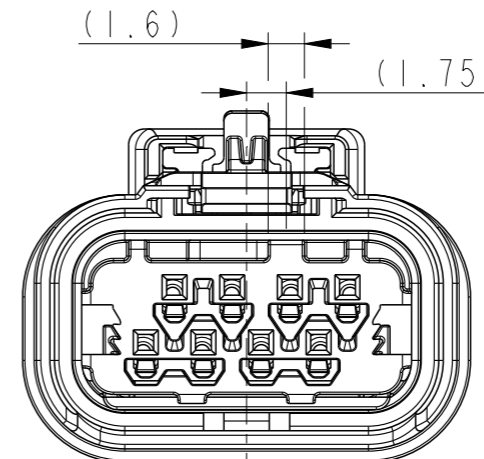


FOR 06 TO 16POS

COD B VIEWS AND DIMENSIONS

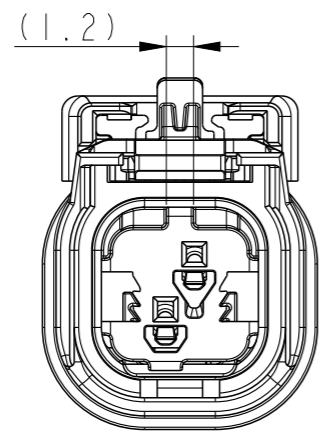


FOR 02 TO 05POS

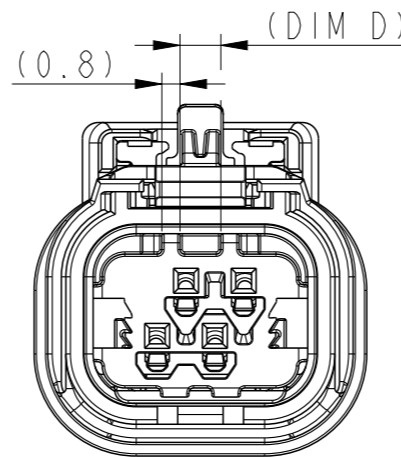


FOR 06 TO 16POS

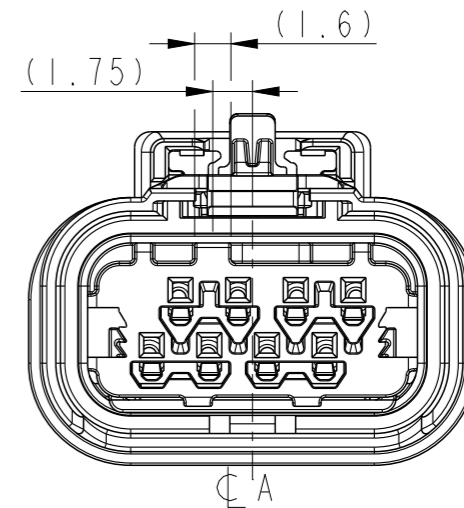
COD C VIEWS AND DIMENSIONS



FOR 02 AND 03POS



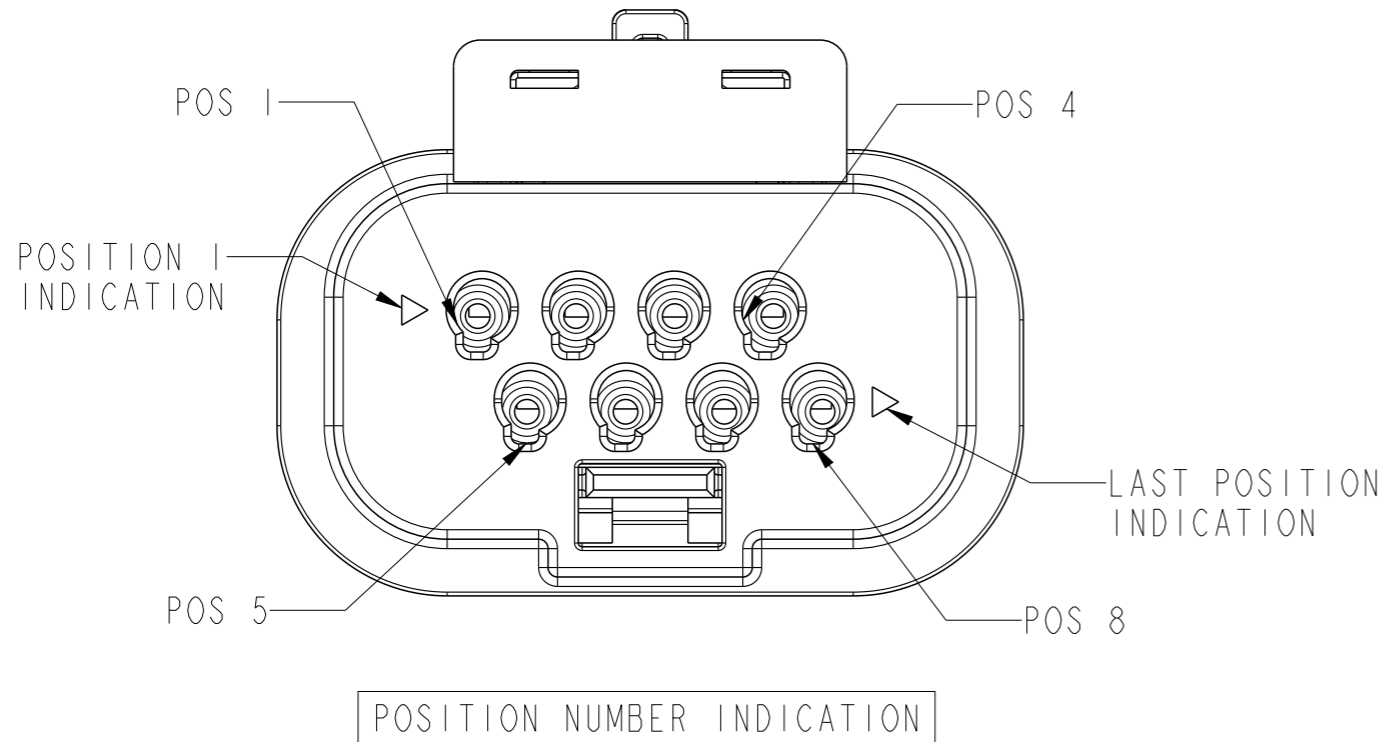
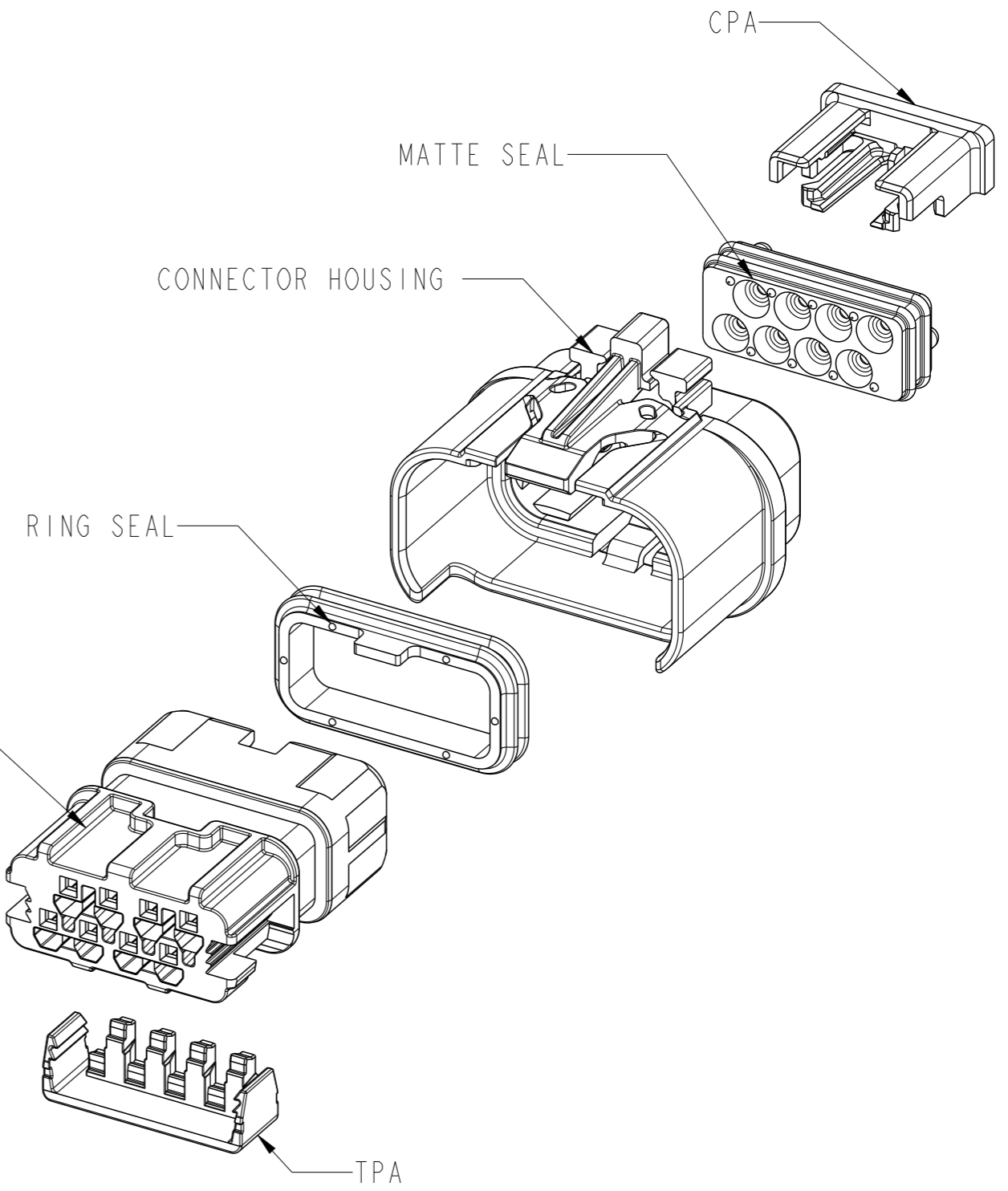
FOR 04 AND 05POS



FOR 06 TO 16POS

spec ref	dr	Soman-adm, Shi	2020/06/03	projection	mm	size	A3	scale	3:1
tolerance std	eng	Hyppias, Arnau	2023/05/23			ecn no	ELX-F-48313-1		
ISO 406 ISO 1101	chr	Moisan, Gwenda	2023/05/23			product family	rel level	Released	
surface	appr	Vallière, Jérô	2023/05/23	RECEPTACLE ASSEMBLY		dwg no	10155470	rev	D
ISO 1302				MicroSpaceXS SEALED		Product - Customer Drw		sheet 2 of 3	
linear	0.X	±0.3							
	0.XX	±0.10							
	0.XXX	-							
angular	0°	±2°							

PART NUMBER	AVAILABILITY	NO.OF POS	DIM "A"	DIM "B"	DIM "C"	DIM "D"
10155470-X002LF	TOOLED	02	12.12	2.4	1.10	N/A
10155470-X003LF	ON DEMAND	03	13.39	3.00	1.40	N/A
10155470-X004LF	TOOLED	04	14.66	4.00	2.40	0.80
10155470-X005LF	ON DEMAND	05	15.93	5.00	3.50	1.80
10155470-X006LF	ON DEMAND	06	17.20	6.26	N/A	N/A
10155470-X007LF	ON DEMAND	07	18.47	7.53	N/A	N/A
10155470-X008LF	ON DEMAND	08	19.74	8.80	N/A	N/A
10155470-X009LF	ON DEMAND	09	21.01	10.07	N/A	N/A
10155470-X010LF	TOOLED	10	22.28	11.34	N/A	N/A
10155470-X011LF	ON DEMAND	11	23.55	12.61	N/A	N/A
10155470-X012LF	ON DEMAND	12	24.82	13.88	N/A	N/A
10155470-X013LF	ON DEMAND	13	26.09	15.15	N/A	N/A
10155470-X014LF	TOOLED	14	27.36	16.42	N/A	N/A
10155470-X015LF	ON DEMAND	15	28.63	17.69	N/A	N/A
10155470-X016LF	ON DEMAND	16	29.90	18.96	N/A	N/A



spec ref	dr	Soman-adm, Shi	2020/06/03	projection	mm	size	A3	scale	5:1	
tolerance std	eng	Hyppias, Arnau	2023/05/23			ecn no	ELX-F-48313-1			
ISO 406 ISO 1101	chr	Moisan, Gwenda	2023/05/23				rel level	Released		
surface	linear	0.X	±0.3	product family	-	dwg no	10155470			
		0.XX	±0.10							
ISO 1302	angular	0°	±2°	Amphenol FCI	RECEPTACLE ASSEMBLY	rev	D			
				MicroSpaceXS SEALED	cat. no.	-	Product - Customer Drw	sheet 3 of 3		

Creo File:ELX-WC-A3C.REV F.2020-12-21