

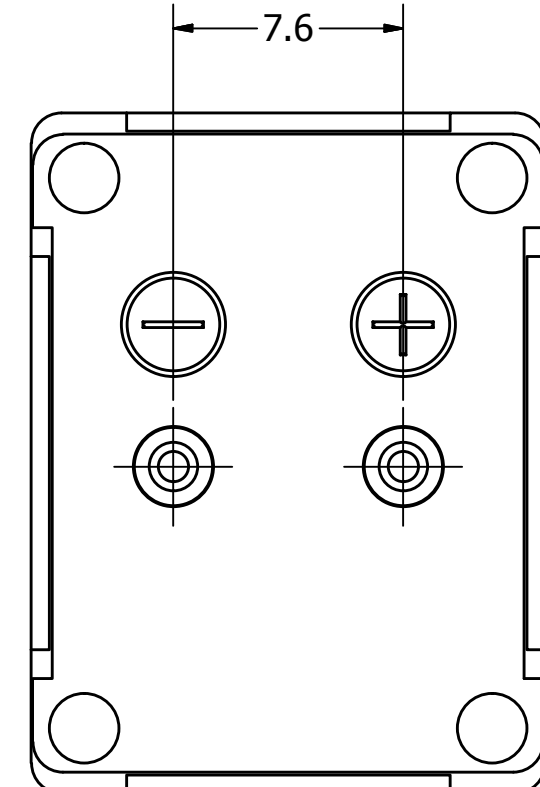
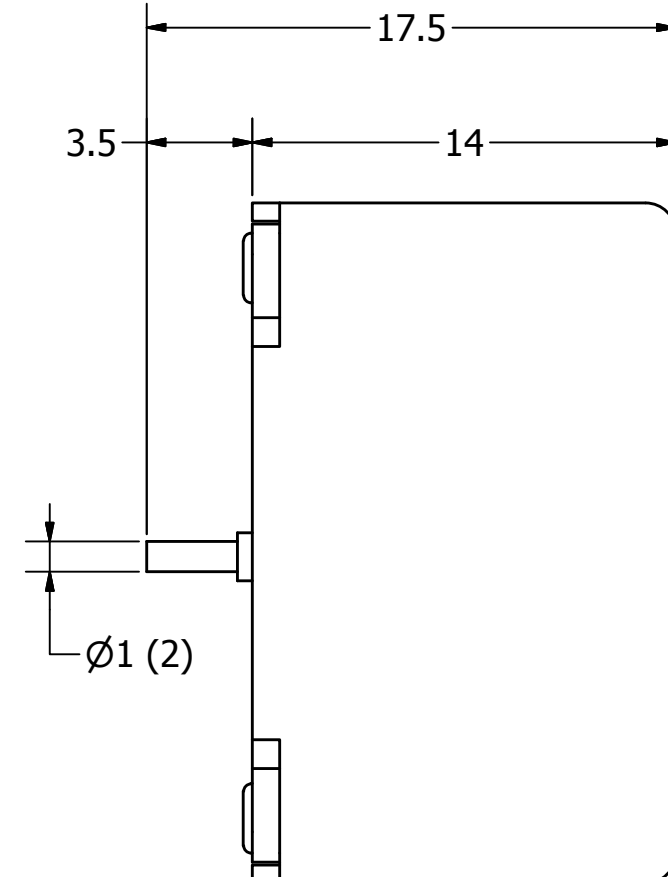
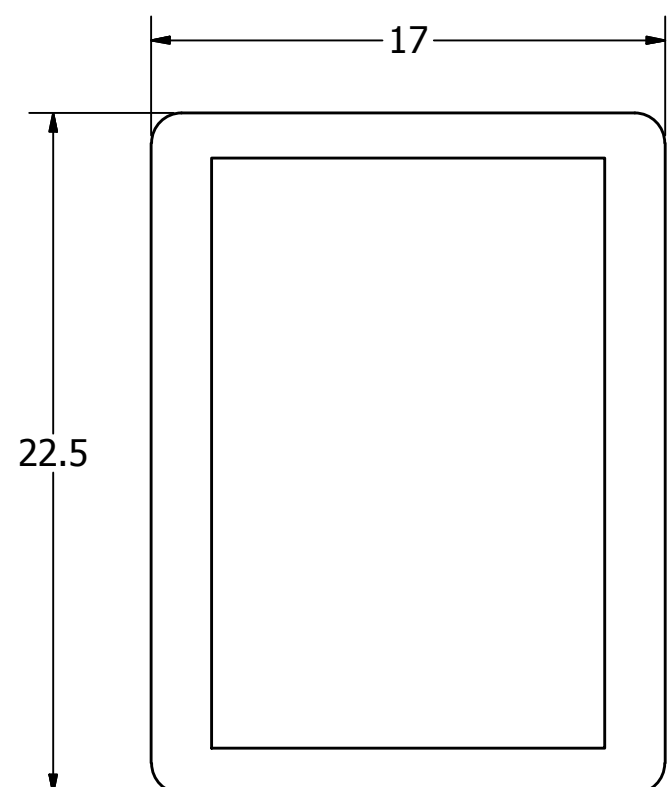
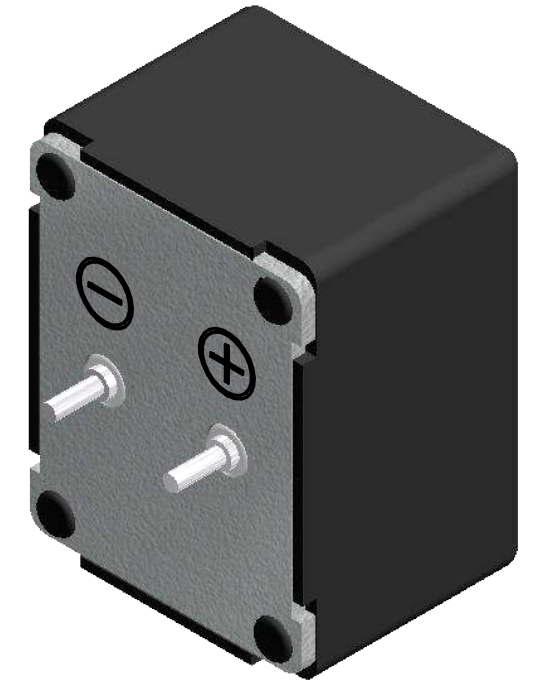
SPECIFICATIONS

PARAMETERS	VALUES	UNITS
RATED VOLTAGE	24	Vdc
OPERATING VOLTAGE RANGE	15 ~ 27	Vdc
RATED CURRENT (MAX)	30	mA
MINIMUM SPL @ 10 CM	84	dB
RESONANT FREQUENCY	400 ± 50	Hz
TONE OR PULSE RATE	CONTINUOUS	0 pulse /sec
OPERATING TEMPERATURE	-20 ~ +65	°C
STORAGE TEMPERATURE	-20 ~ +70	°C
HOUSING MATERIAL	ABS	-
TERMINAL MATERIAL	Sn PLATED COPPER	-
WEIGHT	8	grams

THIS DOCUMENT CONTAINS DATA PROPRIETARY TO PROJECTS UNLIMITED, INC. ANY USE OR REPRODUCTION, IN ANY FORM, WITHOUT PRIOR WRITTEN PERMISSION OF PROJECTS UNLIMITED, INC. IS PROHIBITED.
©2003, Projects Unlimited Inc.

REVISION HISTORY

LTR	DESCRIPTION	DATE	APPROVED
-	RELEASED FROM ENGINEERING	5/24/2006	
A	ADDED BODY DIMENSION	1/4/2007	R.W.
B	REVISED TO INVENTOR 3-D DRAWING TEMPLATE	12/19/2007	B.R.
C	REVISED SPL, TEMP RATINGS, ROHS STATUS	9/23/13	M.L.



NOTES:

1. ALL DIMENSIONS ARE IN MILLIMETERS.
2. SPECIFICATIONS SUBJECT TO CHANGE OR WITHDRAWL WITHOUT NOTICE.
3. THIS PART IS RoHS 2011/65/EU COMPLIANT.

UNLESS OTHERWISE SPECIFIED: DIMENSIONS ARE IN MILLIMETERS, TOLERANCES ARE ±0.5 AND ANGLES ARE ±3°.	SIZE A3	Designed by	Date	Checked by	Date	Approved by	Date	Drawn Date
		J.D.	5/24/2006	E.P.	5/25/2006	B.R.	5/25/2006	12/19/2007
AI-2304-TT-24V-R.idw				AI-2304-TT-24V-R				
Indicator						Edition	Sheet	
						-	1 / 1	