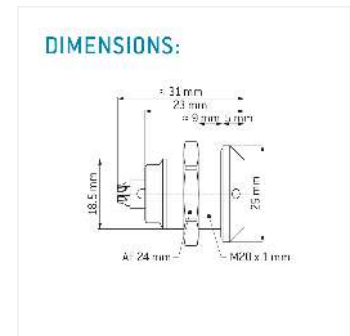
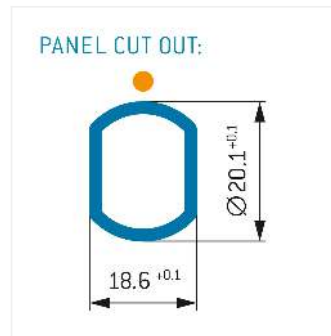
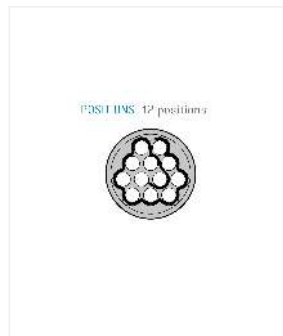


# ODU MINI-SNAP<sup>®</sup> Series K Receptacle acc. IEC 60601-1

## General information

Part number	G12KAC-P12NFG2-000L
Termination	Crimp
Size	2
Locking principle	push
Coding	a_key
customs tariff numbers	85366990



## Contact insert description

Number of contacts	12
Contact type	sockets
Contact diameter	07mm
Insulator material	peek
Wire cross section	22-26 AWG
Termination	Crimp

## Technical information

Max. creepage and air clearance distance	12_mm	2_moop
Nominal current single contact	075_a	iec_60512_5_2
Nominal current insert	4,1 A	vde_0298_6
Test voltage	12_kv_ac	sae_13441

safety\_text

## Mechanical and environmental data

Degree of protection*	ip68
Operating temperature	40_120_c
Mating cycles	5000

mated

## Material and surface treatments

<b>Housing</b>	chrome_finish
<b>Contact</b>	cu_alloy_gold

safety\_text\_2  
ul\_text  
illustrative\_text