

Thermofit Molded Parts
Specification Control Drawing

Part Number : 223A213 thru 233
Description : Boot, 90°, With Lip

NOTES

- All dimensions are in $\frac{\text{inches}}{\text{Millimeters}}$
- Dimensions appearing in table are as follows:
a - As Supplied
b - After Unrestricted Recovery
- Coating is optional. As supplied dimensions appearing in table are for uncoated parts. When coating is added, entry diameters will be reduced by .06 max.
- Molding ports are optional. When -00 modification number is specified molding ports will be located as shown.

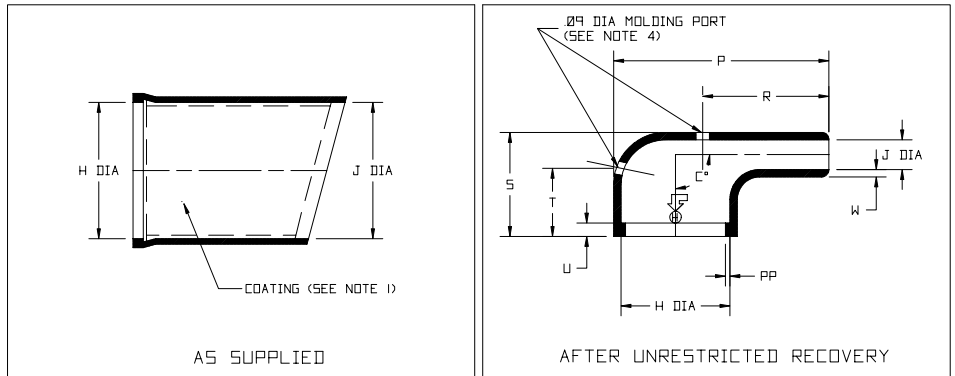


TABLE OF DIMENSIONS

PART NUMBER	H		J		P	R	S	T	U	PP	W	C
	MIN	Max	MIN	Max	±10%	±10%	±10%	±10%	±20%	±20%	±20%	±5°
	a	b	a	b	b	b	b	b	b	b	b	b
223A213	1.00 [25.4]	.66 [16.7]	1.00 [25.4]	.24 [6.3]	1.33 [33.8]	.70 [17.8]	.97 [24.6]	.63 [16.0]	.09 [2.3]	.03 [0.7]	.06 [1.5]	90°
223A223	.85 [21.3]	.61 [15.5]	.85 [21.3]	.20 [5.0]	1.16 [29.4]	.65 [16.5]	.77 [19.5]	.45 [11.4]	.09 [2.3]	.03 [0.7]	.06 [1.5]	90°
223A233	1.20 [30.5]	.78 [19.8]	1.20 [30.5]	.28 [7.1]	1.49 [37.8]	.75 [19.0]	1.03 [26.1]	.63 [16.0]	.09 [2.3]	.03 [0.7]	.07 [1.8]	90°

Raychem
RAYCHEM CORPORATION
300 CONSTITUTION DRIVE
MENLO PARK, CALIFORNIA 94025

Revision : B
Date : 6/5/96

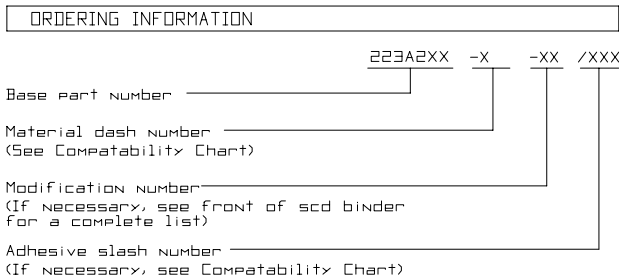
Part Number : 223A213 thru 233
Description : Boot, 90°, With Lip

Thermofit Molded Parts
Specification Control Drawing

Part Number : 223A213 thru 233
Description : Boot, 90°, With Lip

COMPATABILITY CHART

MATERIAL DASH NO.	MATERIAL DESCRIPTION	RT SPEC	COATING SLASH NO.	COATING S NO.	COATING DESCRIPTION
-3	Polyolefin, Semi-rigid	RT-301	/42	5-1017	Adhesive
-4	Polyolefin, Flexible	RT-1304	/42	5-1017	Adhesive



THIS DRAWING IS SUBJECT TO CHANGE WITHOUT NOTICE; CONSULT YOUR NEAREST FIELD REPRESENTATIVE FOR CURRENT REVISION

If this document is printed it becomes uncontrolled.
Check for the latest revision.

Raychem
RAYCHEM CORPORATION
300 CONSTITUTION DRIVE
MENLO PARK, CALIFORNIA 94025

Revision : B
Date : 6/5/96

Part Number : 223A213 thru 233
Description : Boot, 90°, With Lip