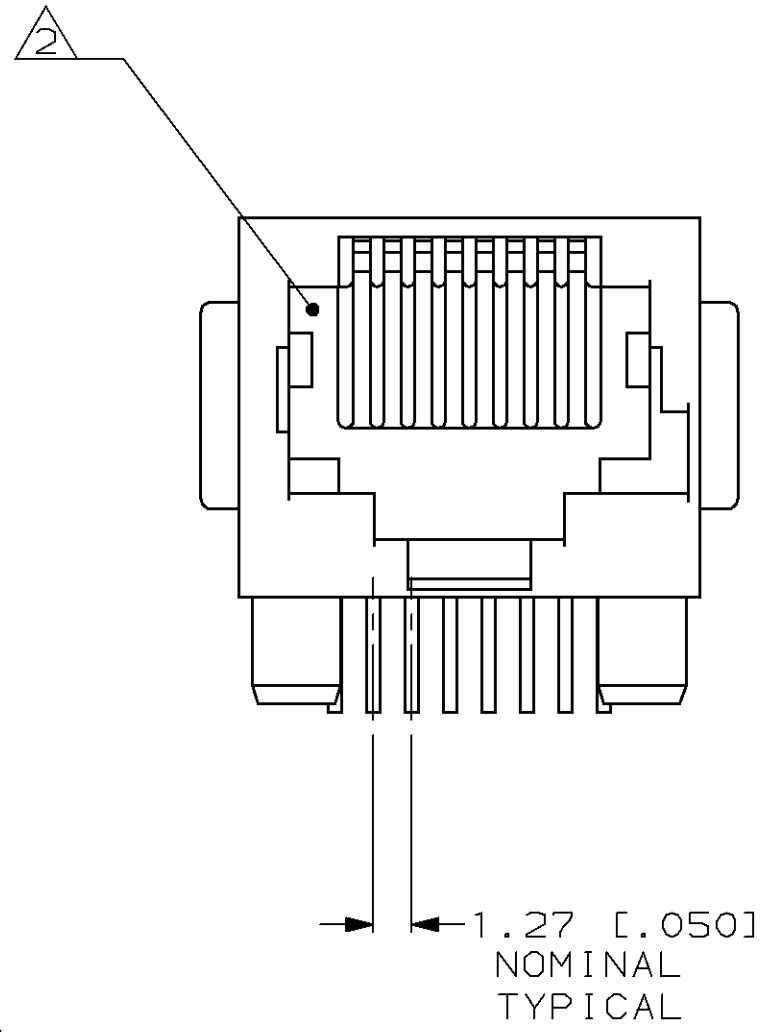
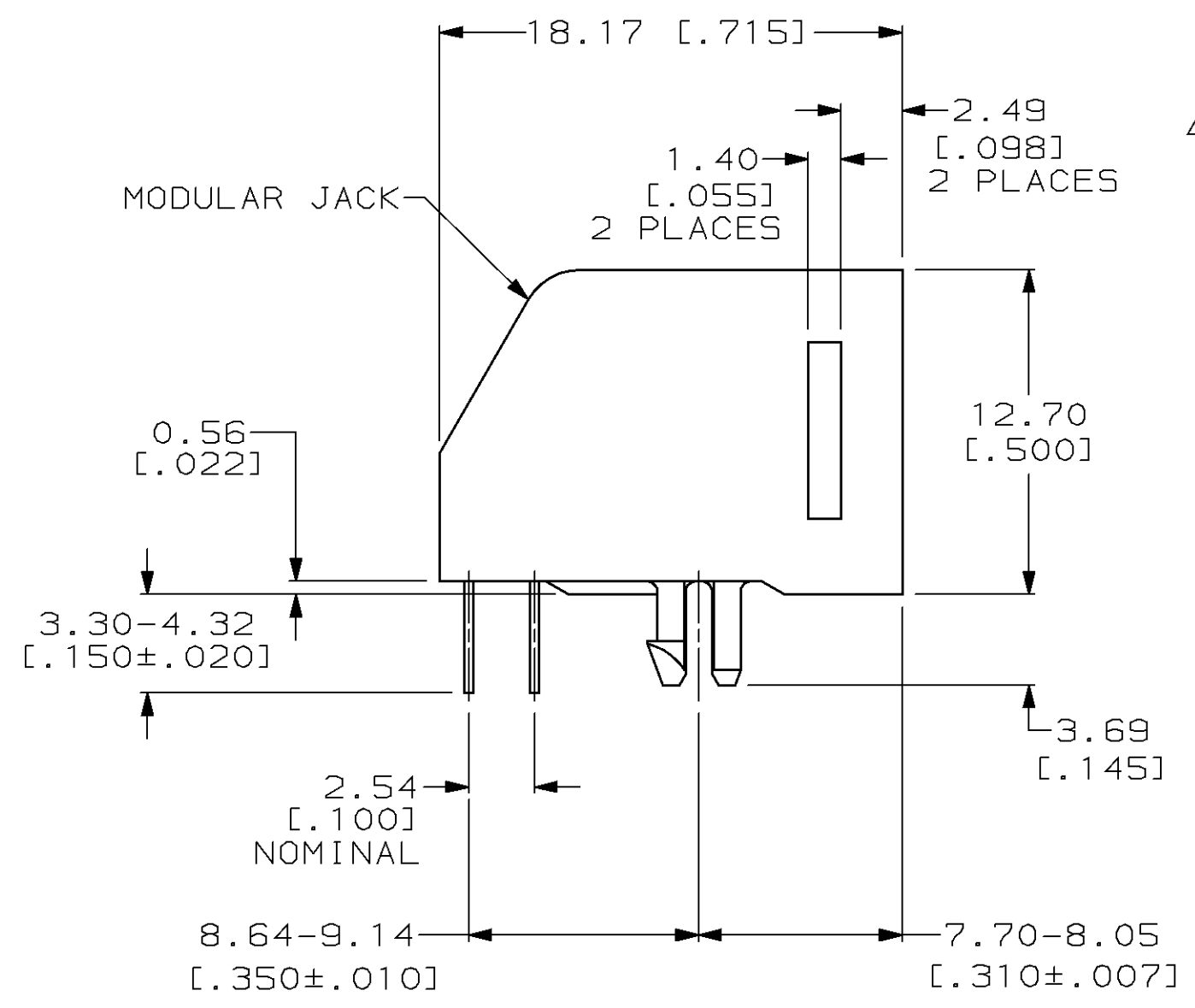
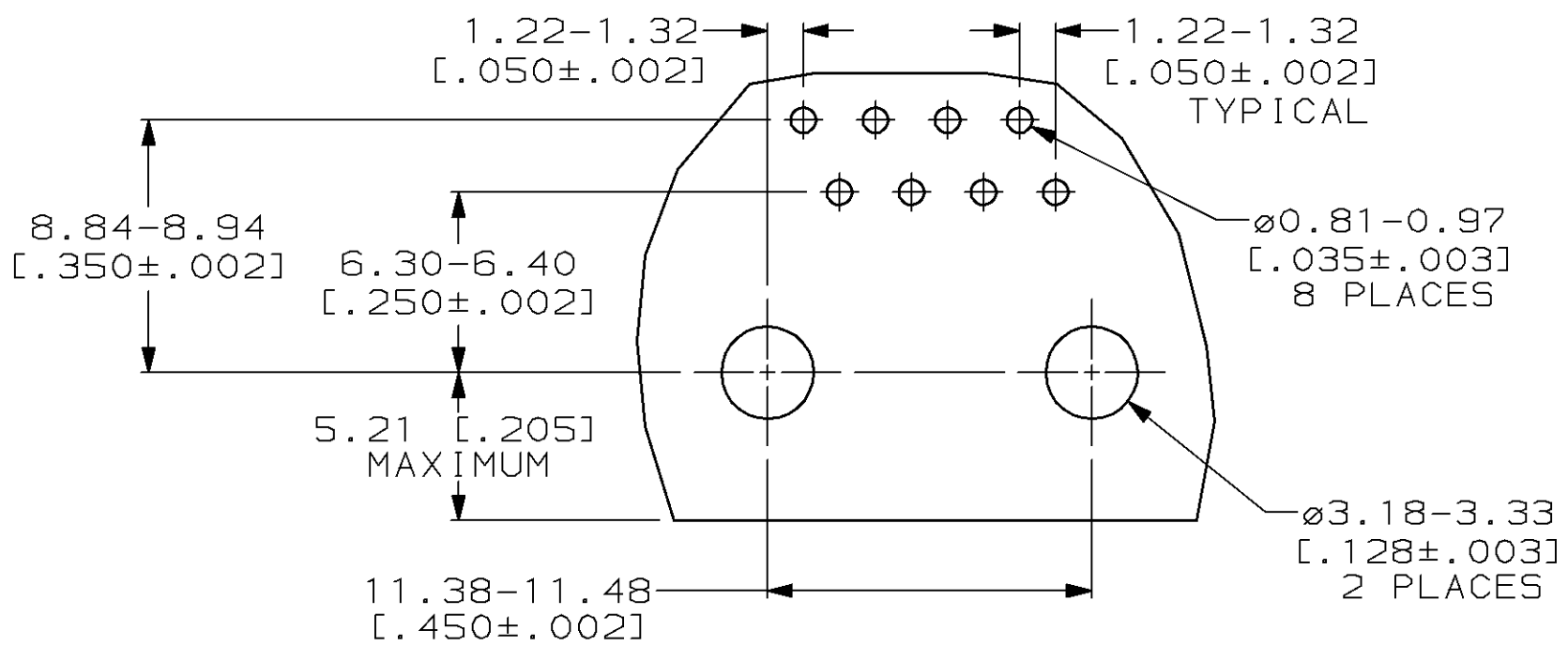
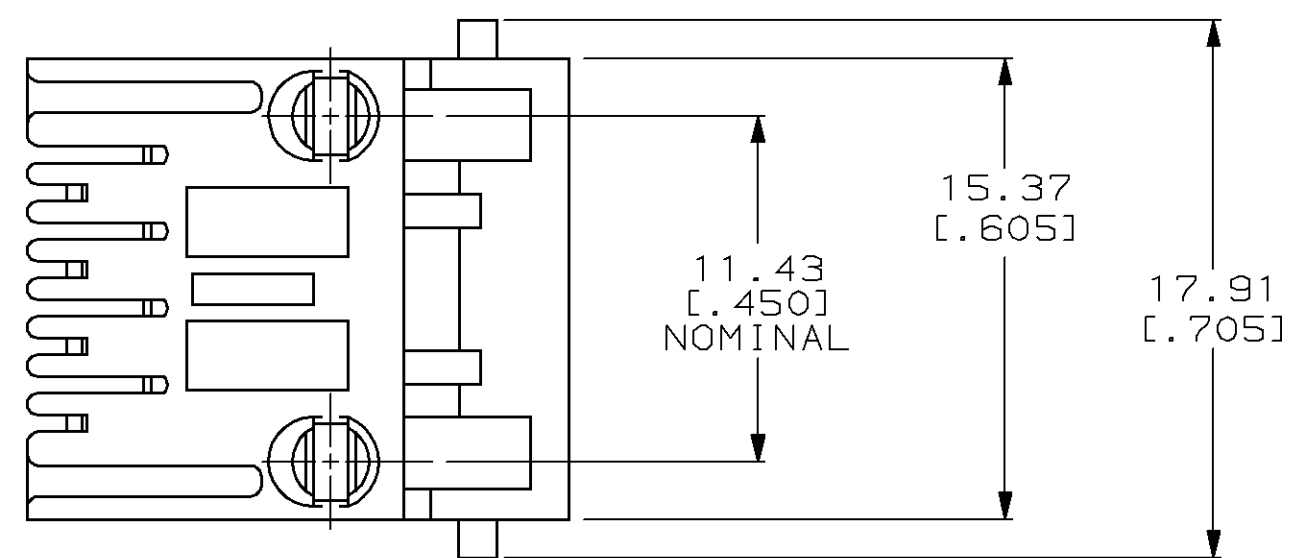


LOC	DIST	P	F	REVISIONS			DATE	APPD
AA	22			ZONE	LTR	DESCRIPTION		
					H	OBS: -3; EC 0502-0846-97	21MAY98	D5 CB



- ① MATERIAL: HOUSING - PBT POLYESTER, BLACK.
 TERMINAL - 0.36 [0.014] THICK PHOS BRONZE PLATED WITH 1.27µm [0.000050] THICK HARD GOLD IN LOCALIZED GOLD PLATE AREA AND 2.03µm [0.000080] THICK TIN LEAD IN SOLDER AREA OVER 1.27µm [0.000050] THICK NICKEL UNDERPLATE.
- ② CAVITY CONFORMS TO FCC RULES AND REGULATIONS PART 68, SUBPART F.
- ③ DIMENSIONS ARE MAXIMUM UNLESS OTHERWISE SPECIFIED.



SUGGESTED PRINTED CIRCUIT BOARD
 MOUNTING HOLE LAYOUT
 LAYOUT SHOWN FROM CIRCUIT SIDE OF BOARD

THIS DRAWING IS A CONTROLLED DOCUMENT FOR AMP INCORPORATED. IT IS SUBJECT TO CHANGE AND THE CONTROLLING ENGINEERING ORGANIZATION SHOULD BE CONTACTED FOR THE LATEST REVISION.

DO NOT SCALE PRINT. UNLESS SPECIFIED DIMENSIONS IN mm [INCHES] TOLERANCES ON:		DR 11-8-95 D. STRAUSSER	8		555166-1	
2 PLC DEC ± -		CHK 11-14-95 N. JONES	TERMINALS		PART NO	
3 PLC DEC ± -		APPD 11-20-95 J. TONEY	AMP Incorporated Harrisburg, PA 17105-3608			
ANGLES ± -		APPD 11-20-95 H. MCGRATH				
MATERIAL		PRODUCT SPEC	NAME			
①		108-1163	MODULAR JACK ASSEMBLY 8 POSITION, LOW PROFILE, RIGHT ANGLE, KEYED, WITH PANEL STOPS			
FINISH		APPLICATION SPEC	SIZE	CAGE CODE	DRAWING NO	
①		114-2048	Ⓒ	00779	Ⓒ=555166	
		WEIGHT	SCALE	SHEET		
		-	4:1	1 OF 1		