

MATERIAL NUMBER	# OF COLUMNS	# OF DIFF PAIR	DIM "A" MAX	DIM "B"	PTH \varnothing
76500-*8**	8	32	22.80	13.30	0.46±0.05
76500-*1**	10	40	26.60	17.10	0.46±0.05
76500-*6**	16	64	38.00	28.50	0.46±0.05
76500-*8**	8	32	22.80	13.30	0.39±0.05
76500-*1**	10	40	26.60	17.10	0.39±0.05
76500-*6**	16	64	38.00	28.50	0.39±0.05

76500-****

MODULE TYPE

- 5 = RIGHT GUIDED, LEAD-FREE
- 9 = RIGHT GUIDED, LEAD-FREE W/ ENDWALL

PIN LENGTH (P)

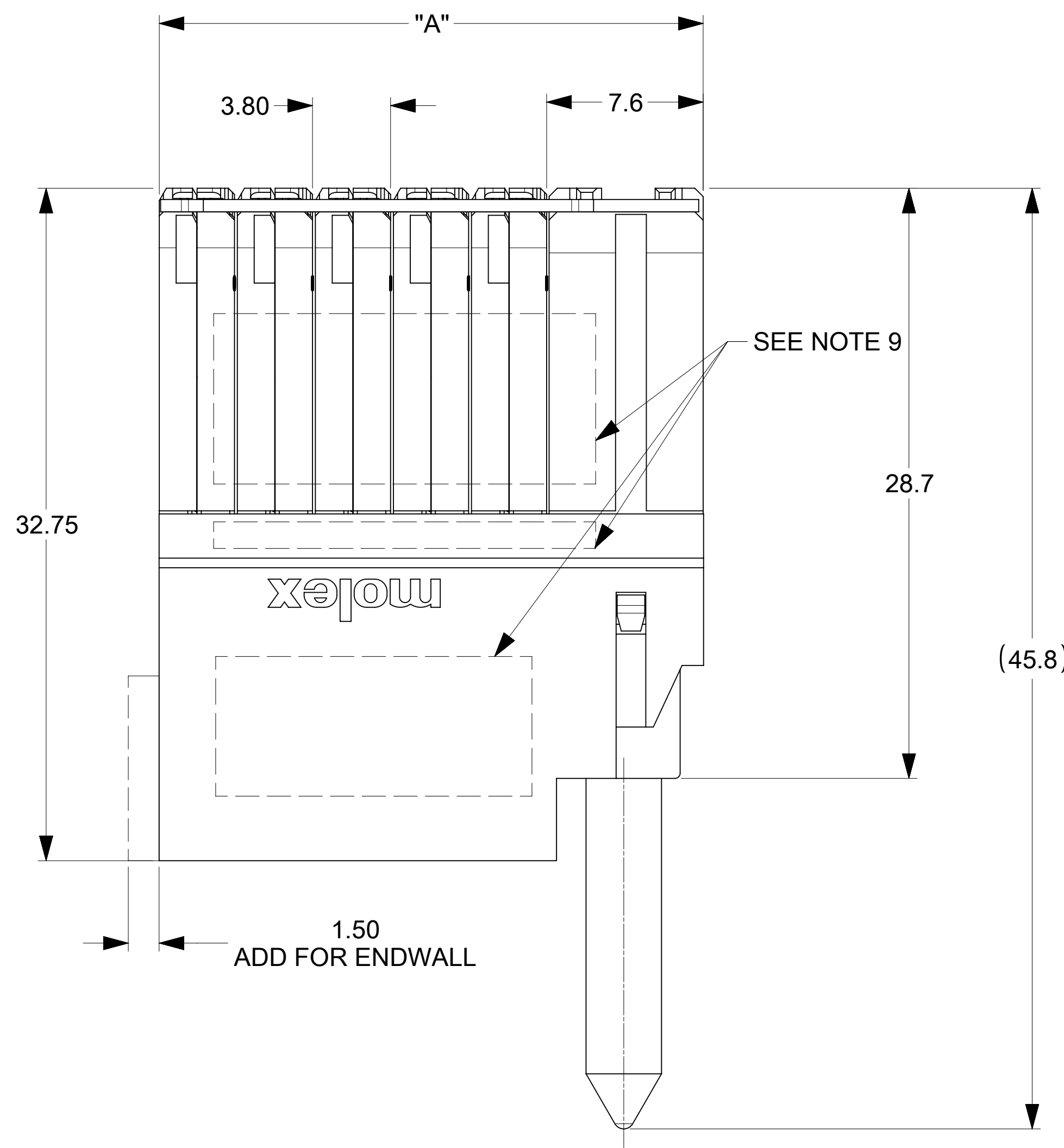
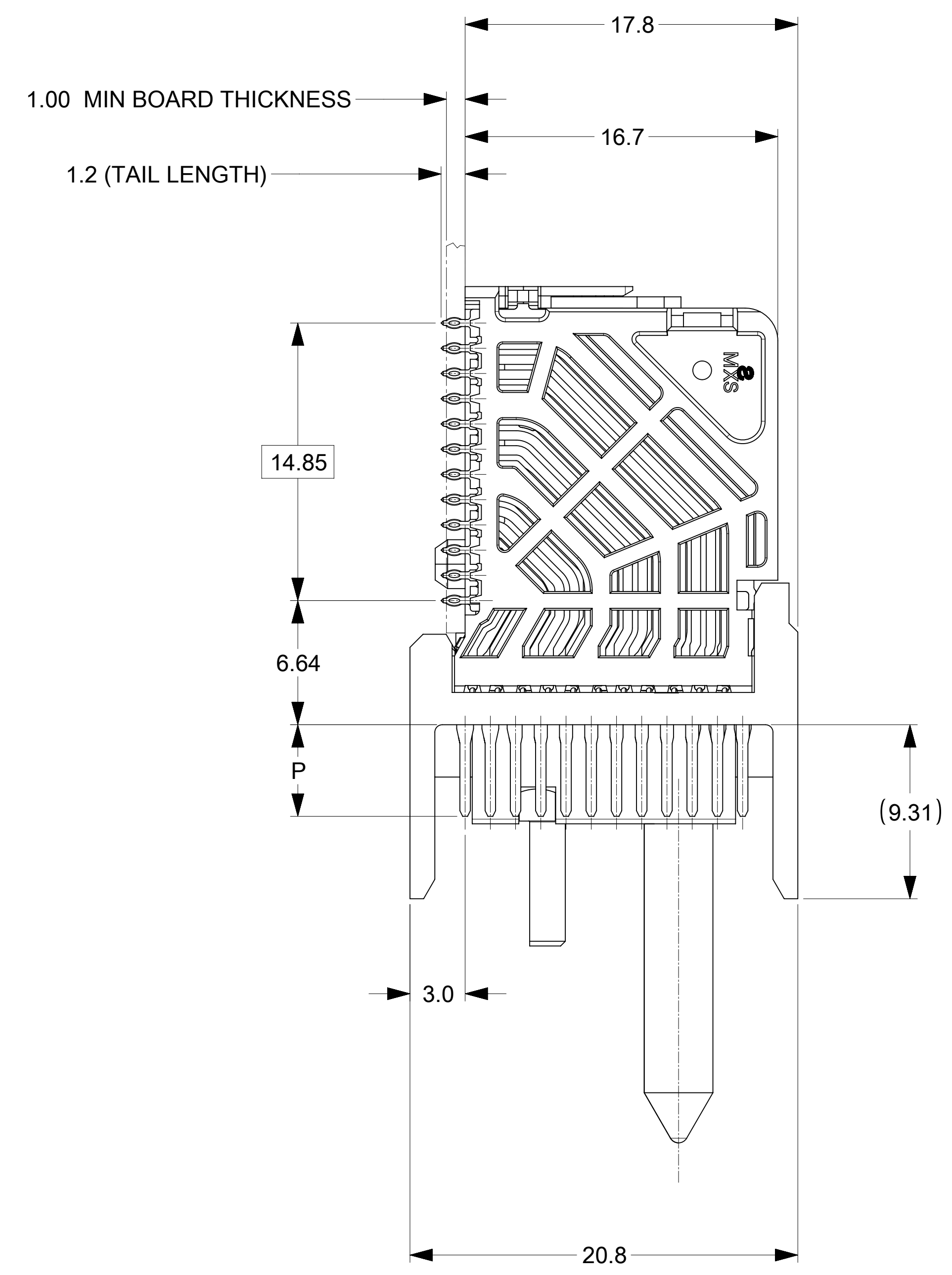
- 4 = 4.90 (0.46 PTH)
- 5 = 5.50 (0.46 PTH)
- 7 = 4.90 (0.39 PTH)
- 8 = 5.50 (0.39 PTH)

OF COLUMNS

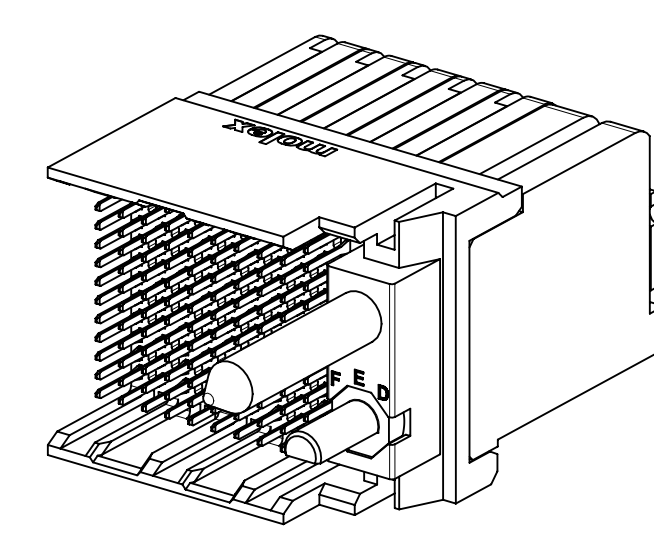
- 1 = 10 COLUMNS
- 6 = 16 COLUMNS
- 8 = 8 COLUMNS

KEY ORIENTATION

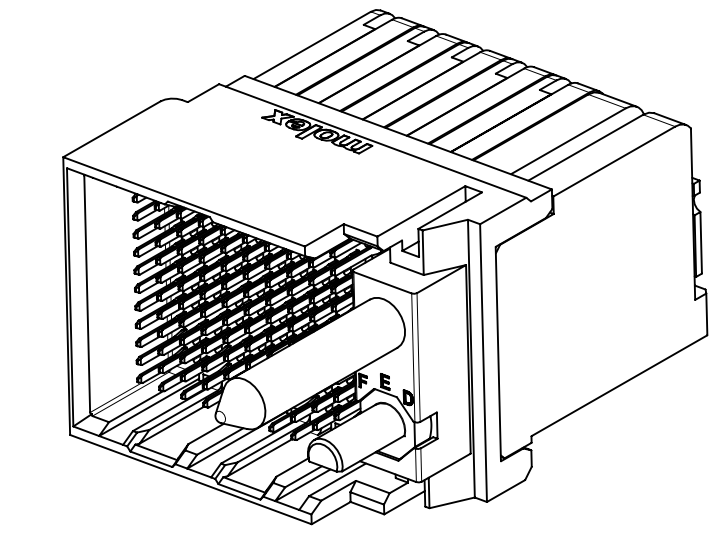
- 0 = NO KEY
- 1 = A 5 = E
- 2 = B 6 = F
- 3 = C 7 = G
- 4 = D 8 = H



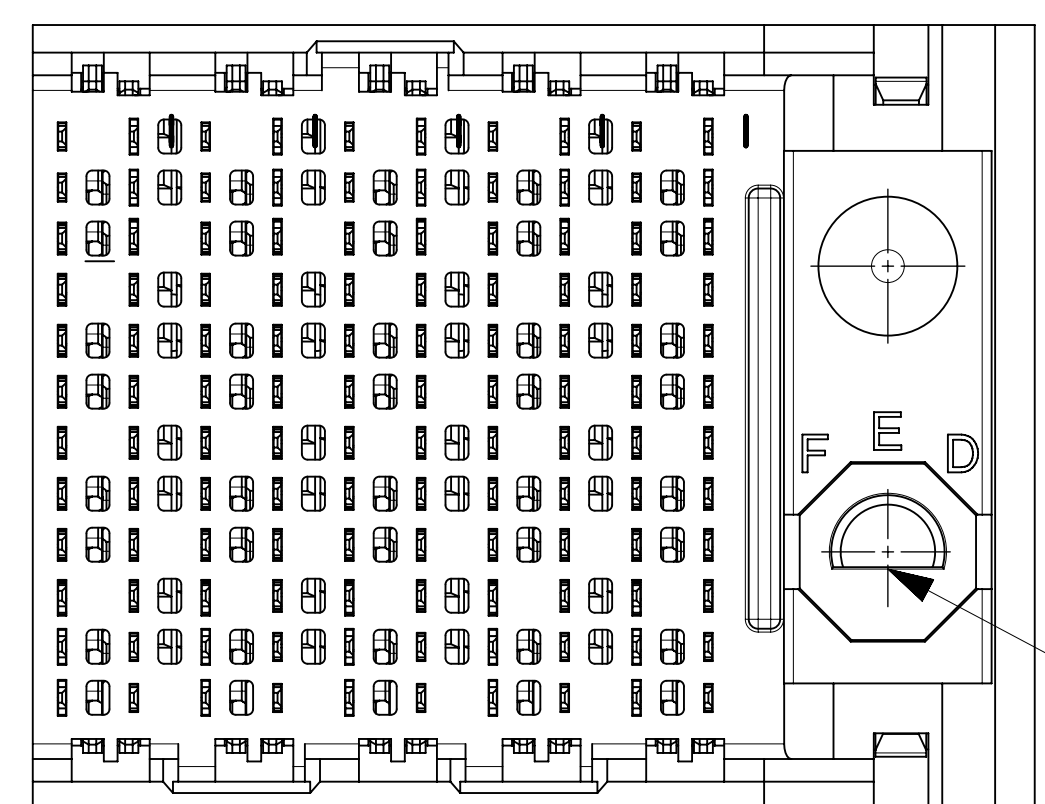
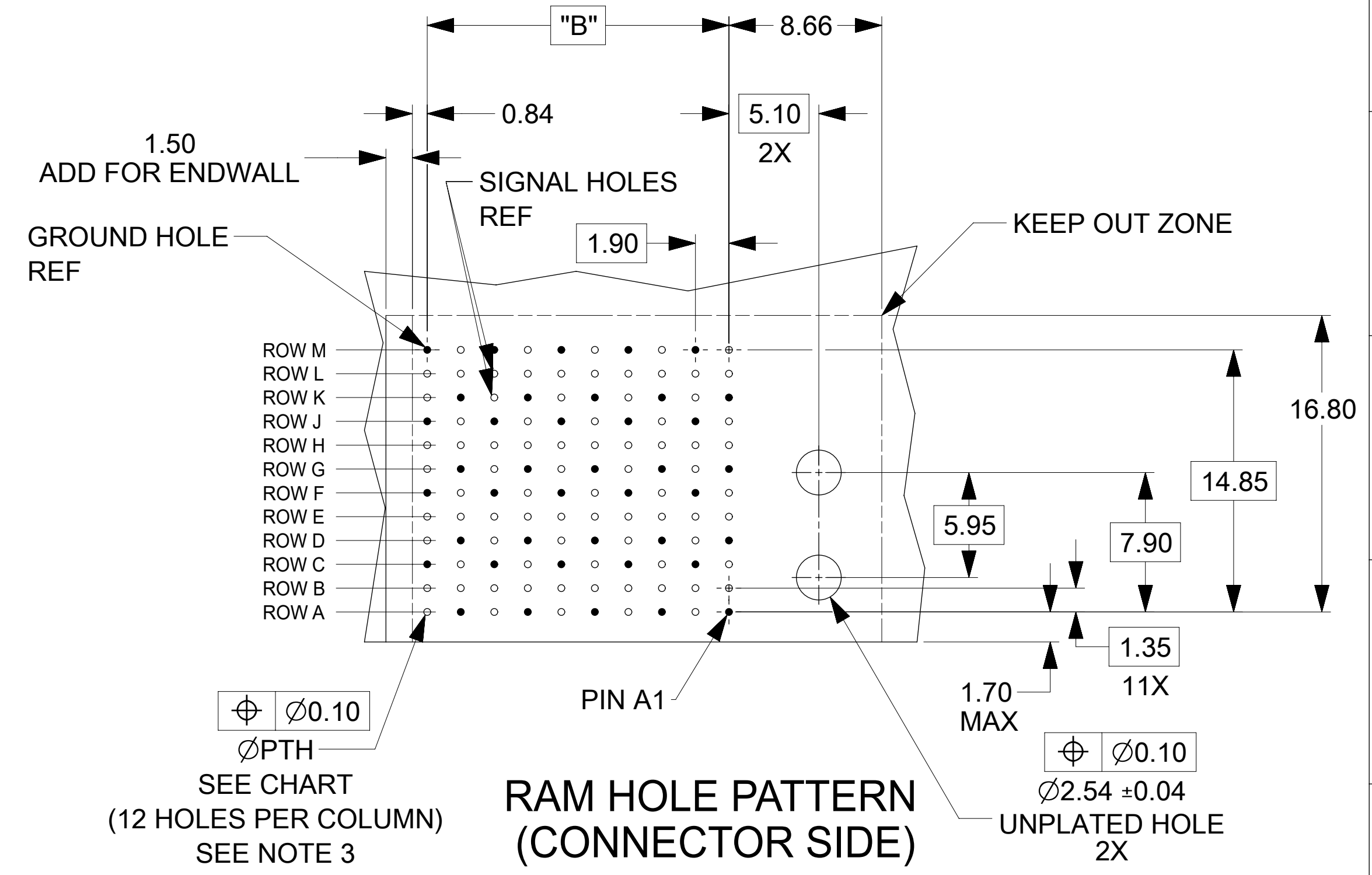
- NOTES:
- MATERIALS: HOUSING - LIQUID CRYSTAL POLYMER (LCP), GLASS-FILLED, UL94V-0
TERMINALS - HIGH PERFORMANCE COPPER ALLOY
 - FINISH: 30μIN SELECTIVE GOLD IN CONTACT AREA, SELECTIVE TIN ON PCB TAILS, NICKEL OVERALL.
 - REFER TO MOLEX PRODUCT SPECIFICATION PS-76060-999 FOR PERFORMANCE SPECIFICATIONS AND ADDITIONAL PCB INFORMATION.
 - EACH SIGNAL WAFER CONTAINS 2 COLUMNS OF TERMINALS.
 - PRODUCT IS PACKAGED PER PK-70873-041.
 - THIS PART CONFORMS TO CLASS B REQUIREMENTS OF COSMETIC SPEC PS-45499-002.7. REFER TO MOLEX SALES DRAWING SD-76160-002 FOR THE MATING RECEPTACLES.
 - REFER TO MOLEX PCB ROUTING GUIDE AS-76060-990 FOR ANTIPAD AND ROUTING RECOMMENDATIONS.
 - WHEN USING MOLEX SUPPLIED #2-32 SCREW 73726-0000 (9.50mm ±0.38 THREADABLE SCREW LENGTH), THE MAXIMUM BOARD THICKNESS IS 4.4mm.
 - GUIDE RIGHT RAM MATES WITH A GUIDE LEFT DAUGHTERCARD.
 - MARKING: LOCATED APPROXIMATELY AS SHOWN. PART NUMBER AND DATE CODE.



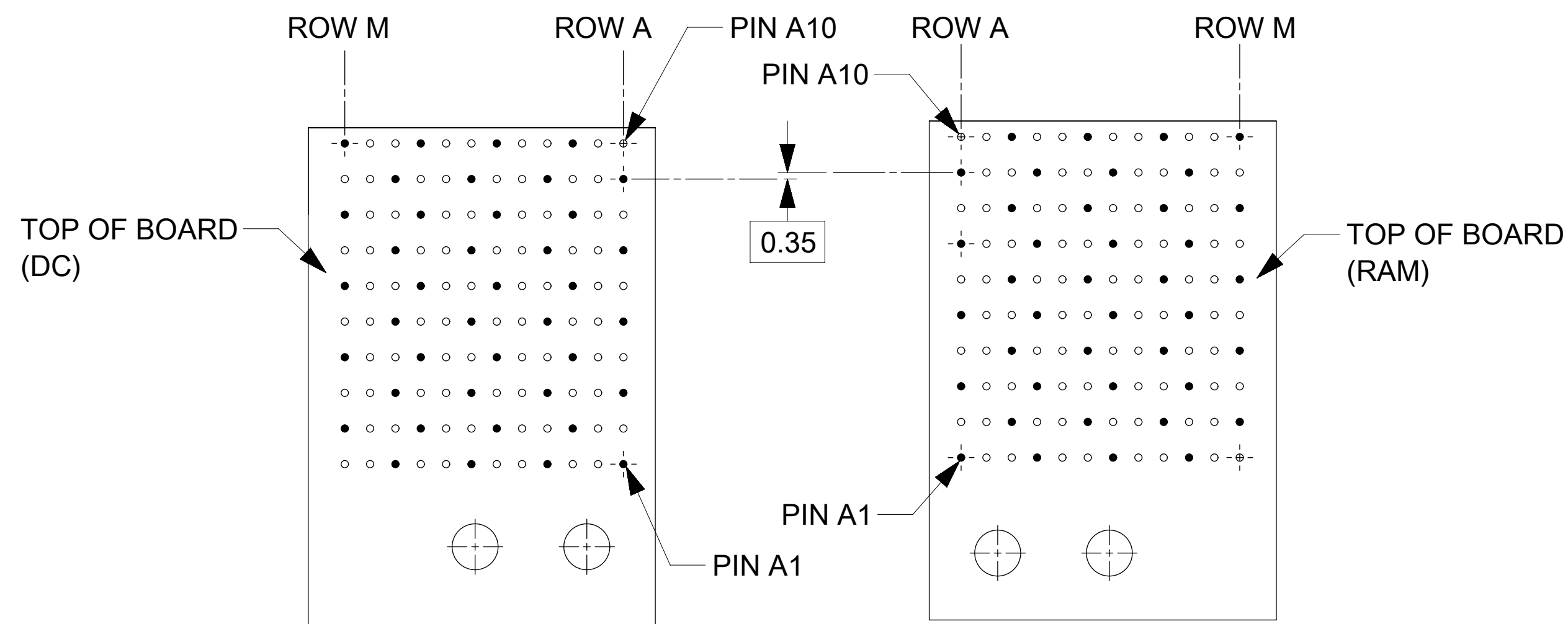
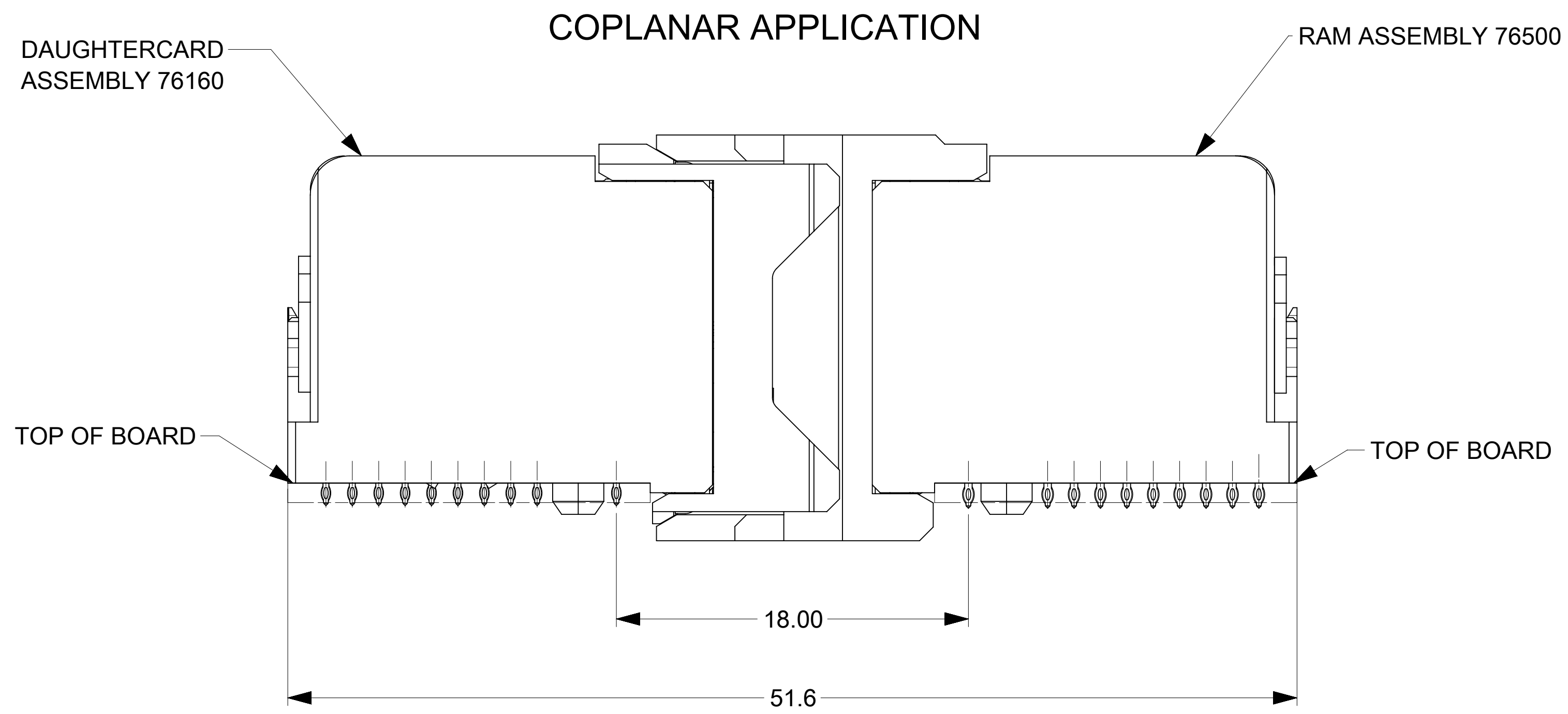
OPEN END OPTION



ENDWALL OPTION



THIS DRAWING CONTAINS INFORMATION THAT IS PROPRIETARY TO MOLEX ELECTRONIC TECHNOLOGIES, LLC AND SHOULD NOT BE USED WITHOUT WRITTEN PERMISSION											
DIMENSION UNITS: mm		SCALE: NTS		CURRENT REV DESC: REMASTERED TO NX							
GENERAL TOLERANCES (UNLESS SPECIFIED)				molex IMPACT 4 PAIR RAM GUIDE RIGHT SIGNAL MODULE SALES DWG							
ANGULAR TOL ± 0.5°				PRODUCT CUSTOMER DRAWING							
4 PLACES ±				EC NO: 705090				DOCUMENT NUMBER: SD-76500-004			
3 PLACES ±				DRWN: DYARAS 2021/12/13				DOC TYPE: PSD			
2 PLACES ± 0.13				CHK'D: YOGEEB 2022/02/17				DOC PART: 001			
1 PLACE ± 0.25				APPR: LZENG 2022/05/13				REVISION: F4			
0 PLACES ±				INITIAL REVISION: DRWN: JQUILES 2009/01/12				DOC PART: 001			
				APPR: JLAURX 2009/01/13				REVISION: F4			
DRAFT WHERE APPLICABLE MUST REMAIN WITHIN DIMENSIONS			THIRD ANGLE PROJECTION		DRAWING: D-SIZE		SERIES: 76500		MATERIAL NUMBER: SEE TABLE		CUSTOMER: GENERAL MARKET
DOCUMENT STATUS: P1			RELEASE DATE: 2022/05/13 03:06:37		SHEET NUMBER: 1 OF 2						



COPLANAR MATED SIGNAL PATHS

DC PIN A10-----RAM PIN A10

|

|

DC PIN A1-----RAM PIN A1

THIS DRAWING CONTAINS INFORMATION THAT IS PROPRIETARY TO MOLEX ELECTRONIC TECHNOLOGIES, LLC AND SHOULD NOT BE USED WITHOUT WRITTEN PERMISSION									
DIMENSION UNITS		SCALE		CURRENT REV DESC: REMASTERED TO NX					
mm		NTS		<p style="text-align: center;">molex</p> <p style="text-align: center;">IMPACT 4 PAIR RAM GUIDE RIGHT SIGNAL MODULE SALES DWG</p> <p style="text-align: center;">PRODUCT CUSTOMER DRAWING</p>					
GENERAL TOLERANCES (UNLESS SPECIFIED)									
ANGULAR TOL		± 0.5°							
4 PLACES		±							
3 PLACES		±							
2 PLACES		± 0.13							
1 PLACE		± 0.25		EC NO: 705090		2021/12/13			
0 PLACES		±		DRWN: DYARAS		2022/02/17			
DRAFT WHERE APPLICABLE				THIRD ANGLE PROJECTION		DRAWING		SERIES	
MUST REMAIN WITHIN DIMENSIONS						D-SIZE		76500	
DOCUMENT NUMBER				CUSTOMER		SHEET NUMBER		REVISION	
SD-76500-004				GENERAL MARKET		2 OF 2		F4	