

4

3

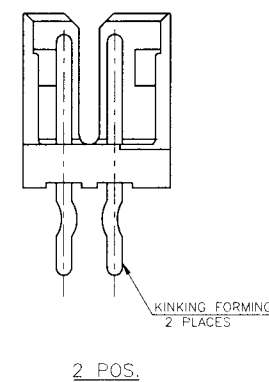
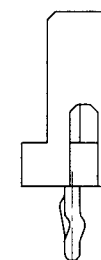
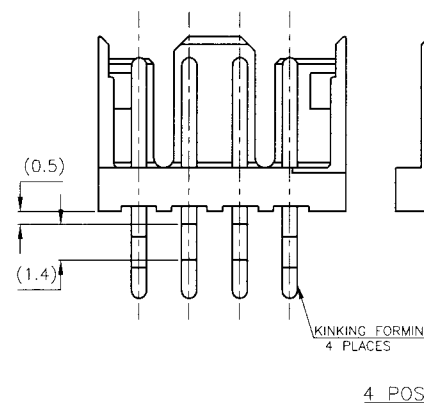
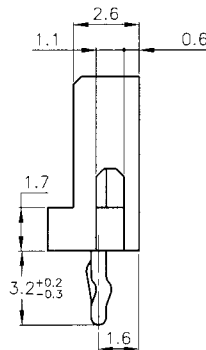
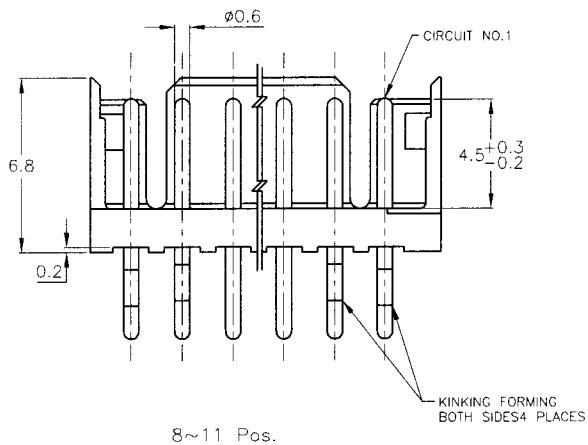
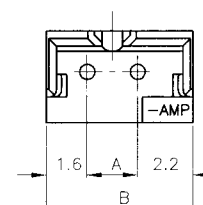
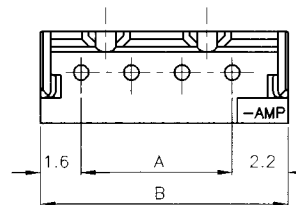
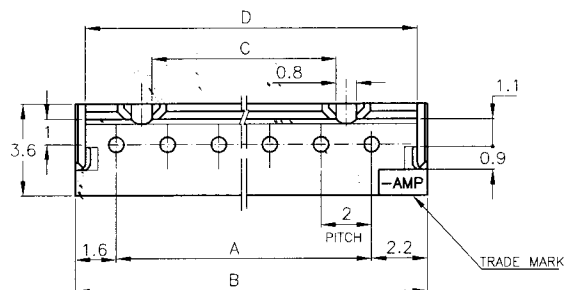
2

1

THIS DRAWING IS UNPUBLISHED. RELEASED FOR PUBLICATION
© COPYRIGHT BY TYCO ELECTRONICS CORPORATION. ALL RIGHTS RESERVED.

LOC FB DIST 00

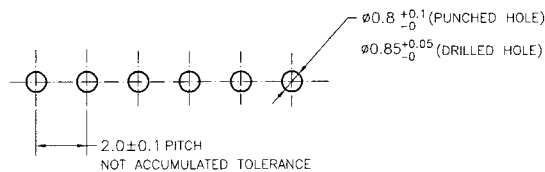
REVISIONS			DATE	OWN	APVD
P	LTR	DESCRIPTION			
0		RELEASED FB00-0013-03	23JAN03	J.J	T.S



NOTES:

- 1.MATERIAL: HOUSING - NYLON 66 (GF TYPE)
POST - TIN BRASS
- 2.APPLICABLE RECEPTACLE P/N 173977

1-292146-1	11	20	23.8	17.2	23.0
1-	-0	10	18	21.8	21.0
	-9	8	16	19.8	13.2
	-8	9	14	17.8	11.2
	-4	4	6	9.8	3.2
292146-2	2	2	5.8		5.0
PART NO.	Pos.	A	B	C	D



RECOMMENDABLE PCB LAYOUT (PCB THK:0.8-1.6)

TOLERANCES UNLESS OTHERWISE SPECIFIED:

10 > *	±0.2
30 > * > 10	±0.25
100 > * > 30	±0.3
ANGLE	±3'

THIS DRAWING IS A CONTROLLED DOCUMENT.

DIMENSIONS: MM	TOLERANCES UNLESS OTHERWISE SPECIFIED:	DWN S.XU 31JAN03	<p>Tyco Electronics Corporation SHANGHAI, CHINA</p>
MATERIAL	SEE NOTE	CHK S.YAO 31JAN03	
FINISH	SEE NOTE	APVD T. SASAKI 31JAN03	
SEE NOTE	SEE NOTE	NAME	
<p>10 PLC ±</p> <p>1 PLC ±</p> <p>2 PLC ±</p> <p>3 PLC ±</p> <p>4 PLC ±</p> <p>ANGLES ±</p>		<p>PRODUCT SPEC</p> <p>108-60016</p> <p>APPLICATION SPEC</p>	
<p>POST HEADER ASS'Y VERTICAL TYPE (AMP CT CONNECTOR 2mm PITCH)</p>		SIZE A3	CAGE CODE 00779
<p>CUSTOMER DRAWING</p>		DRAWING NO C-292146	RESTRICTED TO
<p>SCALE 5:1</p>		SHEET 1 OF 1	REV 0