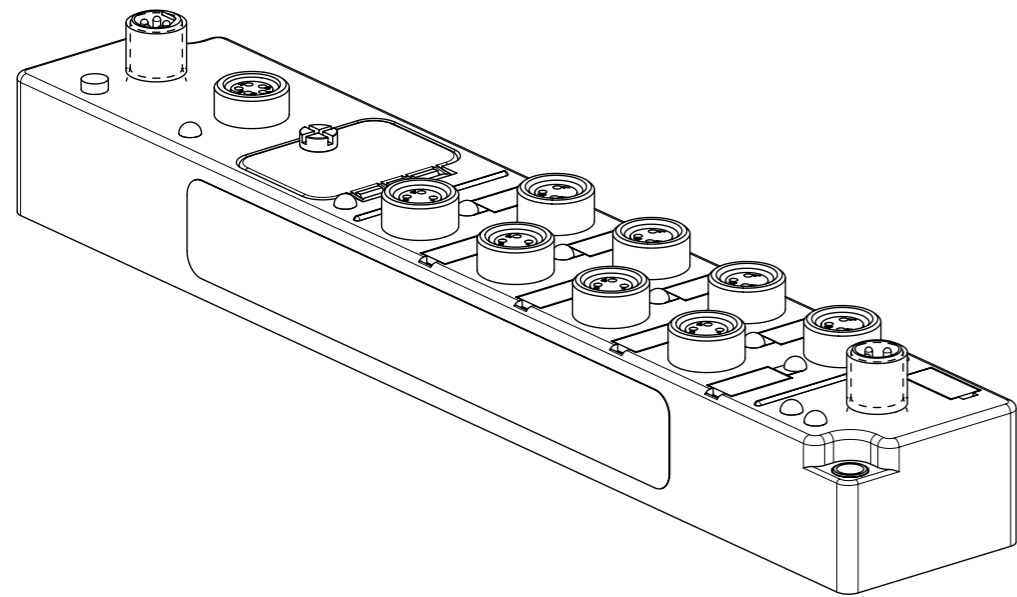
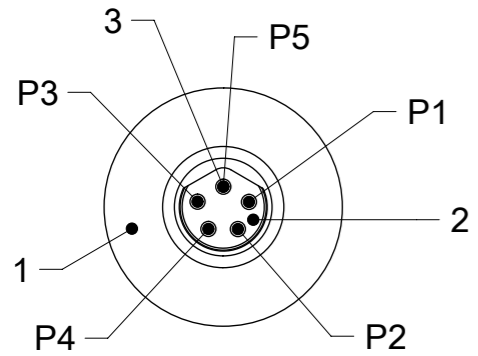


2x FIXING HOLES  
SUITABLE FOR M4  
SCREWS



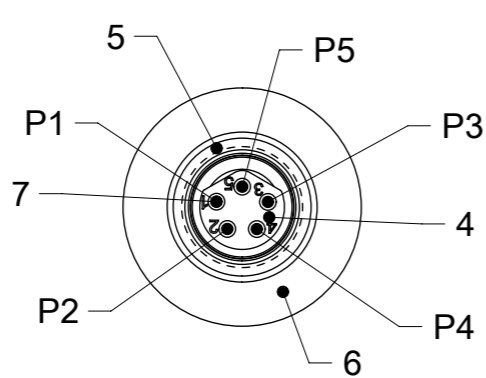
THIS DRAWING CONTAINS INFORMATION THAT IS PROPRIETARY TO MOLEX INCORPORATED AND SHOULD NOT BE USED WITHOUT WRITTEN PERMISSION											
EC DESCRIPTION EC NO: 101382 DRWN: AAHLERS CHK'D: RSILLER APP: RSILLER	2015/10/08	2015/10/16	2015/10/16	QUALITY SYMBOLS ▽ = 0 ▽ = 0 ▽ = 0 ▽ = 0 ▽ = 0 ▽ = 0 ▽ = 0 ▽ = 0 ▽ = 0	GENERAL TOLERANCES (UNLESS SPECIFIED)		DIMENSION UNITS	SCALE			
	ANGULAR TOL ± °		mm		1:1						
	4 PLACES ±	DRWN BY			DATE	<b>DBO DN FULL M8 POWER 30 MM M8 5P MA AC M8 5P FE AC M8 3P 8PT FE M8 3P MA</b>					
	3 PLACES ±	ULETTENMEIER			2015/03/24						
2 PLACES ±	CHK'D BY		DATE	<b>PRODUCT CUSTOMER DRAWING</b>							
1 PLACE ±	APPR BY		DATE								
0 PLACES ±	RSILLER		2015/05/20	SERIES	MATERIAL NUMBER	CUSTOMER	<b>112092</b> <b>SEE TABLE 1,2</b> <b>GENERAL MARKET</b>				
DRAFT WHERE APPLICABLE MUST REMAIN WITHIN DIMENSIONS		DRAWING SIZE	THIRD ANGLE PROJECTION	DOCUMENT NUMBER							
A1	REV	A3		1120925010			PSD	000	1 OF 4		

**A**  
BUS IN:  
1x MALE M8 5P B-CODE



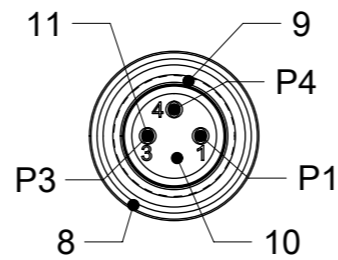
Wiring Information:  
P1: Drain (Shield)  
P2: 24VDC  
P3: CAN\_H  
P4: 0VDC  
P5: CAN\_L

**B**  
BUS OUT:  
1x FEMALE M8 5P B-CODE



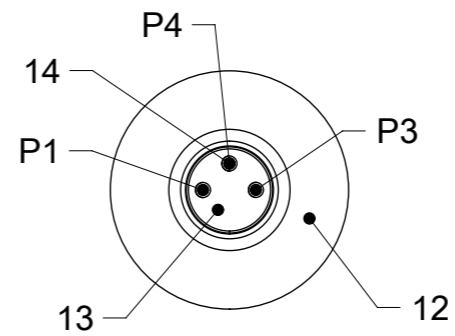
Wiring Information:  
P1: Drain (Shield)  
P2: 24VDC  
P3: CAN\_H  
P4: 0VDC  
P5: CAN\_L

**C**  
INPUT / OUTPUT:  
8x FEMALE M8 3P



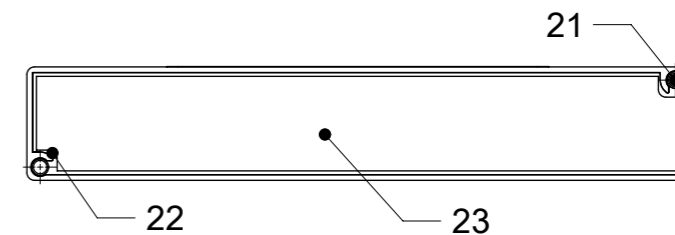
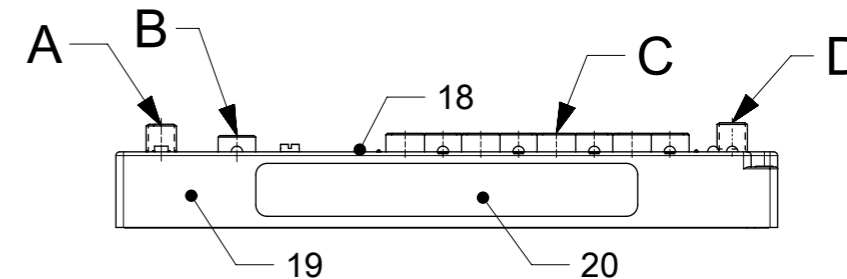
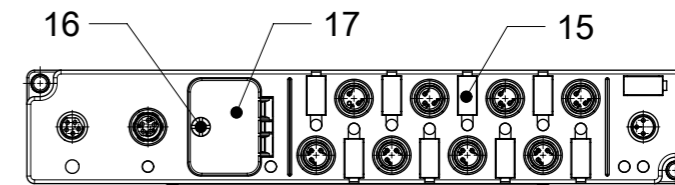
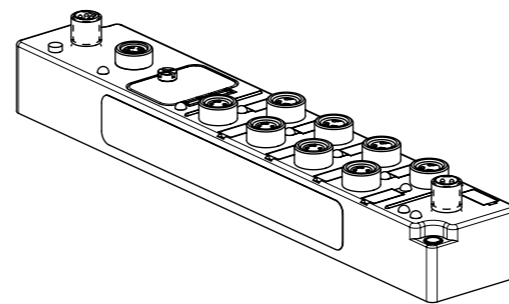
Wiring Information:  
P1: Input Power supply  
P3: GND  
P4: Input / Output

**D**  
POWER  
1X MALE M8 3P



P1: +24 VDC Module Output power  
P3: 0V (Ground)  
P4: PE (Protected Earth)

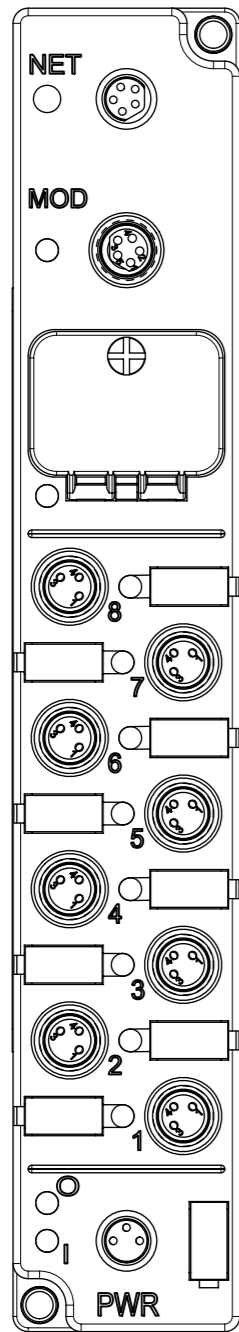
ITEM	DESCRIPTION	MATERIAL	FINISH
1	SHELL	BRASS	NICKEL PLATET
2	INSERT	TPU	TRANSPARENT
3	CONTACT	COPPER ALLOY	GOLD OVER NICKEL
4	INSERT	TPU	BLACK
5	GASKET	FKM	RED
6	SHELL	BRASS	NICKEL PLATET
7	CONTACT	COPPER ALLOY	GOLD OVER NICKEL
8	SHELL	BRASS	NICKEL PLATET
9	GASKET	FKM	RED
10	INSERT	TPU	BLACK
11	CONTACT	COPPER ALLOY	GOLD OVER NICKEL
12	SHELL	BRASS	NICKEL PLATET
13	INSERT	PA	TRANSPARENT
14	CONTACT	COPPER ALLOY	GOLD OVER NICKEL
15	LABEL	PC	WHITE
16	SCREW	V2A	V2A
17	WINDOW	PC	TRANSPARENT
18	LED	PA	TRANSPARENT
19	HOUSING	PBT	BLACK
20	LABEL	PVC	YELLOW
21	SLEEVE	BRASS	NICKEL
22	RESIN	EPOXY	TRANSPARENT
23	LABEL	PVC	WHITE



THIS DRAWING CONTAINS INFORMATION THAT IS PROPRIETARY TO MOLEX INCORPORATED AND SHOULD NOT BE USED WITHOUT WRITTEN PERMISSION										
EC DESCRIPTION EC NO: 101382 DRWN: AAHLERS CHK'D: RSILLER APPR: RSILLER	2015/10/08	2015/10/16	2015/10/16	QUALITY SYMBOLS ▽ = 0 ▽ = 0 ▽ = 0 ▽ = 0 ▽ = 0 ▽ = 0 ▽ = 0 ▽ = 0 ▽ = 0 ▽ = 0	GENERAL TOLERANCES (UNLESS SPECIFIED) ANGULAR TOL ± ° 4 PLACES ± 3 PLACES ± 2 PLACES ± 1 PLACE ± 0 PLACES ± DRAFT WHERE APPLICABLE MUST REMAIN WITHIN DIMENSIONS	DIMENSION UNITS	SCALE	 DBO DN FULL M8 POWER 30 MM M8 5P MA AC M8 5P FE AC M8 3P 8PT FE M8 3P MA PRODUCT CUSTOMER DRAWING SERIES: 112092 MATERIAL NUMBER: SEE TABLE 1,2 CUSTOMER: GENERAL MARKET DOCUMENT NUMBER: 1120925010 DOC TYPE: PSD DOC PART: 000 SHEET NUMBER: 2 OF 4		
	mm	1:1								
	DRWN BY	DATE								
	ULETTENMEIER	2015/03/24								
CHK'D BY	DATE	APPR BY	DATE	DRAWING SIZE	THIRD ANGLE PROJECTION					
RSILLER	2015/05/20	A3								

9 8 7 6 5 4 3 2 1

E  
D  
C  
B  
A



8 OUT

TABLE 1 8 OUT					
DeviceNet Full M8 POWER					
POWER TYPE	INPUT / OUTPUT		ENG.NO.	MOLEX P/N	3D MODEL NO.
M8 3 POLE	PNP	8O	TBDDN-808P-H44	1120925010	1120925010 (PDM)

THIS DRAWING CONTAINS INFORMATION THAT IS PROPRIETARY TO MOLEX INCORPORATED AND SHOULD NOT BE USED WITHOUT WRITTEN PERMISSION

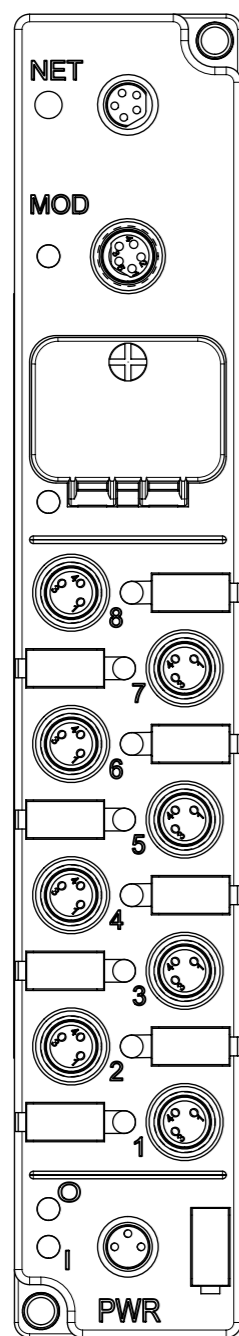
EC DESCRIPTION EC NO: 101382 DRWN: AAHLERS CHK'D: RSILLER APPR: RSILLER 2015/10/08 2015/10/16 2015/10/16	QUALITY SYMBOLS	GENERAL TOLERANCES (UNLESS SPECIFIED) ANGULAR TOL ± ° 4 PLACES ± 3 PLACES ± 2 PLACES ± 1 PLACE ± 0 PLACES ± DRAFT WHERE APPLICABLE MUST REMAIN WITHIN DIMENSIONS	DIMENSION UNITS	SCALE			
	▽ = 0 ▽ = 0 ▽ = 0 ▼ = 0 ▽ = 0 ☒ = 0 ■ = 0 ▽ = 0		mm	1:1			
			DRWN BY	DATE		DBO DN FULL M8 POWER 30 MM M8 5P MA AC M8 5P FE AC M8 3P 8PT FE M8 3P MA	
			ULETTENMEIER	2015/03/24			
	CHK'D BY	DATE	PRODUCT CUSTOMER DRAWING				
	RSILLER	2015/05/20					
		DRAWING SIZE	THIRD ANGLE PROJECTION	SERIES	MATERIAL NUMBER	CUSTOMER	
		A3		112092	SEE TABLE 1,2	GENERAL MARKET	
A1	REV			DOCUMENT NUMBER	DOC TYPE	DOC PART	SHEET NUMBER
				1120925010	PSD	000	3 OF 4

9 8 7 6 5 4 3 2 1

9 8 7 6 5 4 3 2 1

E  
D  
C  
B  
A

TABLE 2 4 IN / 4 OUT				
		DeviceNet Full M8 Power		
POWER TYPE	INPUT / OUTPUT	ENG.NO.	MOLEX P/N	3D MODEL NO.
M8 3 POLE	PNP 4 IN / 4 OUT	TBDDN-844P-H44	1120925013	1121015010 (PDM)



4 IN / 4 OUT

THIS DRAWING CONTAINS INFORMATION THAT IS PROPRIETARY TO MOLEX INCORPORATED AND SHOULD NOT BE USED WITHOUT WRITTEN PERMISSION											
EC DESCRIPTION EC NO: 101382 DRWN: AAHLERS CHK'D: RSILLER APPR: RSILLER 2015/10/08 2015/10/16 2015/10/16	QUALITY SYMBOLS ▽ = 0 ▽ = 0 ▽ = 0 ▼ = 0 ◻ = 0 ◼ = 0 ▽ = 0	GENERAL TOLERANCES (UNLESS SPECIFIED)		DIMENSION UNITS	SCALE						
		ANGULAR TOL ± °		mm	1:1						
		4 PLACES ±		DRWN BY	DATE	DBO DN FULL M8 POWER 30 MM M8 5P MA AC M8 5P FE AC M8 3P 8PT FE M8 3P MA					
		3 PLACES ±		ULETTENMEIER	2015/03/24						
		2 PLACES ±		CHK'D BY	DATE	PRODUCT CUSTOMER DRAWING					
1 PLACE ±		RSILLER	2015/05/20								
0 PLACES ±		APPR BY	DATE	SERIES	MATERIAL NUMBER	CUSTOMER					
DRAFT WHERE APPLICABLE MUST REMAIN WITHIN DIMENSIONS		DRAWING SIZE	THIRD ANGLE PROJECTION	112092	SEE TABLE 1,2	GENERAL MARKET					
A1	REV			A3			DOCUMENT NUMBER	DOC TYPE	DOC PART	SHEET NUMBER	
							1120925010	PSD	000	4 OF 4	

9 8 7 6 5 4 3 2 1