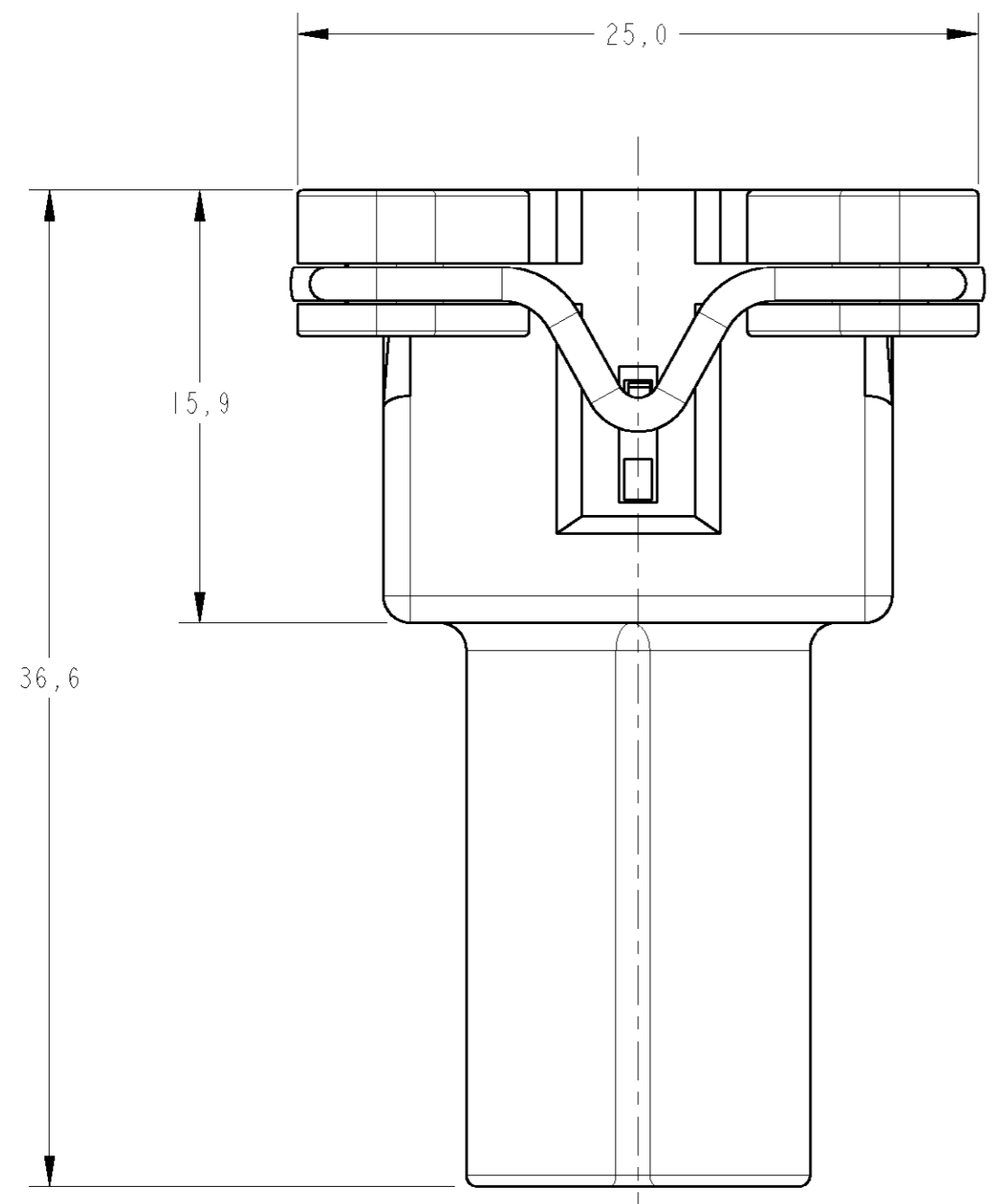
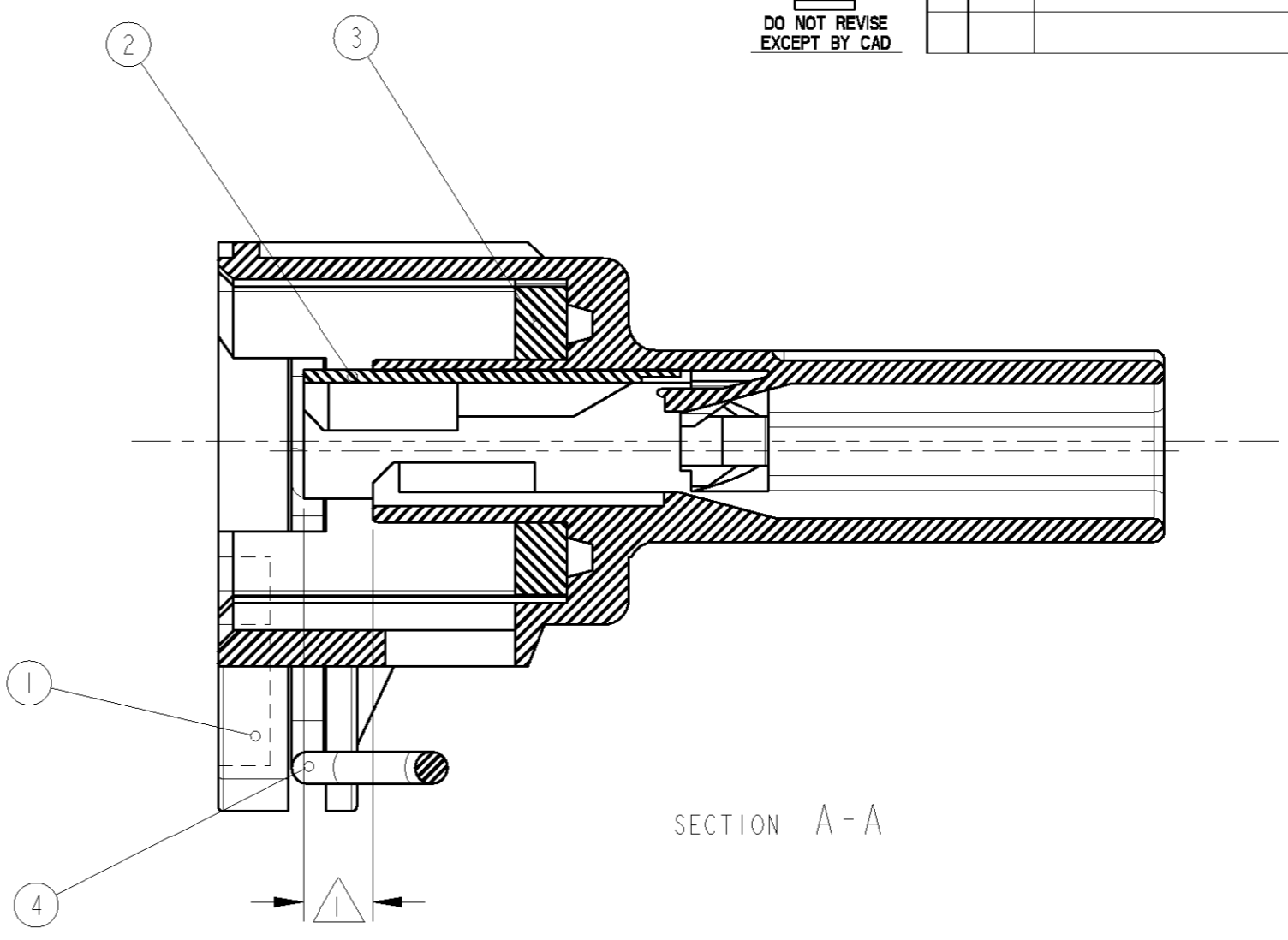
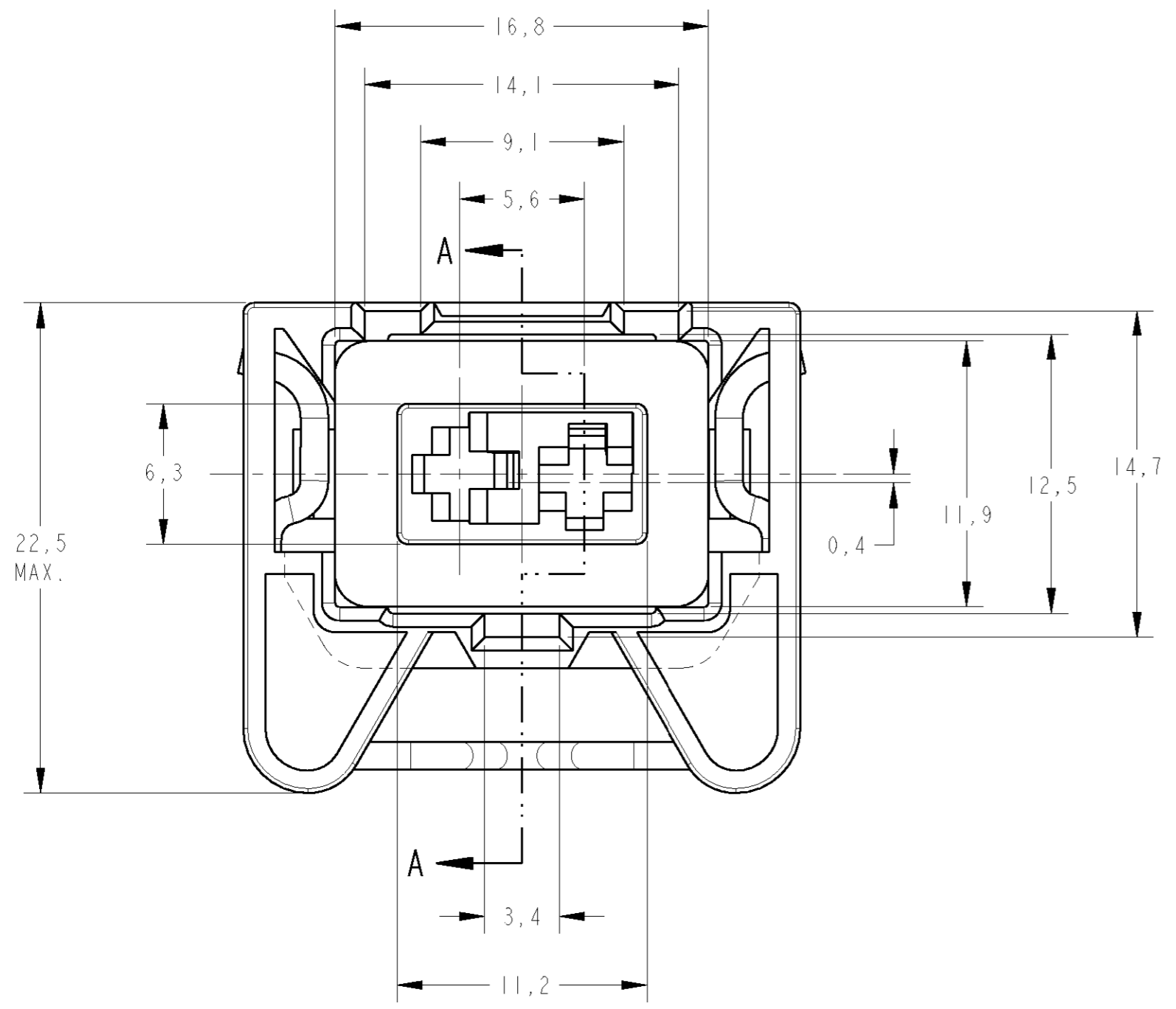


THIS DRAWING IS UNPUBLISHED. RELEASED FOR PUBLICATION 1992  
 © COPYRIGHT 2002 BY TYCO ELECTRONICS CORPORATION. ALL RIGHTS RESERVED.

| LOC | DIST | REVISIONS |     |                        |           |     |      |
|-----|------|-----------|-----|------------------------|-----------|-----|------|
| AP  | -    | P         | LTR | DESCRIPTION            | DATE      | DWN | APVD |
|     |      |           | DI  | REVISED BY ECLB0427/01 | 15FEB2002 | AP  | PLF  |

**CAD**  
**ProcE**  
 DO NOT REVISE  
 EXCEPT BY CAD



PERSPECTIVE VIEWS  
 SCALE 1:1

- △ - A POSIÇÃO DE PRÉ-MONTAGEM DEVE SER MANTIDA ENTRE OS ITENS 1 E 2, COMO SERÃO FORNECIDOS.
- 2 - GRAVAÇÕES QUE DEVEM CONSTAR, CONF. TABELA AO LADO.
- 3 - CAVIDADE PARA TERMINAL JUNIOR POWER TIMER COM WIRE SEAL.
- △ - THE PRE MOUNTING POSITION MUST BE MAINTAINED WITHIN ITENS 1 AND 2, AS WILL SUPPLIED.
- 2 - MARKINGS ACC. BESIDE TABLE.
- 3 - CAVITY FOR JUNIOR POWER TIMER WITH WIRE SEAL.

| GRAVAÇÃO MARKING                                  |
|---|
| LOGOTIPO AMP<br>AMP LOGO                          |
| CÓDIGO PAÍS PRODUTOR<br>MANUFACTURER COUNTRY CODE |
| NÚMERO COMPONENTE AMP<br>AMP COMPONENT NUMBER     |
| NÚMERO CAVIDADE<br>CAVITY NUMBER                  |
| IDENTIFICAÇÃO CIRCUITO<br>CIRCUIT IDENTIFICATION  |
| PAÍS PRODUTOR<br>MANUFACTURER COUNTRY             |

| ITEM | DESCRIPTION              | MATERIAL                   | FINISH                   |
|------|--------------------------|----------------------------|--------------------------|
| 4    | SPRING 2 POSN., JPT      | AÇO INOX / STAINLESS STEEL | — / —                    |
| 3    | RUBBER SEAL              | SILICONE                   | LARANJA / ORANGE         |
| 2    | SPACER 2 POSN. 90°, JPT  | PBT                        | AMARELO / YELLOW         |
| 1    | HOUSING 2 POSN. 90°, JPT | PBT+30% F.V. / G.F.        | AMARELO / YELLOW         |
| 1    | HOUSING 2 POSN. 90°, JPT | PBT+30% F.V. / G.F.        | VERDE / GREEN            |
| 1    | HOUSING 2 POSN. 90°, JPT | PBT+30% F.V. / G.F.        | AZUL / BLUE              |
| 1    | HOUSING 2 POSN. 90°, JPT | PBT+30% F.V. / G.F.        | MARROM / BROWN           |
| 1    | HOUSING 2 POSN. 90°, JPT | PBT+30% F.V. / G.F.        | CINZA CLARO / LIGHT GRAY |
| 1    | HOUSING 2 POSN. 90°, JPT | PBT+30% F.V. / G.F.        | VERMELHO / RED           |
| 1    | HOUSING 2 POSN. 90°, JPT | PBT+30% F.V. / G.F.        | NATURAL                  |
| 1    | HOUSING 2 POSN. 90°, JPT | PBT+30% F.V. / G.F.        | PRETO / BLACK            |

| REQ. PER ASSY |    | ITEM | DESCRIPTION | MATERIAL | FINISH |    |    |    |  |  |  |
|---------------|----|------|-------------|----------|--------|----|----|----|--|--|--|
| -9            | -8 | -7   | -6          | -5       | -4     | -3 | -2 | -1 |  |  |  |
| 444071        |    |      |             |          |        |    |    |    |  |  |  |

|  |  |  |  |
|--|--|--|--|
| THIS DRAWING IS A CONTROLLED DOCUMENT FOR TYCO ELECTRONICS CORPORATION IT IS SUBJECT TO CHANGE AND THE CONTROLLING ENGINEERING ORGANIZATION SHOULD BE CONTACTED FOR THE LATEST REVISION. |  | DWN<br>A. PERUSSI 15FEB02  | AMP do Brasil LTDA.<br>Sao Paulo, Brasil |
| DIMENSIONS: mm   |  | CHK<br>P. L. FARIA 15FEB02   |  |
| TOLERANCES UNLESS OTHERWISE SPECIFIED:   |  | APVD<br>D. A. OLIVEIRA 15FEB02   |  |
| 0 PLC ±<br>1 PLC ±0,2<br>2 PLC ±<br>3 PLC ±<br>4 PLC ±<br>ANGLES ±°<br>FINISH SEE TABLE  |  | PRODUCT SPEC - / -<br>APPLICATION SPEC - / -<br>WEIGHT - / -<br>CUSTOMER DRAWING |  |
| MATERIAL SEE TABLE   |  | NAME<br>HOUSING ASS'Y., 2 POSN. JUNIOR POWER TIMER                               | RESTRICTED TO - / -                      |
|  |  | SIZE<br>A2   | CAGE CODE<br>00779                       |
|  |  | DRAWING NO.<br>444071  | SCALE<br>4:1                             |
|  |  | SHEET<br>1   | OF<br>1                                  |
|  |  | REV<br>DI  |  |

444071