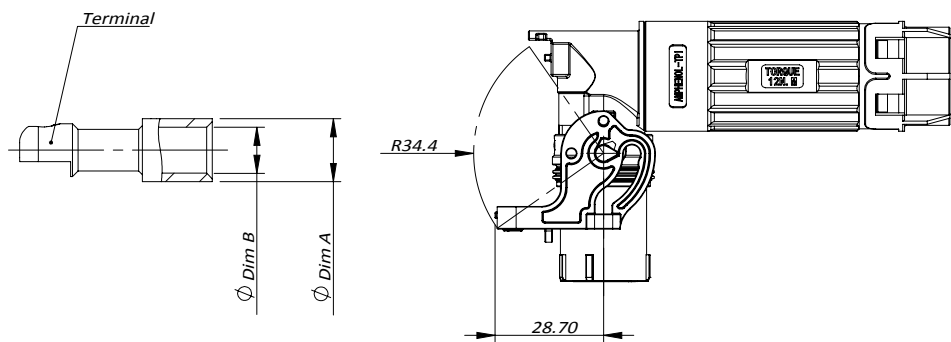
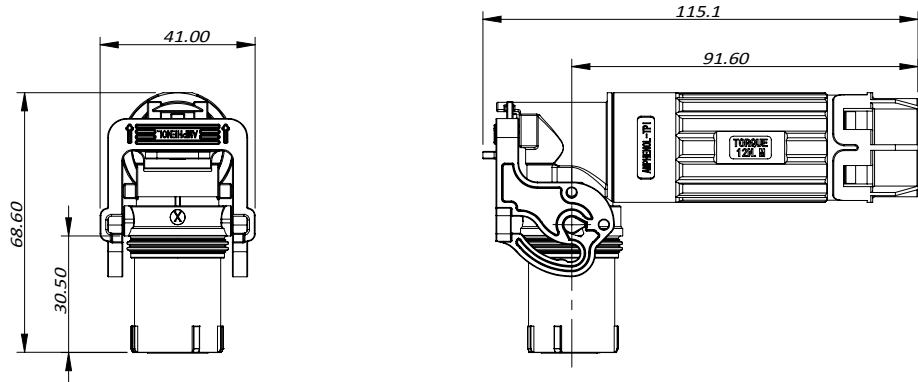
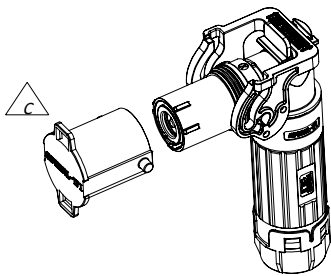


THIS DRAWING IS SUPPLIED FOR INFORMATION ONLY. DESIGN FEATURES, SPECIFICATIONS AND PERFORMANCE DATA SHOWN HEREON ARE THE PROPERTY OF THE AMPHENOL CORPORATION. NO RIGHTS OF REPRODUCTION ARE IMPLIED. ALL DIMENSIONS ARE SUBJECT TO NORMAL MANUFACTURING VARIATIONS.

# CUSTOMER DRAWING



REVISIONS					
REV#	ECN#	REVISION ACTION	REV.BY:	APPR.BY:	DATE
A	--	INITIAL RELEASE	Jack	James	03/09/2020
B	--	增加表格信息	Star	James	10/29/2020
C	--	Add Package specification P/N And Add Dust Cap Protection Cap	Star	JL	03/04/2021

## 订购信息 Ordering Information

PL28 **X** - 30 **1** - 70 - 2 -5

Key and Color	HVIL	Cable size:	Cable Type:
"X", Orange	"0", NO HVIL	"70"=70mm <sup>2</sup>	"-5", Huber+Suhner
"Y", Black	"1", With HVIL	"50"=50mm <sup>2</sup>	
"U", Yellow			
"V", Green			
"W", Red			
"T", Blue			

- 规格参数(Spec.):
1. 工作温度 Operating temperature: -40°C ~ +125°C.
  2. 带高压互锁 Electrical interlock (HVIL).
  3. 额定电流 Current rating:  
Power: 50mm<sup>2</sup>, 200A; 70mm<sup>2</sup>, 250A; HVIL: 5A.
  4. 额定电压 Operating voltage:  
Power: 1000 VDC; Signal: 60 VDC.
  5. 耐电压 Dielectric withstanding voltage:
    - A. 与插座对插后, Pin与铁壳之间  
When mated, between pin and metal shell: 5000 VDC.
    - B. 与插座对插后, Pin与HVIL之间  
When mated, between pin and HVIL: 5000 VDC.
    - C. 与插座对插后, HVIL与铁壳之间  
When mated, between HVIL and metal shell: 500 VDC.
    - D. 与插座对插前, 两个HVIL端子之间耐压  
Before mating, between two HVIL terminals: 500 VDC.
  6. 防护等级 Protection class: Mated-IP6k9k & IP67, unmated-IP2X.
  7. 电磁屏蔽 360° full Shielding.
  8. 机械寿命 Mating cycle: 100 Min.
  9. 带CPA摇杆系统 Latch system with CPA.
  10. 绝缘材料满足UL94 V-0 Inner insulation material satisfy UL94V-0.
  11. 镀锌/锌镍合金, 符合RoHS, 满足500H中性盐雾实验  
Gray Zinc/Nickel(ZnNi) Plating. RoHS compliant, Rated at 500hours salt spray.

### Standard Part List:

Model No.	H+S Part No.	Dia. Primary Insulation(mm)	Dia. of Screen max. (mm)	Overall-Dia. Nominal(mm)	Outside-Dia. of terminal(mm): "A"	Inside-Dia. of terminal(mm): "B"
PL28(X)-30X-70-2-5	84100298	13.7±0.3	14.6	17.0±0.3	16.7±0.3	12.2±0.3
PL28(X)-30X-50-2-5	84096257	11.5±0.3	12.6	14.9±0.3	14.0±0.3	10.0±0.3

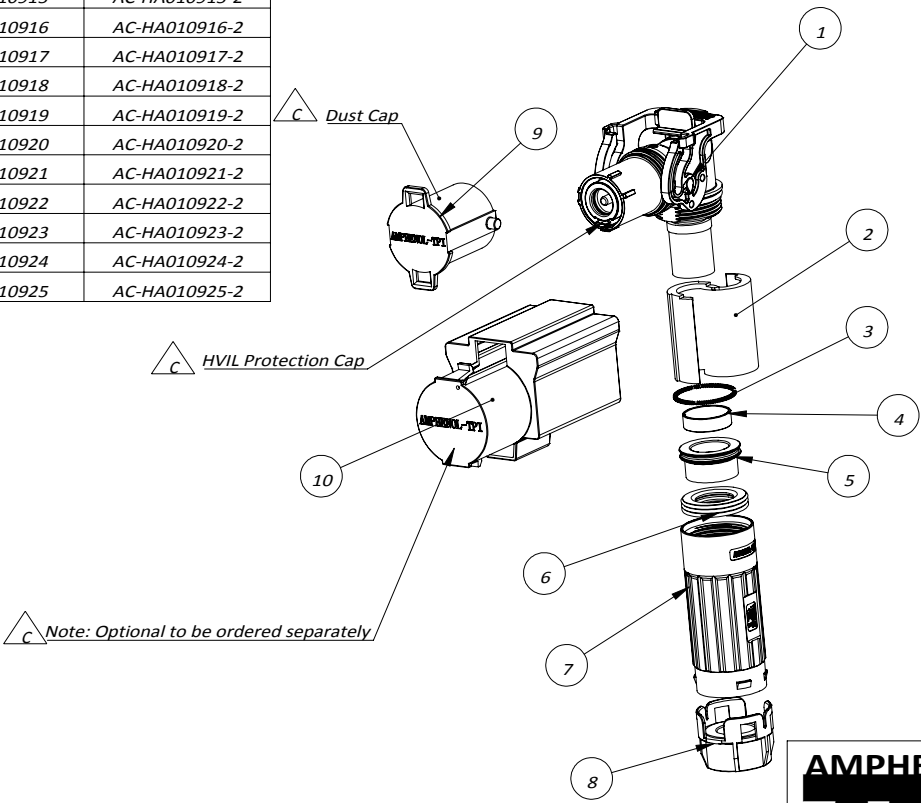
		Amphenol Technical Products International Asia.					PART NAME:	
		第三角投影 THIRD ANGLE PROJECTION	页面 SHEET	幅面 SIZE	版次 REV.	比例 SCALE	PL300 G2 1POS Right Angle Plug	
签名 SIGNATURE		日期 DATE		UNLESS OTHERWISE SPECIFIED		DWG NO:		
制图 DRAWN		Star		03/04/2021		PL28X-30X-XX-2-5		
审核 CHECKED				1. PL DEC ± 1.00 2. PL DEC ± 0.50 3. PL DEC ± 0.20		CUST PART #		
批准 APPROVAL				Angles ±1°		CUST REV.		

THIS DRAWING IS SUPPLIED FOR INFORMATION ONLY. DESIGN FEATURES, SPECIFICATIONS AND PERFORMANCE DATA SHOWN HEREON ARE THE PROPERTY OF THE AMPHENOL CORPORATION. NO RIGHTS OF REPRODUCTION ARE IMPLIED. ALL DIMENSIONS ARE SUBJECT TO NORMAL MANUFACTURING VARIATIONS.

1	2	3
型号 Model	Kit Package P/N	Bulk Package P/N
PL28X-300-50-2-5	AC-HA010890	AC-HA010890-2
PL28Y-300-50-2-5	AC-HA010891	AC-HA010891-2
PL28U-300-50-2-5	AC-HA010892	AC-HA010892-2
PL28V-300-50-2-5	AC-HA010893	AC-HA010893-2
PL28W-300-50-2-5	AC-HA010894	AC-HA010894-2
PL28T-300-50-2-5	AC-HA010895	AC-HA010895-2
PL28X-300-70-2-5	AC-HA010896	AC-HA010896-2
PL28Y-300-70-2-5	AC-HA010897	AC-HA010897-2
PL28U-300-70-2-5	AC-HA010898	AC-HA010898-2
PL28V-300-70-2-5	AC-HA010899	AC-HA010899-2
PL28W-300-70-2-5	AC-HA010900	AC-HA010900-2
PL28T-300-70-2-5	AC-HA010901	AC-HA010901-2
PL28X-301-50-2-5	AC-HA010914	AC-HA010914-2
PL28Y-301-50-2-5	AC-HA010915	AC-HA010915-2
PL28U-301-50-2-5	AC-HA010916	AC-HA010916-2
PL28V-301-50-2-5	AC-HA010917	AC-HA010917-2
PL28W-301-50-2-5	AC-HA010918	AC-HA010918-2
PL28T-301-50-2-5	AC-HA010919	AC-HA010919-2
PL28X-301-70-2-5	AC-HA010920	AC-HA010920-2
PL28Y-301-70-2-5	AC-HA010921	AC-HA010921-2
PL28U-301-70-2-5	AC-HA010922	AC-HA010922-2
PL28V-301-70-2-5	AC-HA010923	AC-HA010923-2
PL28W-301-70-2-5	AC-HA010924	AC-HA010924-2
PL28T-301-70-2-5	AC-HA010925	AC-HA010925-2

△ C

REVISIONS					
REV#	ECN#	REVISION ACTION	REV.BY:	APPR.BY:	DATE
A	--	INITIAL RELEASE	Jack	James	03/09/2020
B	--	增加表格信息	Star	James	10/29/2020
C	--	Add Package specification P/N And Add Dust Cap Protection Cap	Star	JL	03/04/2021



10	PL300 G2 1 POS plug protection cap	1	Order P/N AC-CP001615
9	PL300 G2 Dust cover for Plug	1	
8	PL300 G2 R/A Tail Cap H+S cable	1	Different P/N are used according to different Cable sizes
7	PL300 G2 Back Shell 14mm-90	1	Different P/N are used according to different Cable sizes
6	PL300 G2 cale sealing	1	Different P/N are used according to different Cable sizes
5	PL300 G2 Outer Copper Ring for R/A Plug	1	Different P/N are used according to different Cable sizes
4	PL300 G2 Inner Copper Ring	1	Different P/N are used according to different Cable sizes
3	PL300 G2 Canted Coil Spring for Plug	1	
2	PL300 G2 Plastic set	2	
1	PL300 G2 Front Shell 14mm-90 Assy	1	Different P/N are used according to different Cable sizes
ITEM	DESCRIPTION	QTY	REMARK

MATERIALS LIST

		<b>Amphenol Technical Products International Asia.</b>				<b>PART NAME:</b> PL300 G2 1POS Right Angle Plug	
		第三角投影 <b>THIRD ANGLE PROJECTION</b>	页面 <b>SHEET</b>	幅面 <b>SIZE</b>	版次 <b>REV.</b>	比例 <b>SCALE</b>	<b>DWG NO:</b> PL28X-30X-XX-2-5
签名 <b>SIGNATURE</b> 制图 <b>DRAWN</b> 审核 <b>CHECKED</b> 批准 <b>APPROVAL</b>		日期 <b>DATE</b> 03/04/2021		UNLESS OTHERWISE SPECIFIED 1) All dimensions are in metric (mm). 2) Tolerances are as follows: 1.PL DEC ± 1.00 2.PL DEC ± 0.50 3.PL DEC ± 0.20		<b>CUST PART #</b>  <b>CUST REV.</b>	
				Angles ±1°			