

THIS DRAWING AND THE INFORMATION SET FORTH HEREON ARE THE PROPERTY OF TYCO ELECTRONICS CORPORATION, AND ARE TO BE HELD IN TRUST AND CONFIDENCE. PUBLICATION, DUPLICATION, DISCLOSURE, OR USE FOR ANY PURPOSE NOT EXPRESSLY AUTHORIZED IN WRITING BY TYCO ELECTRONICS IS PROHIBITED.

REVISIONS			
LTR	DESCRIPTION	DATE	APPROVE
A	INITIAL RELEASE PER ECO-08-030795	09DEC2008	
B	REVISED PER ECO-09-000788	12JAN2009	
C	PER ECO-10-006366	3/24/2010	M.HIGGY


NOTES:

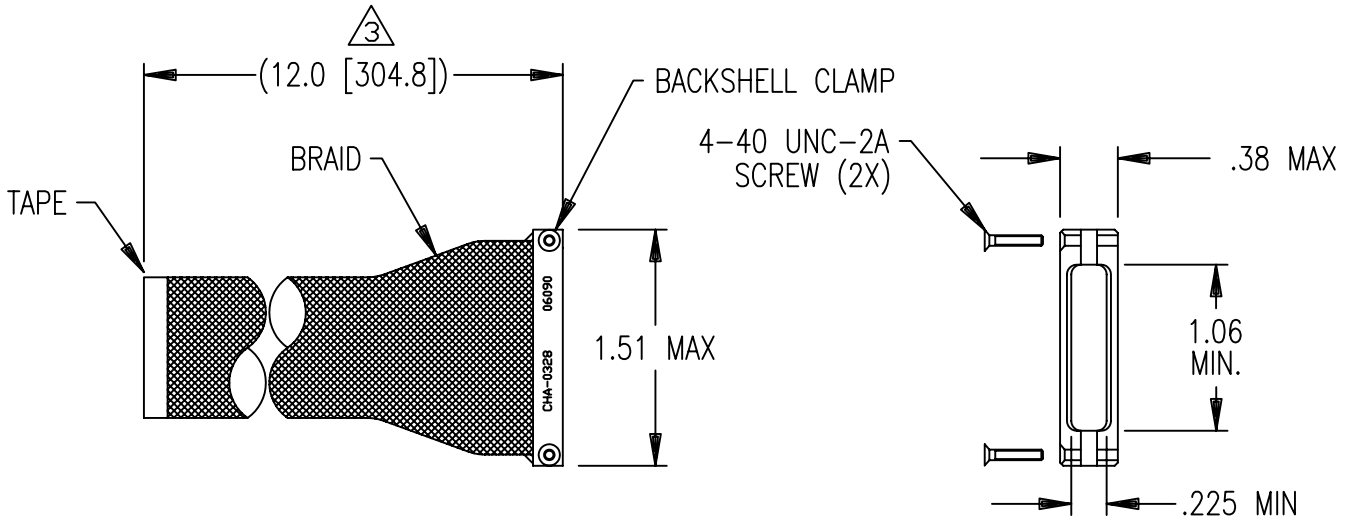
1. MATERIALS:

- 1.1. BACKSHELL: ALUMINUM ALLOY 6061-T651 PER ASTM B209.
 - 1.1.1. PLATING: CADMIUM PER TYCO ELECTRONICS ES-22260 (CADMIUM OVER NICKEL, CHROMATE CONVERSION COATING).
 - 1.1.1.1. CADMIUM PER SAE AMS-QQ-P-416, TYPE II, THICKNESS: .0004-.0007.
 - 1.1.1.2. NICKEL PER SAE AMS-C-26074, THICKNESS: .0002-.0003.
- 1.2. BRAID PER AA59569R36N1000, 36 AWG.
 - 1.2.1. BRAID PLATING: NICKEL PER ASTM B355, CLASS 4.
- 1.3. SCREW: CRES PER SAE AMS-QQ-P-763, CLASS 302.
 - 1.3.1. THREAD: 4-40 UNC-2A.
 - 1.3.2. PASSIVATION PER SAE AMS-QQ-P-35.
 - 1.3.3. LOCKING PATCH PER MIL-DTL-18240, TYPE P, 230°C.
- 1.4. SOLDER: Sn96 PER ANSI J-STD-006.

1. SCREWS ARE SHIPPED LOOSE.

2. BRAID LENGTH APPLIES TO FLAT, AS SUPPLIED, MATERIAL CONDITION.


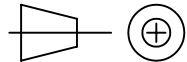
 TAPE IS INSTALLED FOR TEMPORARY PROTECTION OF THE BRAID AND SHALL BE REMOVED BY THE CUSTOMER.



If this document is printed it becomes uncontrolled. Check for the latest revision

©2008-2010 Tyco Electronics Corporation. All rights reserved.

CUSTOMER DRAWING

UNLESS OTHERWISE SPECIFIED DIMENSIONS ARE IN INCHES. METRIC DIMENSIONS ARE IN BRACKETS. DECIMALS .XXX ± _____ .XX ± _____ ANGLES _____ WEIGHT TBD	DRAWN	T RATZLAFF	09DEC2008		Raychem Interconnect 300 Constitution Drive Menlo Park, CA 94025 U.S.A			
	TITLE				BACKSHELL, 1 INCH EMI SUPPRESSING MTC AND MTCR SERIES			
	RPN:			CN0643-000	SIZE	CODE IDENT. NO.	DWG. NO.	REV
	CAD NAME:			CHA-0328-CD.DWG	A	06090	CHA-0328	C
THIRD ANGLE PROJECTION				DO NOT SCALE THIS DRAWING			SHEET 1 OF 1	