

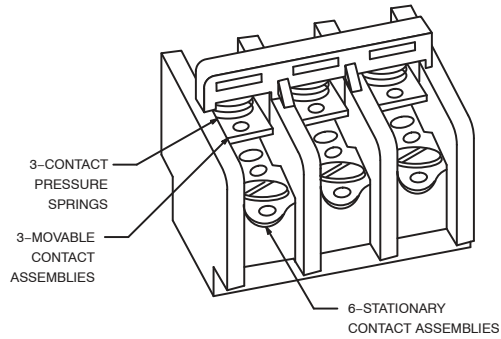
# Accessories

## RLY9203

**Features:**

- For RLY600 Series

## Replacement Contacts for Contactors



## RLY9204

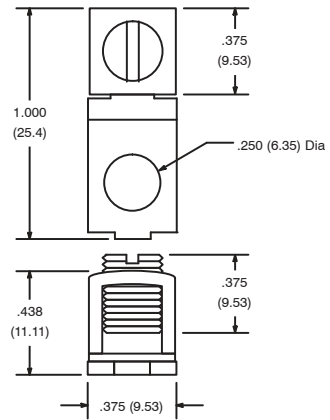
**Features:**

- For RLY400 Series

**Electrical Rating:**

Maximum Wire Size #14 AWG

## Box Lug for Contactors

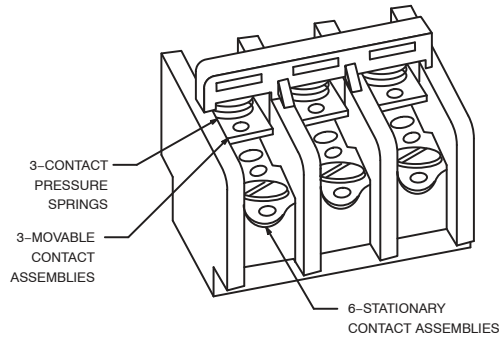


## RLY9205

**Features:**

- For RLY400 Series

## Replacement Contacts for Contactors



## RLY9206

**Features:**

- For RLY400 Series

**Electrical Rating:**

Contacts ..... SPDT  
Maximum Current .. 10A @ 250 VAC

## 1 Auxiliary Switch for Contactor Applications

