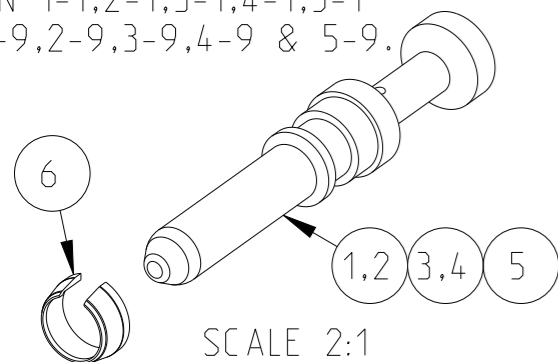
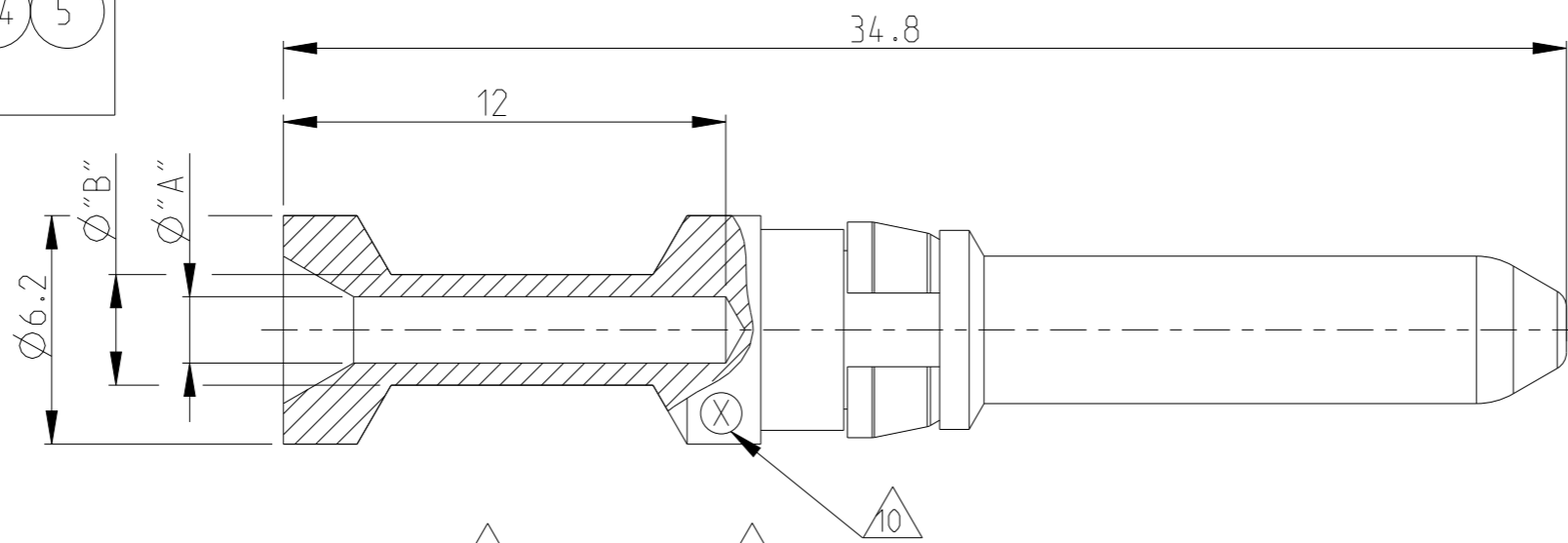


| P | LTR | DESCRIPTION | DATE | DWN | APVD |
|----|-----|---------------|-----------|-----|------|
| A7 | | ECR-23-165772 | 09FEB2023 | RK | JB |

PN 1-1,2-1,3-1,4-1,5-1
1-9,2-9,3-9,4-9 & 5-9.



△12 OBSOLETE



Notes

- △1 MATERIAL: BRASS
- △2 FINISH SILVER PLATING: 2 µm Ag MIN. OVER Cu
- △3 ASSEMBLY WEIGHT SEE TABLE. VOLUME: 479mm³ (APPROX.)
- △4 PACKAGING: 25 PIECES IN A POLY-BAG AND CARTON
- 5 SUITABLE SOCKET CONTACT: PN 1108756
- 6 SUITABLE INSERTS: SERIES HSK
- 7 SUITABLE CRIMPING TOOL: PN 1-1105850-8
- 8 SUITABLE INSERTION TOOL: PN 0-1102855-6
- 9 SUITABLE EXTRACTION TOOL: PN 0-1102855-8
- △10 CROSS-SECTION MARKING
- 11 STANDARDS: DIN EN 61984, DIN EN 60664-1

| | | | | | | | | | | △12 | △12 | | | | | | | | 6 |
|------------------------------------|-----------------------------------|-----------------------------------|-------------------------------------|-------------------------------------|------------------------------------|-----------------------------------|-----------------------------------|-------------------------------------|-------------------------------------|---------|-------------|--------------------|----------------|------------|------|------------------------|------------------------|------------------|---------|
| 5-9 | 4-9 | 3-9 | 2-9 | 1-9 | 5-1 | 4-1 | 3-1 | 2-1 | 1-1 | | Ni | CLIP | - | - | - | - | - | - | 6 |
| 1 | 1 | 1 | 1 | 1 | 1 | 1 | 1 | 1 | 1 | | | | | | | | | | |
| | | | | | 1 | | | | | | | PIN CONTACT | 10 | 0.0041 | 4.35 | 5.9 | 8 | 12 | 5 |
| | 1 | | | | | | 1 | | | | | PIN CONTACT | 6.0 | 0.0041 | 3.5 | 4.9 | 7 | 12 | 4 |
| | | 1 | | | | | | 1 | | | Ag | PIN CONTACT | 4.0 | 0.0041 | 2.85 | 3.9 | 6 | 12 | 3 |
| | | | 1 | | | | | | 1 | | △2 | PIN CONTACT | 2.5 | 0.0039 | 2.2 | 3.2 | 5 | 12 | 2 |
| | | | | 1 | | | | | | | | PIN CONTACT | 1.5 | 0.0040 | 1.8 | 3.0 | 4 | 12 | 1 |
| | | | | | | | | | | | | [MM ²] | | | "A" | "B" | CROSS-SECTION MARKINGS | (MM) | ITEM NO |
| △4 HS.K-C-Sti.Ag 10mm ² | △4 HS.K-C-Sti.Ag 6mm ² | △4 HS.K-C-Sti.Ag 4mm ² | △4 HS.K-C-Sti.Ag 2.5mm ² | △4 HS.K-C-Sti.Ag 1.5mm ² | △4 HS.K-C-Sti.Ag 10mm ² | △4 HS.K-C-Sti.Ag 6mm ² | △4 HS.K-C-Sti.Ag 4mm ² | △4 HS.K-C-Sti.Ag 2.5mm ² | △4 HS.K-C-Sti.Ag 1.5mm ² | PLATING | DESCRIPTION | CROSS SECTION | WEIGHT IN (Kg) | DIMENSIONS | | CROSS-SECTION MARKINGS | | STRIPPING-LENGTH | |
| | | | | | | | | | | | | | △3 | | | △10 | | | |

THIS DRAWING IS A CONTROLLED DOCUMENT.

DWN SCHWEIGER 03Mar2008

CHK H.BRAUN 03Mar2008

APVD T. SCHNURPFIL 03Mar2008

PRODUCT SPEC 108-74004

APPLICATION SPEC 114-74003

WEIGHT -

CUSTOMER DRAWING

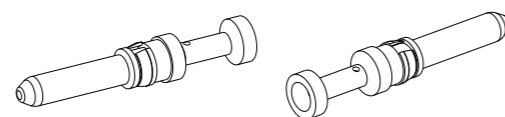


TE Connectivity

NAME
PIN CONTACT
SERIES HSK

SIZE A3 CAGE CODE 00779 DRAWING NO. C=1108757 RESTRICTED TO -

SCALE 5:1 SHEET 1 OF 1 REV A7



SCALE 1:1

| DIMENSIONS: | | TOLERANCES UNLESS OTHERWISE SPECIFIED: | |
|-------------|--|--|---|
| mm | | n. ISO 2768-mS | ± |
| | | n. ISO 2768-mH-E | ± |
| | | n. DIN 16901 | ± |
| | | 0 PLC | ± |
| | | 1 PLC | ± |
| | | 2 PLC | ± |
| | | 3 PLC | ± |
| | | 4 PLC | ± |
| | | ANGLES | ± |
| MATERIAL | | FINISH | |
| △1 | | △2 | |