

# XS130BLNAL2

inductive sensor XS1 M30, L57mm, brass,  
Sn10mm, 12..24VDC, cable 2m



## Main

|                               |   |
|-------------------------------|---|
| Range of Product              | Telemecanique Inductive proximity sensors XS    |
| Series name                   | General purpose                                 |
| Sensor Type                   | Inductive proximity sensor                      |
| Sensor name                   | XS1   |
| Sensor design                 | Cylindrical M30                                 |
| Size                          | 57 mm   |
| Body type                     | Fixed   |
| Enclosure Material            | Nickel Plated Brass                             |
| Type of output signal         | Discrete  |
| Wiring Technique              | 3-wire  |
| [Sn] nominal sensing distance | 0.39 in (10 mm)                                 |
| Discrete output function      | 1 NO  |
| Discrete output type          | NPN   |
| Electrical connection         | Cable   |
| Cable length                  | 6.56 ft (2 m)                                   |
| [Us] rated supply voltage     | 12...24 V DC reverse polarity protection        |
| Switching capacity in mA      | <= 200 mA overload and short-circuit protection |
| IP degree of protection       | IP67 conforming to IEC 60529                    |

## Complementary

|                                    |                            |
|------------------------------------|----------------------------|
| ISO thread                         | M30 x 1.5                  |
| Detection face                     | Frontal                    |
| Detector flush mounting acceptance | Flush mountable            |
| Material                           | Metal                      |
| Front material                     | PBT                        |
| Operating zone                     | 0.00...0.31 in (0...8 mm)  |
| Differential travel                | 1...15% of Sr              |
| Output circuit type                | DC                         |
| Cable composition                  | 3 x 0.14 mm <sup>2</sup>   |
| Wire insulation material           | PVC                        |
| Status LED                         | Output state 1 LED yellow) |
| Supply voltage limits              | 10...36 V DC               |
| Switching frequency                | <= 500 Hz                  |
| Maximum voltage drop               | <2 V closed)               |
| Current consumption                | <= 10 mA no-load           |
| Maximum delay first up             | 15 ms                      |
| Maximum delay response             | 0.1 ms                     |
| Maximum delay recovery             | 1 ms                       |
| Marking                            | CE                         |
| Threaded length                    | 1.73 in (44 mm)            |
| Length                             | 2.24 in (57 mm)            |
| Net Weight                         | 0.36 lb(US) (0.165 kg)     |

The information provided in this documentation contains general descriptions and/or technical characteristics of the performance of the products contained herein. This documentation is not intended as a substitute for and is not to be used for determining suitability or reliability of these products for specific user applications. It is the duty of any such user or integrator to perform the appropriate and complete risk analysis, evaluation and testing of the products with respect to the relevant specific application or use thereof. Neither Schneider Electric Industries SAS nor any of its affiliates or subsidiaries shall be responsible or liable for misuse of the information contained herein.

## Environment

|                                       |   |
|---------------------------------------|---|
| Product Certifications                | CSA<br>UL                               |
| Ambient Air Temperature for Operation | -13...158 °F (-25...70 °C)              |
| Ambient Air Temperature for Storage   | -40...185 °F (-40...85 °C)              |
| Vibration resistance                  | 25 gn +/- 2 mm 10...55 Hz)IEC 60068-2-6 |
| Shock resistance                      | 50 gn 11 ms IEC 60068-2-27              |

## Ordering and shipping details

|                       |                                 |
|-----------------------|---------------------------------|
| Category              | 22414-SENSORS, INDUCTIVE, BASIC |
| Discount Schedule     | DS2                             |
| GTIN                  | 3389119002110                   |
| Nbr. of units in pkg. | 1                               |
| Package weight(Lbs)   | 7.80 oz (221.0 g)               |
| Returnability         | No                              |
| Country of origin     | ID                              |

## Packing Units

|                              |                         |
|------------------------------|-------------------------|
| Unit Type of Package 1       | PCE                     |
| Package 1 Height             | 5.12 in (13 cm)         |
| Package 1 width              | 1.65 in (4.2 cm)        |
| Package 1 Length             | 3.74 in (9.5 cm)        |
| Unit Type of Package 2       | S02                     |
| Number of Units in Package 2 | 22                      |
| Package 2 Weight             | 11.72 lb(US) (5.317 kg) |
| Package 2 Height             | 5.91 in (15 cm)         |
| Package 2 width              | 11.81 in (30 cm)        |
| Package 2 Length             | 15.75 in (40 cm)        |

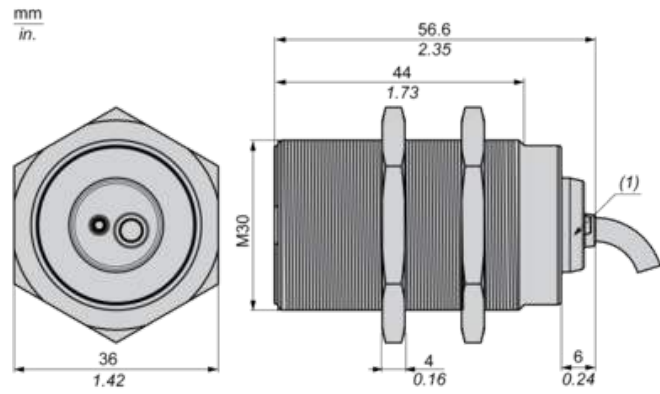
## Offer Sustainability

|                            |   |
|----------------------------|---|
| Sustainable offer status   | Green Premium product   |
| California proposition 65  | WARNING: This product can expose you to chemicals including: Diisononyl phthalate (DINP), which is known to the State of California to cause cancer, and Di-isodecyl phthalate (DIDP), which is known to the State of California to cause birth defects or other reproductive harm. For more information go to <a href="http://www.P65Warnings.ca.gov">www.P65Warnings.ca.gov</a> |
| REACH Regulation           | <a href="#">REACH Declaration</a>   |
| EU RoHS Directive          | Pro-active compliance (Product out of EU RoHS legal scope) <a href="#">EU RoHS Declaration</a>  |
| Mercury free               | Yes   |
| RoHS exemption information | <a href="#">Yes</a>   |
| Environmental Disclosure   | <a href="#">Product Environmental Profile</a>   |
| Circularity Profile        | <a href="#">End Of Life Information</a>   |

## Contractual warranty

|          |           |
|----------|-----------|
| Warranty | 18 months |
|----------|-----------|

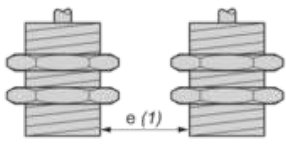
Dimensions



(1) LED

## Minimum Mounting Distances

Side by side



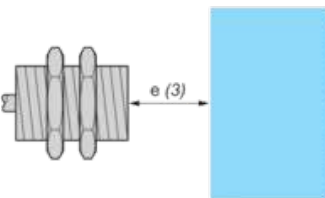
$e (1) \geq 20 \text{ mm}/0.79 \text{ in}$

Face to face



$e (2) \geq 120 \text{ mm}/4.72 \text{ in}$

Facing a metal object



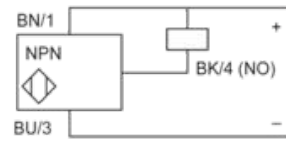
$e (3) \geq 30 \text{ mm}/1.18 \text{ in}$

---

## Wiring Schemes

---

NPN



BU : Blue

BN : Brown

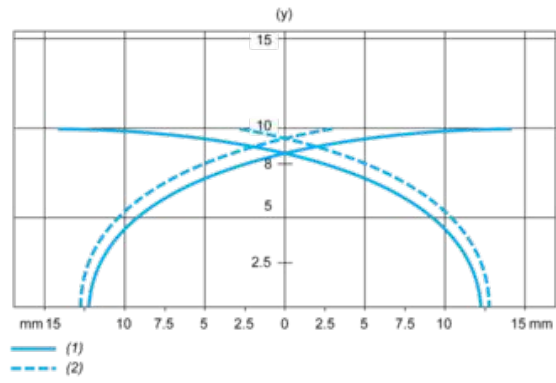
BK : Black

---

Performance Curves

---

Standard Steel Target : 30x30x1 mm



- (1) Pick-up points
- (2) Drop-out points (object approaching from the side)
- (y) Sensing distance in mm