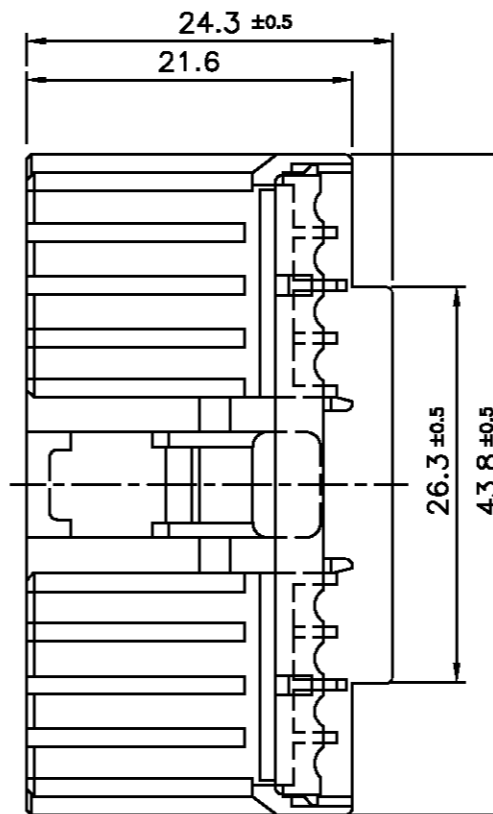
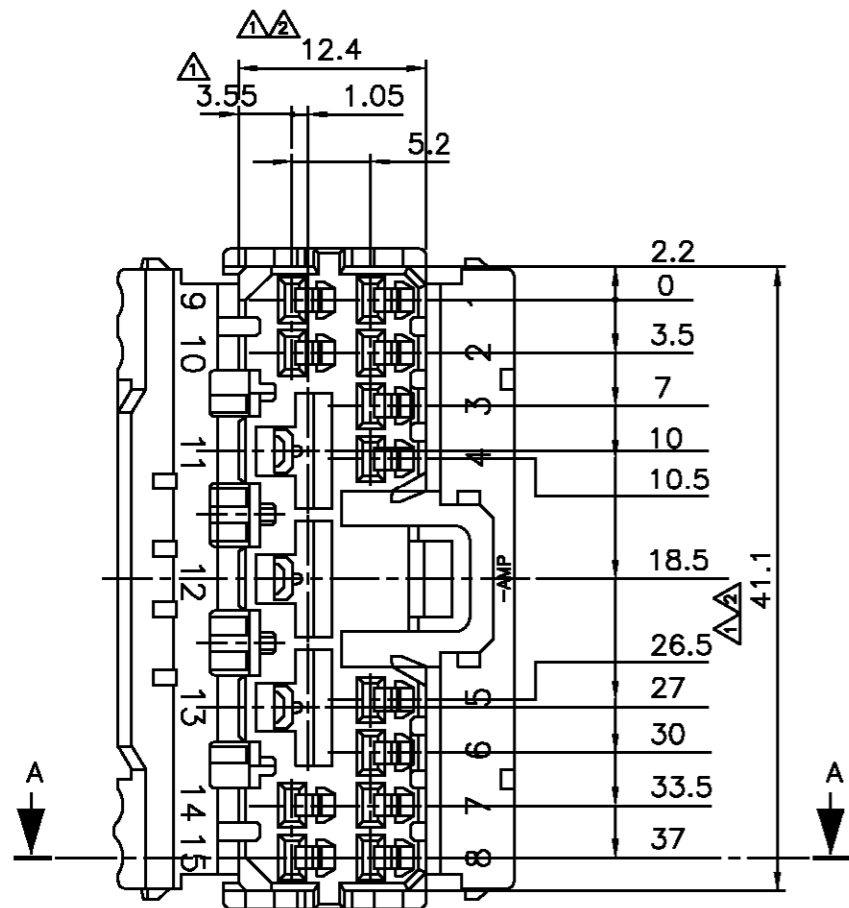


P	LTR	DESCRIPTION	DATE	DWN	APVD
	0	RELEASED	6/22/'95	JW	BM
	A	REVISED(FC00-0058-98)	13/AUG/'98	HS	CS
	B	REVISED(FC00-0063-03)	09/MAY/'03	YD	CS

D

D

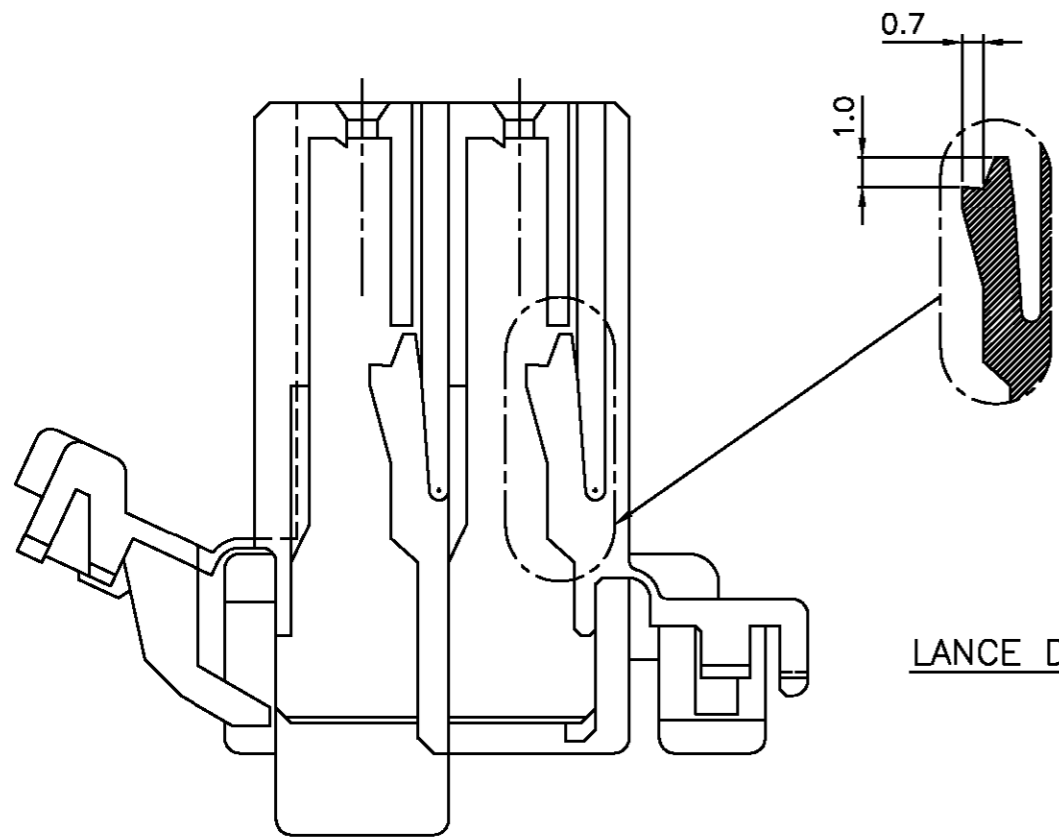


NOTE:

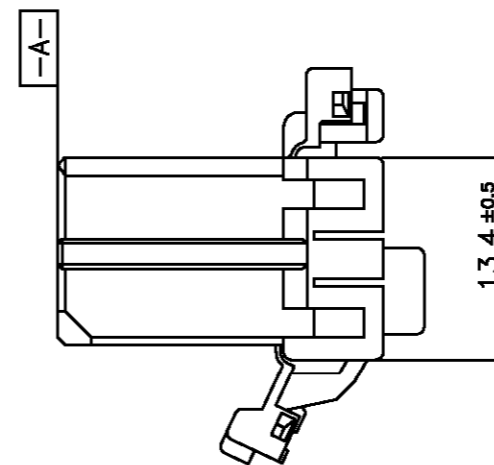
- ▲ TO BE MEASURED BETWEEN -A- AND 2
- △ TO BE MATE WITH TAP HSG SMOOTHLY
- 3 APPLIED RECEPTACLE CONTACT PART NUMBERS
.070 SERIES, 173630, 173631
.250 SERIES, 170032, 170258, 170384
- 4 APPLIED CAP HSG P/N : 85114
- Ⓟ▲ THESE ARE FOR LOCAL CUSTOMER WITH POLY BAG/MID BOX/OUT BOX.
- Ⓟ△ THIS IS FOR EXPORT WITH TRAY/OUT BOX.

C

C



LANCE DETAL



P/N	MATERIAL	COLOR	PACKING
1-85113-2	P.B.T	BLACK	Ⓟ▲
85113-5	P.B.T	BLUE	Ⓟ▲
85113-4	P.B.T	GREEN	Ⓟ▲
85113-2	P.B.T	BLACK	Ⓟ▲
85113-1	P.B.T	WHITE	Ⓟ▲

B

B

A

A

SECTION A-A

THIS DRAWING IS A CONTROLLED DOCUMENT FOR AMP INCORPORATED. IT IS SUBJECT TO CHANGE AND THE CONTROLLING ENGINEERING ORGANIZATION SHOULD BE CONTACTED FOR THE LATEST REVISION.		DWN YD. LEE	AMP AMP KOREA. kyungsan, korea
DIMENSIONS: MM		CHK BM JANG	
TOLERANCES UNLESS OTHERWISE SPECIFIED: 0<XX<10 ±0.2 10<XX<30 ±0.25 30<XX ±0.3 ANGLES ±3°		APVD CS LEE	NAME .070/.250 HYBRID 15P PLUG HSG
3rd ANGLE PROJECTION		PRODUCT SPEC	SIZE A3
MATERIAL SEE TABLE		APPLICATION SPEC	CAGE CODE 00779
FINISH		WEIGHT	DRAWING NO 8 5 1 1 3
			SCALE 2/1 SHEET 1 OF 1 REV B