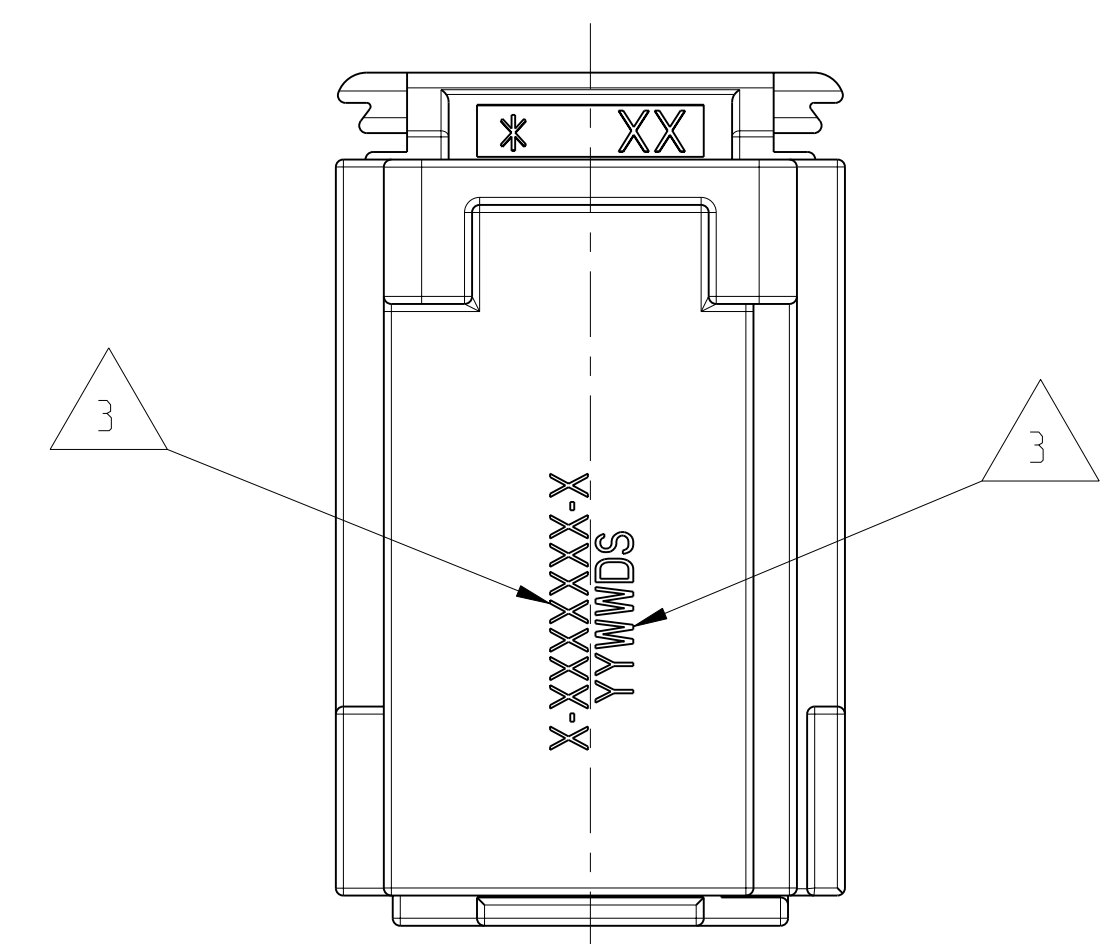
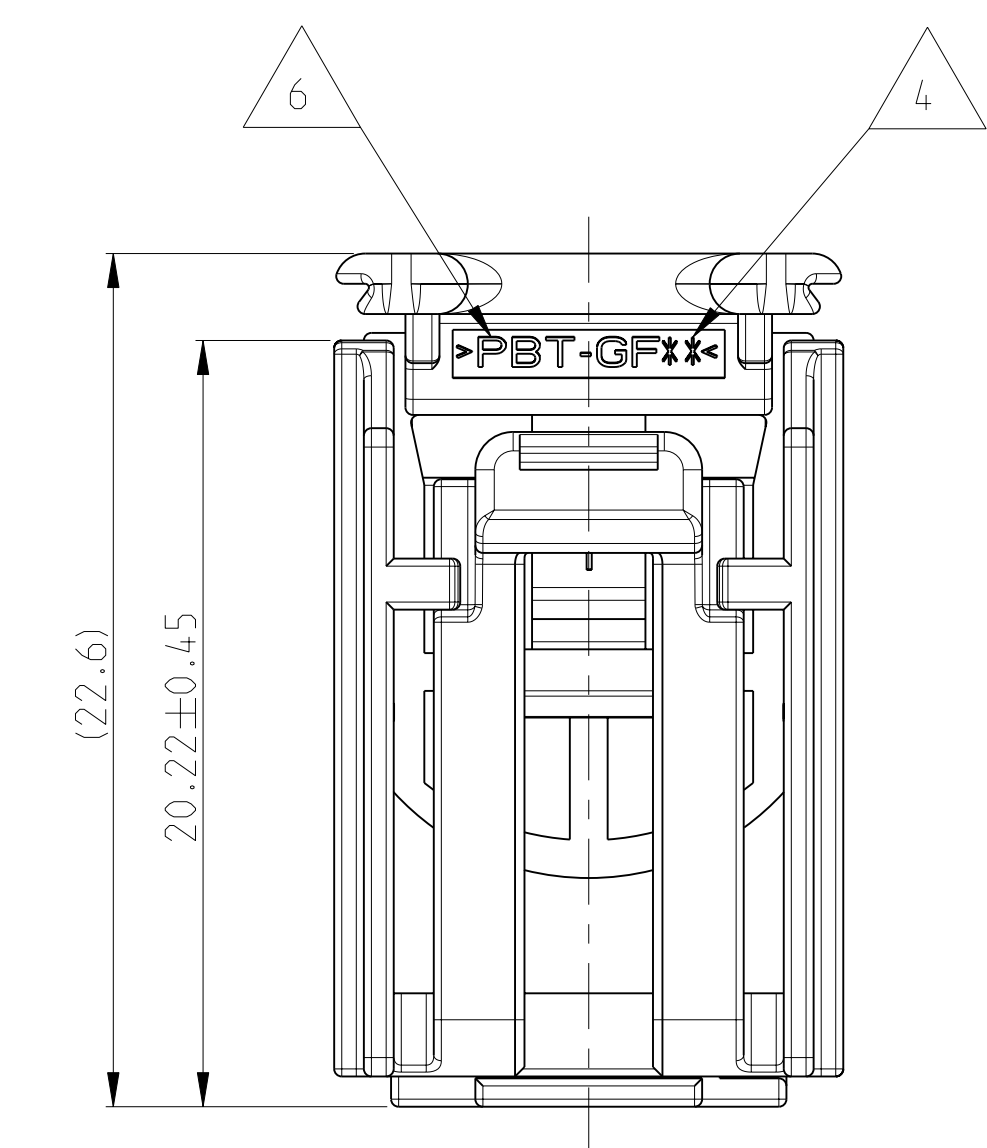
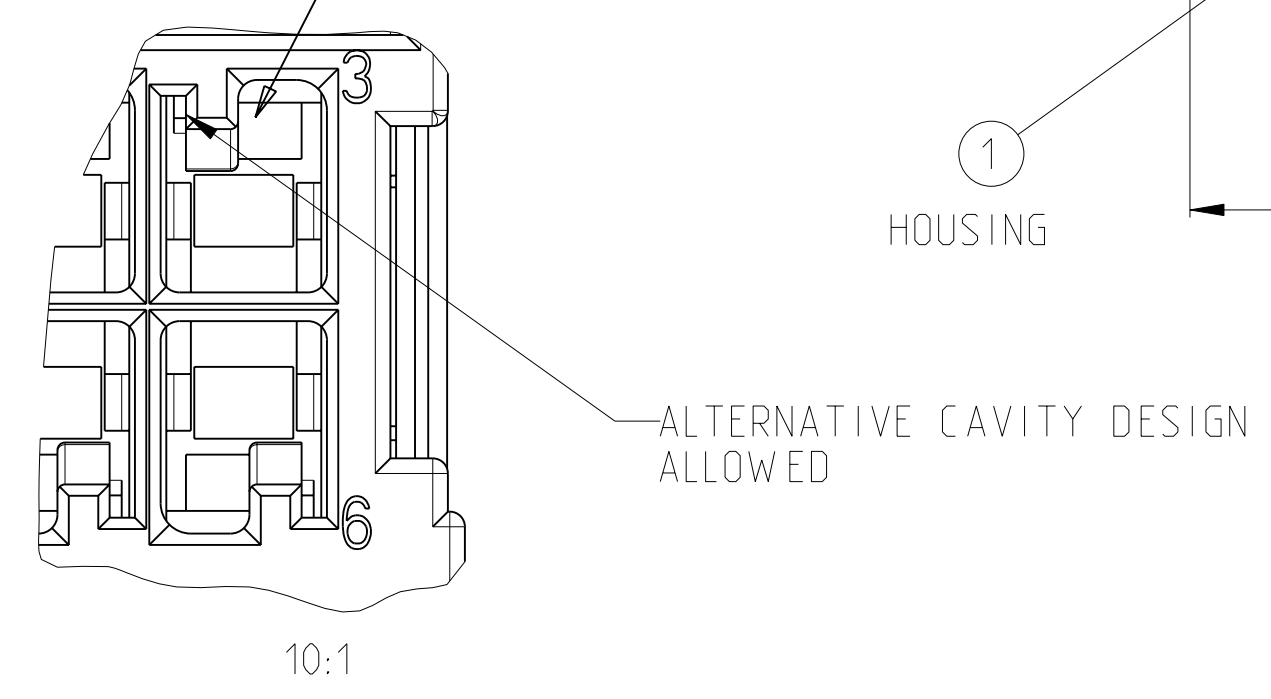
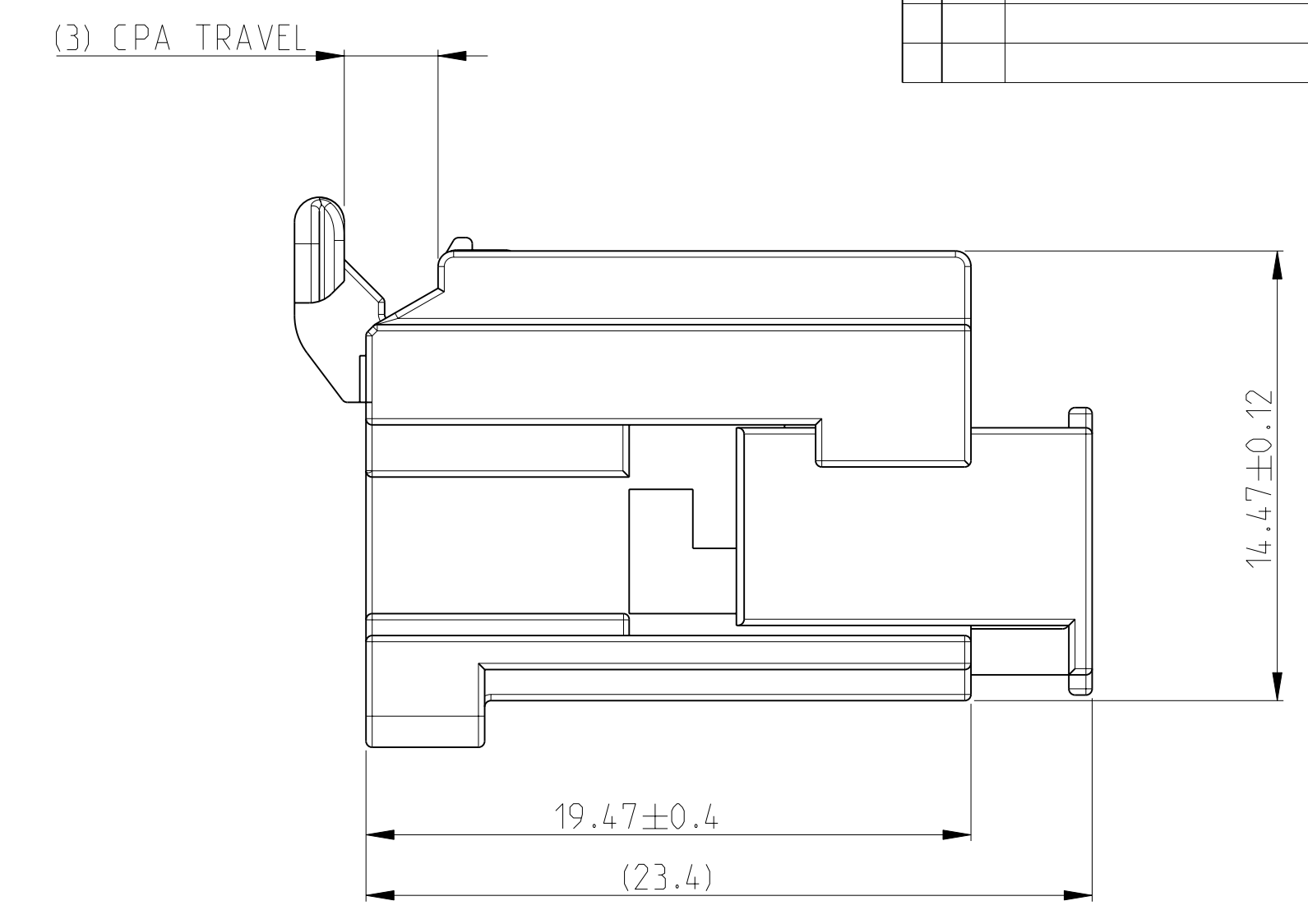
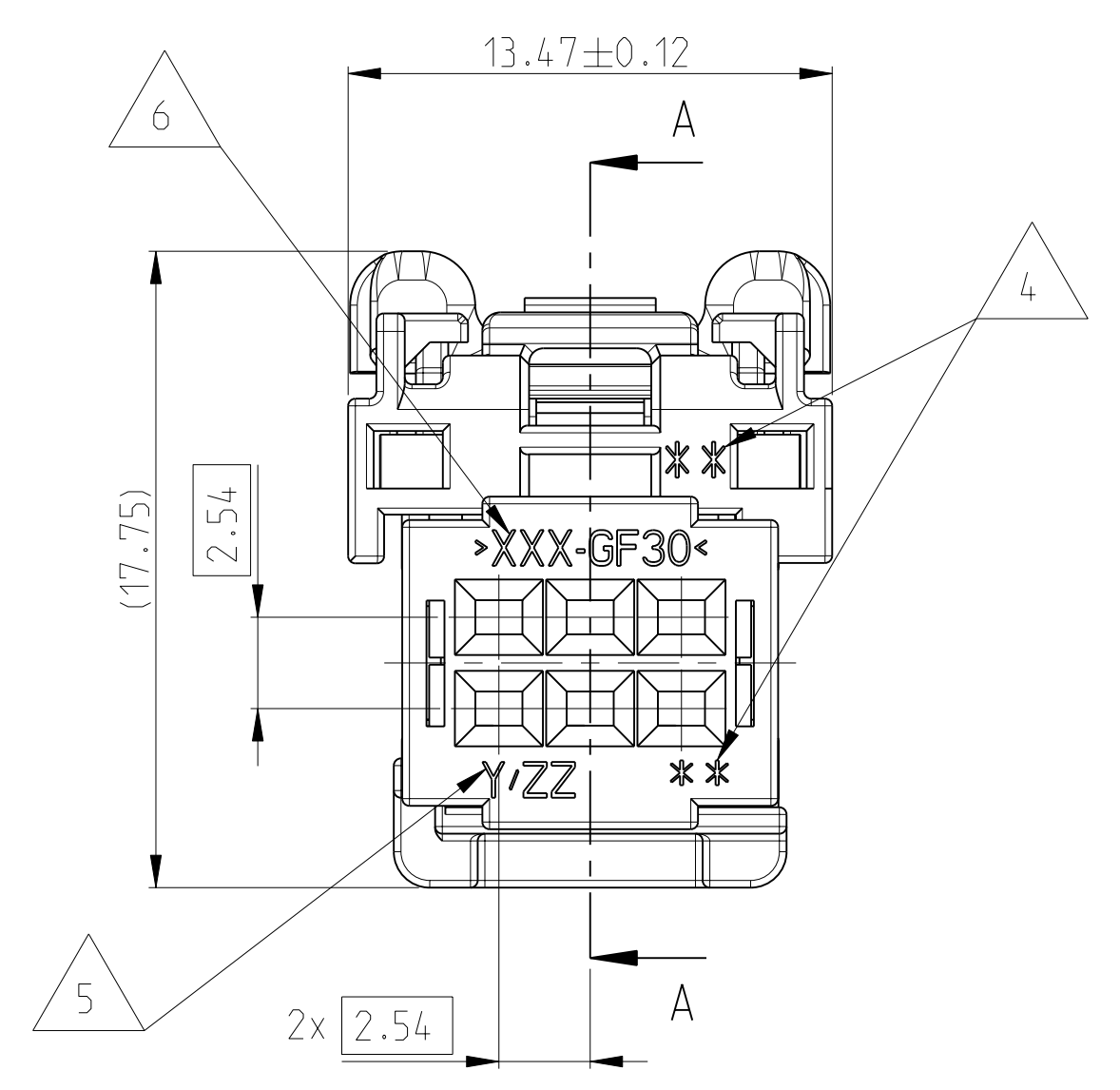
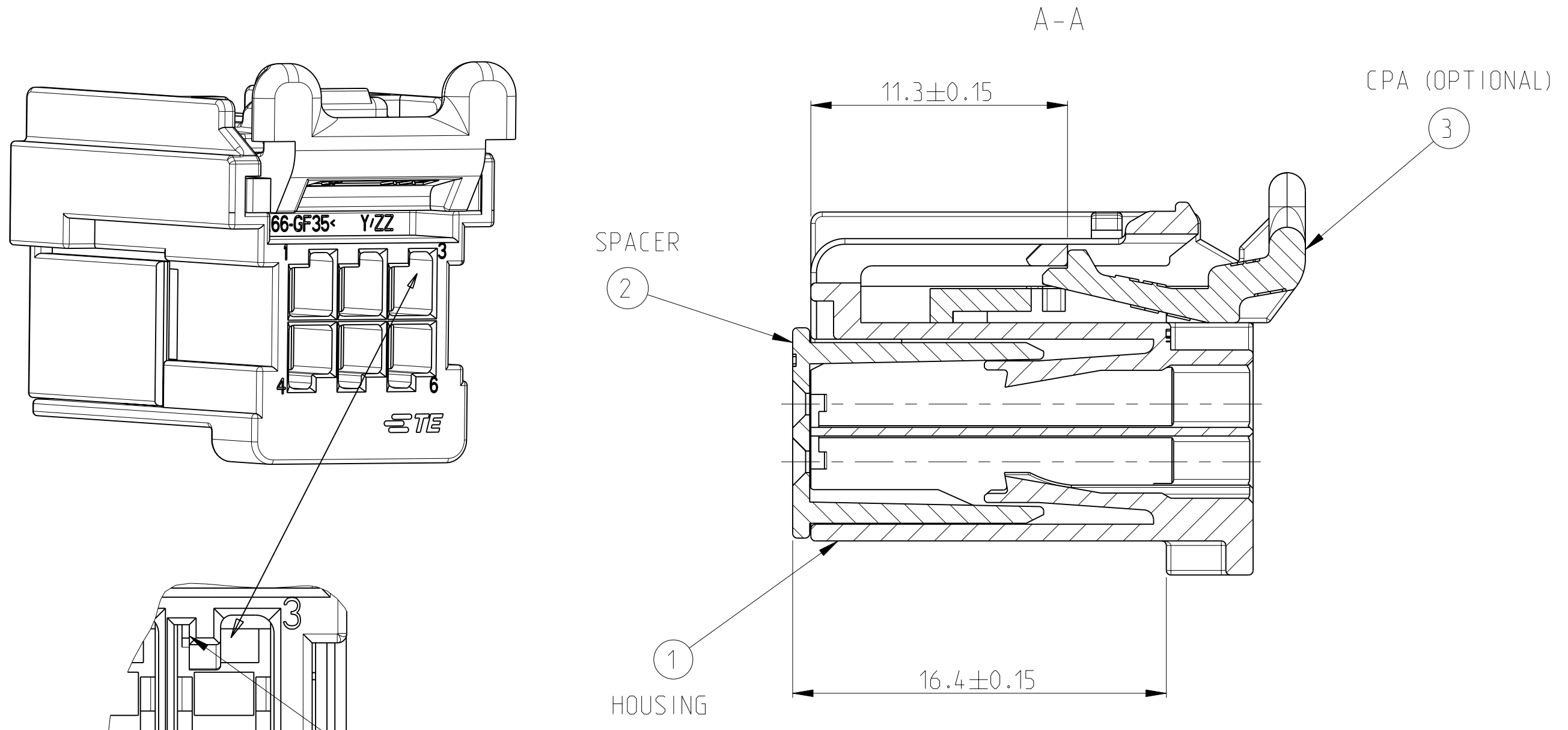
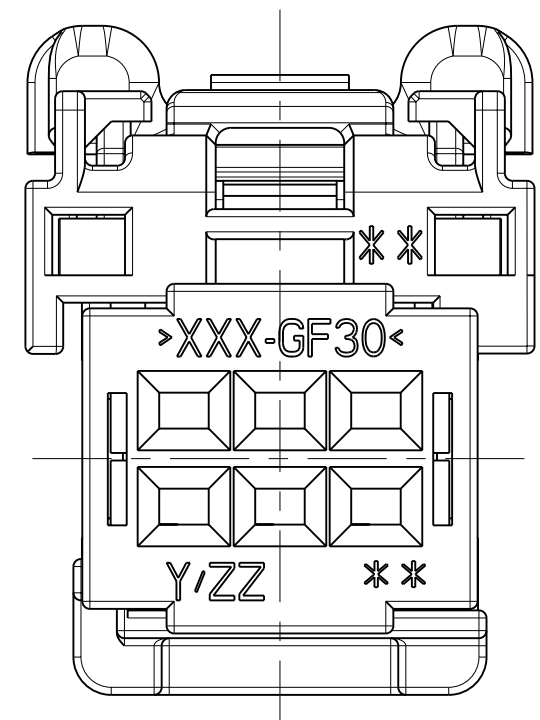


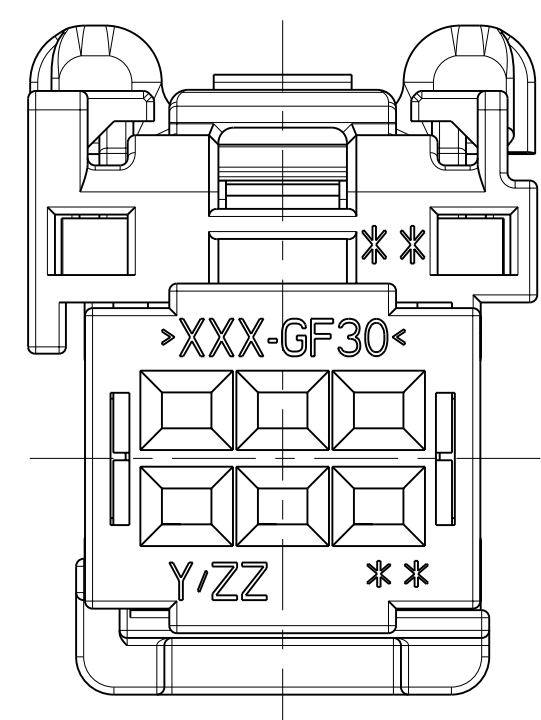
LOC	DIST	REV	DATE	BY	CHK	APPD
A1	-	D1	15MAY2011	RK	HMR	
		D2	18JULY2011	PT	HMR	



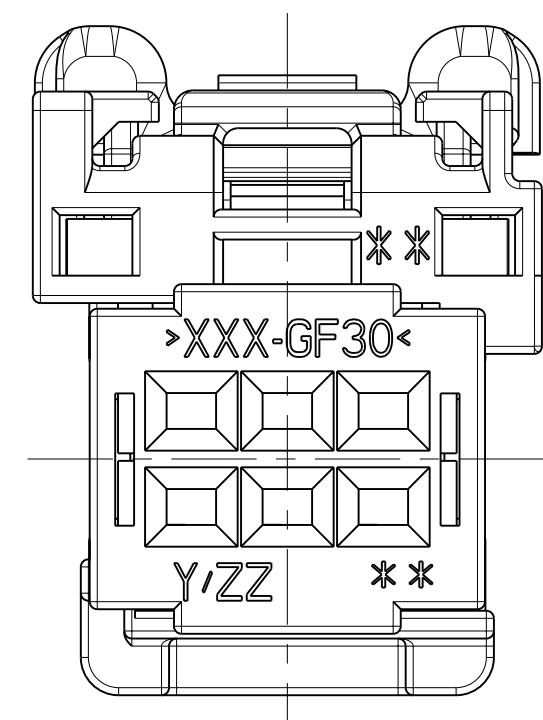
- NOTES:
- MOLD TERMINAL POSITION NUMBERS LOCATED AS SHOWN
 - DELIVERY CONDITION: SPACER AND CPA (OPTIONAL) IN PRE ASSEMBLED POSITION
 - PART NUMBER AND DATE CODE
 - PRODUCT REVISION LEVEL OPTIONAL
 - TOOL NUMBER AND CAVITY NUMBER OPTIONAL
 - MATERIAL IDENTIFICATION
 - TE- LOGO (OPTIONAL) ALTERNATIVE SUPPLIER LOGO POSSIBLE
 - INTERFACE SPEC.: 114-18546
 - KEYING OPTION A SHOWN WITH CPA
 - PACKING: CONNECTOR ASSEMBLIES PACKED ON TRAY TRAYS PACKED IN CARDBOARD BOX



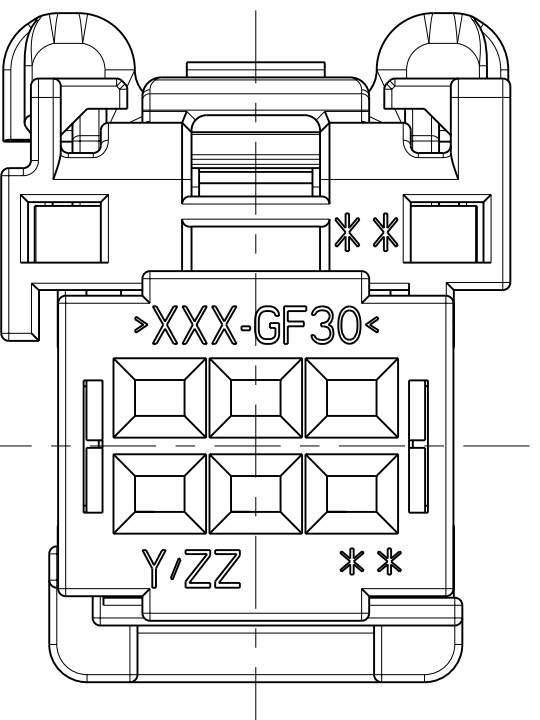
KEYING OPTION A



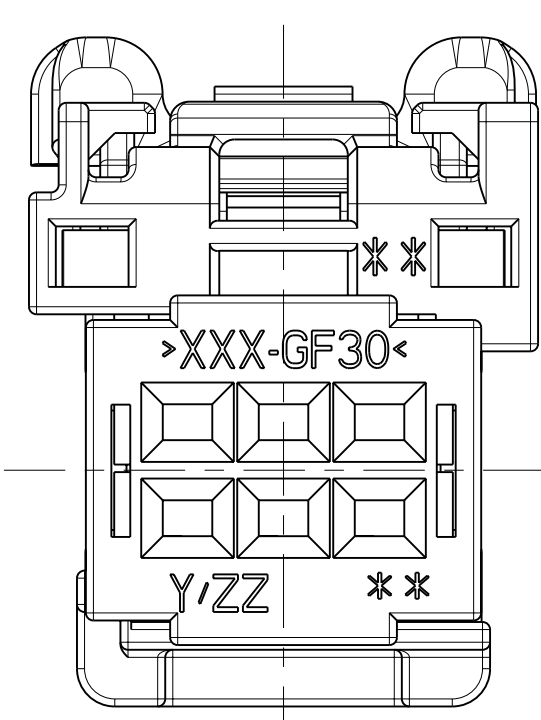
KEYING OPTION B



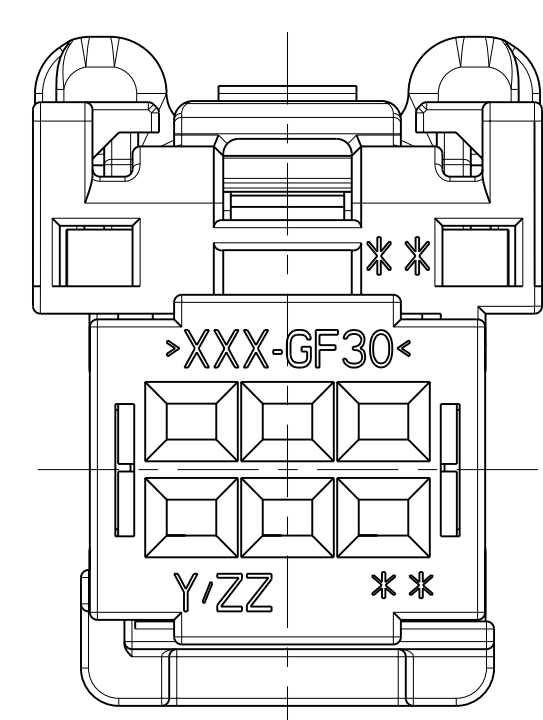
KEYING OPTION C



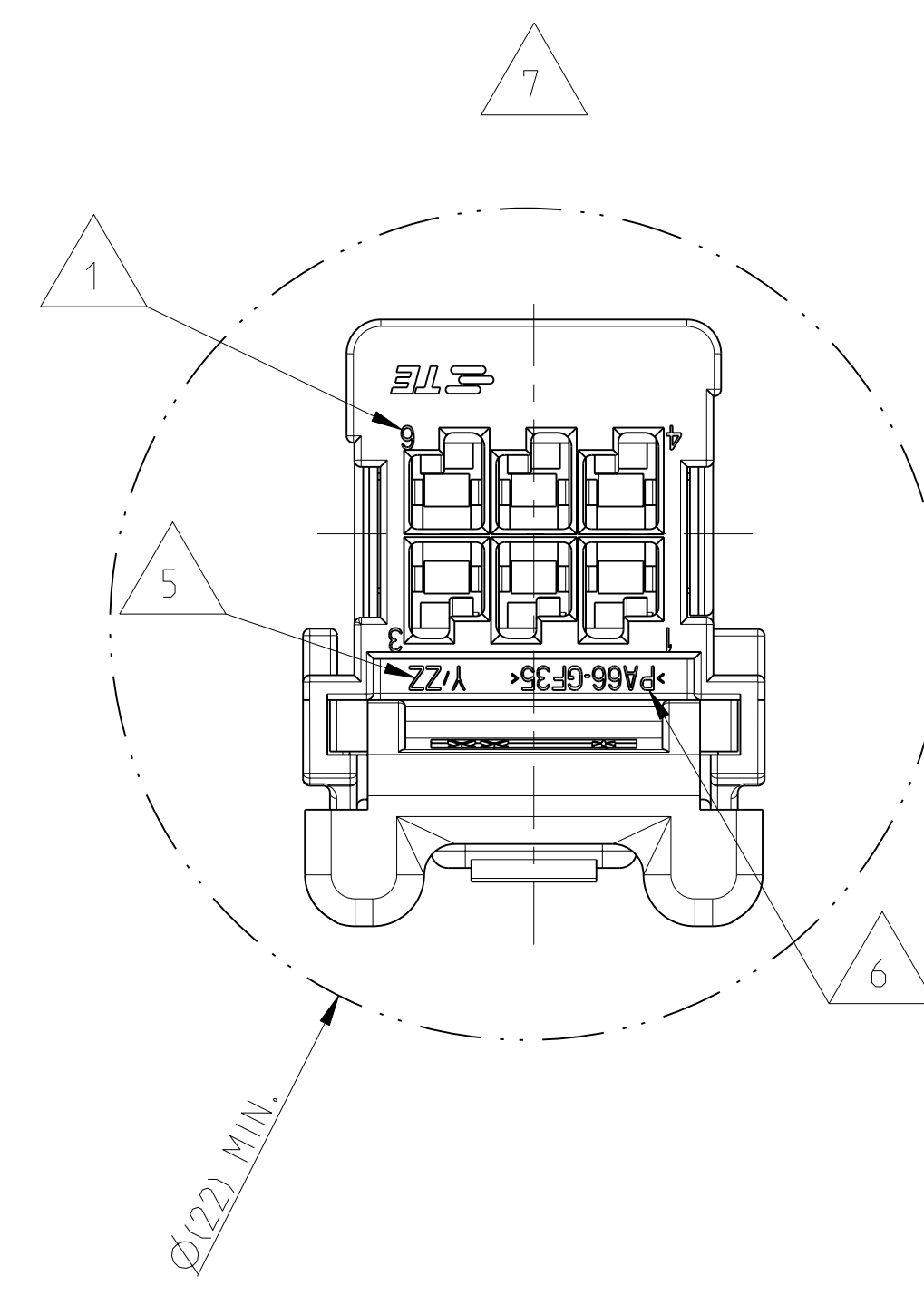
KEYING OPTION D



KEYING OPTION E



KEYING OPTION F



TE-ORDER-NUMBER	KEYING OPTIONS										CPA	RED	PBT-GF20	3					
	F	E	D	C	B	A													
TBD	9-1411325-6	TBD	9-1411325-5	1411325-4	1-1411325-4	9-1411325-4	1411325-3	1-1411325-3	9-1411325-3	1419158-6	1-1411325-2	9-1411325-2	1419158-5	1-1411325-1	9-1411325-1				
1	1	1	1	1	1	1	1	1	1	1	1	1	1	1	1	CPA	RED	PBT-GF20	3
1	1	1	1	1	1	1	1	1	1	1	1	1	1	1	1	SPACER	RED	PBT-GF30	2
													1	1		HOUSING COD. A	BLACK	PA66-GF35	1
										1	1					HOUSING COD. A	GREEN	PA66-GF35	1
																HOUSING COD. B	BLACK	PA66-GF35	1
										1						HOUSING COD. B	GREY	PA66-GF35	1
								1	1							HOUSING COD. C	BLACK	PA66-GF35	1
											1					HOUSING COD. C	BROWN	PA66-GF35	1
				1	1											HOUSING COD. D	BLACK	PA66-GF35	1
						1										HOUSING COD. D	BLUE	PA66-GF35	1
1	1															HOUSING COD. E	BLACK	PA66-GF35	1
																HOUSING COD. F	BLACK	PA66-GF35	1

THIS DRAWING IS A CONTROLLED DOCUMENT. DIMENSIONS: mm. TOLERANCES UNLESS OTHERWISE SPECIFIED: ±0.15. MATERIAL: -. FINISH: -. WEIGHT: -. CUSTOMER DRAWING: -. APPLICATION SPEC: -. PRODUCT SPEC: -. DATE: 15 JUL 1998. BY: B. Depuytere. CHK: G.W. Illems. APPD: B. Van Schoeck. NAME: 2X3 POS. GET FEMALE CONNECTOR ASSEMBLY. SIZE: A1. CAGE CODE: 00779. DRAWING NO: 1411325-3. SCALE: 5:1. SHEET: 1 OF 1. REV: 02.