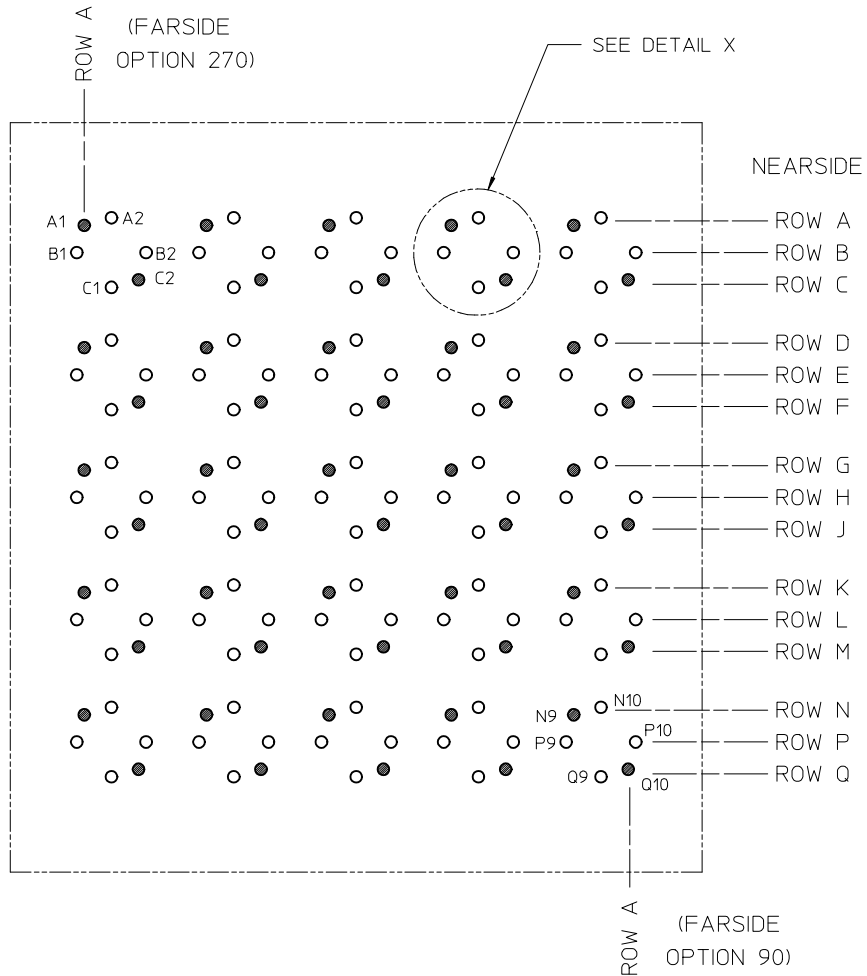


(DUAL ENDWALL SHOWN)

- NOTES:
- MATERIALS: HOUSING - LIQUID CRYSTAL POLYMER (LCP)
GLASS-FILLED, UL94V-0
TERMINALS - HIGH PERFORMANCE COPPER ALLOY
 - FINISH: 30μ MIN GOLD IN CONTACT AREA.
SELECTIVE MATTE TIN (LEAD-FREE) ON PCB TAILS.
NICKEL OVERALL.
 - REFER TO MOLEX PRODUCT SPECIFICATION PS-76060-999
FOR PERFORMANCE SPECIFICATIONS AND ADDITIONAL PCB INFORMATION.
 - THIS PART CONFORMS TO CLASS B REQUIREMENTS OF
COSMETIC SPEC PS-45499-002.
 - PRODUCT IS PACKAGED PER PK-70873-7707.
 - SEE SHEETS 2 THRU 4 FOR PART NUMBERS AND ORTHOGONAL PIN MAPPING.
 - REFER TO MOLEX SALES DRAWING SD-76990-001 FOR THE MATING RECEPTACLES.
 - REFER TO MOLEX ROUTING GUIDE AS-76850-990 FOR ADDITIONAL PCB LAYOUT
AND ROUTING RECOMMENDATIONS.
 - *THESE DIMENSIONS REPRESENT THE AREA NEEDED TO ACCOMODATE CONNECTOR
INSERTION AND REPAIR ON THE PC BOARD. THIS DOES NOT REPRESENT
THE ACTUAL PERIMETER OF THE CONNECTOR.*

INITIAL RELEASE EC NO: UCP2014-2268 DRWN: ARIZV101 CHKD: TELO APPR: TELO	REV A	DESCRIPTION 2013/03/05 2013/11/22 2013/12/04	QUALITY SYMBOLS ▽=0 ▽=0 ▽=0	GENERAL TOLERANCES (UNLESS SPECIFIED)		DIMENSION STYLE MM ONLY		SCALE 4:1	DESIGN UNITS METRIC	THIRD ANGLE PROJECTION
				mm	INCH	DRAWN BY ARIZV101	DATE 2013/03/05	TITLE IMPACT 5 PAIR HEADER ORTHOGONAL ASSEMBLY UNGUIDED SALES DRAWING		
DRAFT WHERE APPLICABLE MUST REMAIN WITHIN DIMENSIONS				ANGULAR ±1/2°		MATERIAL NO. SEE CHART		DOCUMENT NO. SD-171884-0001		SHEET NO. 1 OF 4
				SIZE C		THIS DRAWING CONTAINS INFORMATION THAT IS PROPRIETARY TO MOLEX INCORPORATED AND SHOULD NOT BE USED WITHOUT WRITTEN PERMISSION				



MATERIAL NUMBER	# OF COLUMNS	# OF DIFF PAIR	DIM A	DIM B	DIM C
171884-180*	8	40	16.1	14.05	14.45
171884-182*	8	40	18.9	14.05	14.45
171884-110*	10	50	20.1	18.10	18.50
171884-112*	10	50	22.9	18.10	18.50
171884-120*	12	60	24.2	22.15	22.55
171884-122*	12	60	27.0	22.15	22.55

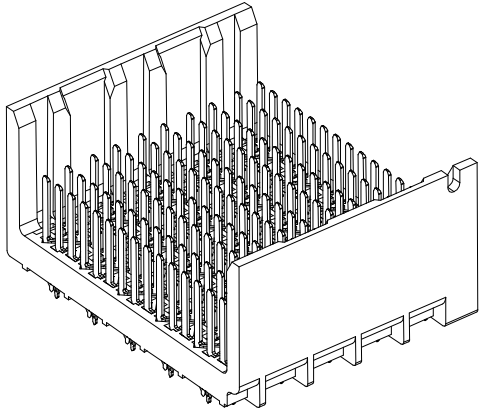
171884-1***

MODULE & TAIL PLATING TYPE
1 = UNGUIDED, TIN

OF COLUMNS
8 = 8 COLUMN
1 = 10 COLUMN
2 = 12 COLUMN

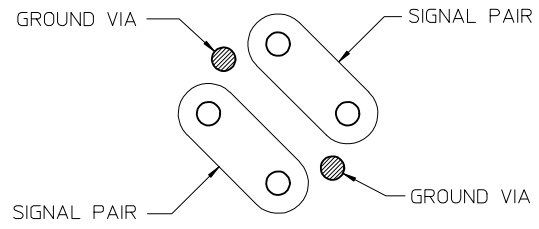
PIN LENGTH (P)
4 = 4.90 (0.46 PTH)
5 = 5.50 (0.46 PTH)
7 = 4.90 (0.39 PTH)
8 = 5.50 (0.39 PTH)

ENDWALL OPTIONS
0 = OPEN ENDS
2 = DUAL ENDWALL



OPEN END OPTION

MIDPLANE PCB LAYOUT
SCALE 8:1

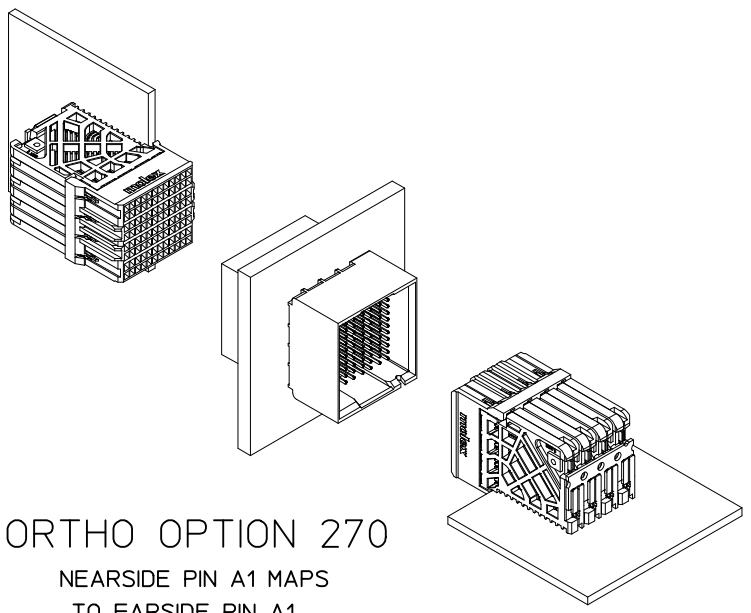


DETAIL X
SCALE 16:1

SEE SHEET 1 EC NO: UCP2014-2268 DRW:ARIZV101 2013/03/05 CHKD:TELO 2013/11/22 APPR:TELO 2013/12/04	QUALITY SYMBOLS ▽=0 ▽=0 ▽=0	GENERAL TOLERANCES (UNLESS SPECIFIED)		DIMENSION STYLE MM ONLY		SCALE 4:1	DESIGN UNITS METRIC	THIRD ANGLE PROJECTION			
		4 PLACES ± --- ± ---	3 PLACES ± --- ± ---	2 PLACES ± 0.13 ± ---	1 PLACE ± 0.25 ± ---	0 PLACE ± ±	DRAWN BY DATE ARIZV101 2013/03/05		CHECKED BY DATE JMENDOZA 2013/11/22		
		ANGULAR ±1/2°		DRAFT WHERE APPLICABLE MUST REMAIN WITHIN DIMENSIONS		APPROVED BY DATE TELO 2013/12/04		TITLE IMPACT 5 PAIR HEADER ORTHOGONAL ASSEMBLY UNGUIDED SALES DRAWING		MATERIAL NO. SD-171884-0001	
		SIZE C		THIS DRAWING CONTAINS INFORMATION THAT IS PROPRIETARY TO MOLEX INCORPORATED AND SHOULD NOT BE USED WITHOUT WRITTEN PERMISSION		DOCUMENT NO. SD-171884-0001		SHEET NO. 2 OF 4		molex	

ORTHO PIN MAPPING									
OPTION 270 (NEAR SIDE - FAR SIDE)									
(A1-A1)	A2-B1	(A3-D1)	A4-E1	(A5-G1)	A6-H1	(A7-K1)	A8-L1	(A9-N1)	A10-P1
B1-A2	B2-C1	B3-D2	B4-F1	B5-G2	B6-J1	B7-K2	B8-M1	B9-N2	B10-O1
C1-B2	(C2-C2)	C3-E2	(C4-F2)	C5-H2	(C6-J2)	C7-L2	(C8-M2)	C9-P2	(C10-Q2)
(D1-A3)	D2-B3	(D3-D3)	D4-E3	(D5-G3)	D6-H3	(D7-K3)	D8-L3	(D9-N3)	D10-P3
E1-A4	E2-C3	E3-D4	E4-F3	E5-G4	E6-J3	E7-K4	E8-M3	E9-N4	E10-O3
F1-B4	(F2-C4)	F3-E4	(F4-F4)	F5-H4	(F6-J4)	F7-L4	(F8-M4)	F9-P4	(F10-Q4)
(G1-A5)	G2-B5	(G3-D5)	G4-E5	(G5-G5)	G6-H5	(G7-K5)	G8-L5	(G9-N5)	G10-P5
H1-A6	H2-C5	H3-D6	H4-F5	H5-G6	H6-J5	H7-K6	H8-M5	H9-N6	H10-O5
J1-B6	(J2-C6)	J3-E6	(J4-F6)	J5-H6	(J6-J6)	J7-L6	(J8-M6)	J9-P6	(J10-Q6)
(K1-A7)	K2-B7	(K3-D7)	K4-E7	(K5-G7)	K6-H7	(K7-K7)	K8-L7	(K9-N7)	K10-P7
L1-A8	L2-C7	L3-D8	L4-F7	L5-G8	L6-J7	L7-K8	L8-M7	L9-N8	L10-Q7
M1-B8	(M2-C8)	M3-E8	(M4-F8)	M5-H8	(M6-J8)	M7-L8	(M8-M8)	M9-P8	(M10-Q8)
(N1-A9)	N2-B9	(N3-D9)	N4-E9	(N5-G9)	N6-H9	(N7-K9)	N8-L9	(N9-N9)	N10-P9
P1-A10	P2-C9	P3-D10	P4-F9	P5-G10	P6-J9	P7-K10	P8-M9	P9-N10	P10-Q9
Q1-B10	(Q2-C10)	Q3-E10	(Q4-F10)	Q5-H10	(Q6-J10)	Q7-L10	(Q8-M10)	Q9-P10	(Q10-Q10)

NOTE: PINOUTS SHOWN IN BALLOONS ARE GROUNDS.
 PINOUTS SHOWN ARE FOR SQUARE (10 COLUMN) PATTERN ONLY.

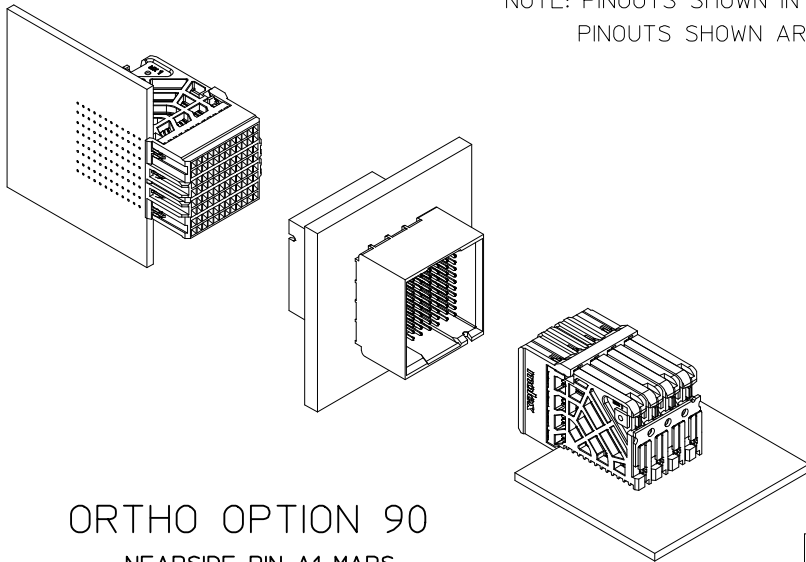


ORTHO OPTION 270
 NEAR SIDE PIN A1 MAPS
 TO FAR SIDE PIN A1

SEE SHEET 1 EC NO: UCP2014-2268 DRW: ARIZV101 2013/03/05 CHKD: TELO 2013/11/22 APPR: TELO 2013/12/04	QUALITY SYMBOLS	GENERAL TOLERANCES (UNLESS SPECIFIED)	DIMENSION STYLE	SCALE	DESIGN UNITS	THIRD ANGLE PROJECTION
	▽=0	mm INCH	MM ONLY	8:1	METRIC	
	▽=0	4 PLACES ± --- ± ---	DRAWN BY DATE	TITLE		
	▽=0	3 PLACES ± --- ± ---	ARIZV101 2013/03/05	IMPACT 5 PAIR HEADER ORTHOGONAL ASSEMBLY UNGUIDED SALES DRAWING		
▽=0	2 PLACES ± 0.13 ± ---	CHECKED BY DATE	DOCUMENT NO.			
	1 PLACE ± 0.25 ± ---	JMENDOZA 2013/11/22	SD-171884-0001			
	0 PLACE ± ±	APPROVED BY DATE	SHEET NO.			
	ANGULAR ±1/2°	TELO 2013/12/04	3 OF 4			
	DRAFT WHERE APPLICABLE MUST REMAIN WITHIN DIMENSIONS	MATERIAL NO.	THIS DRAWING CONTAINS INFORMATION THAT IS PROPRIETARY TO MOLEX INCORPORATED AND SHOULD NOT BE USED WITHOUT WRITTEN PERMISSION			
A	REV	SIZE				
		C				

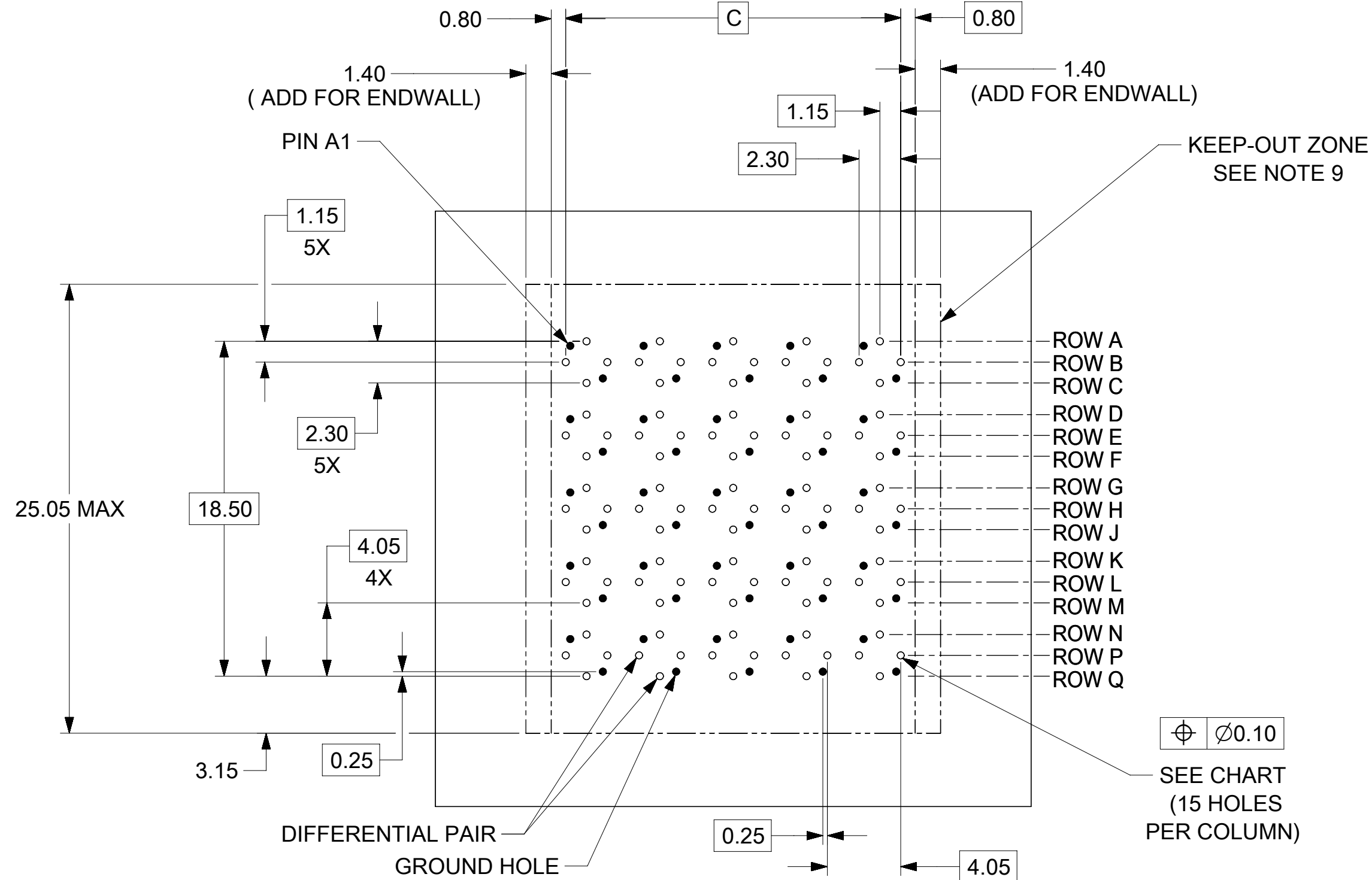
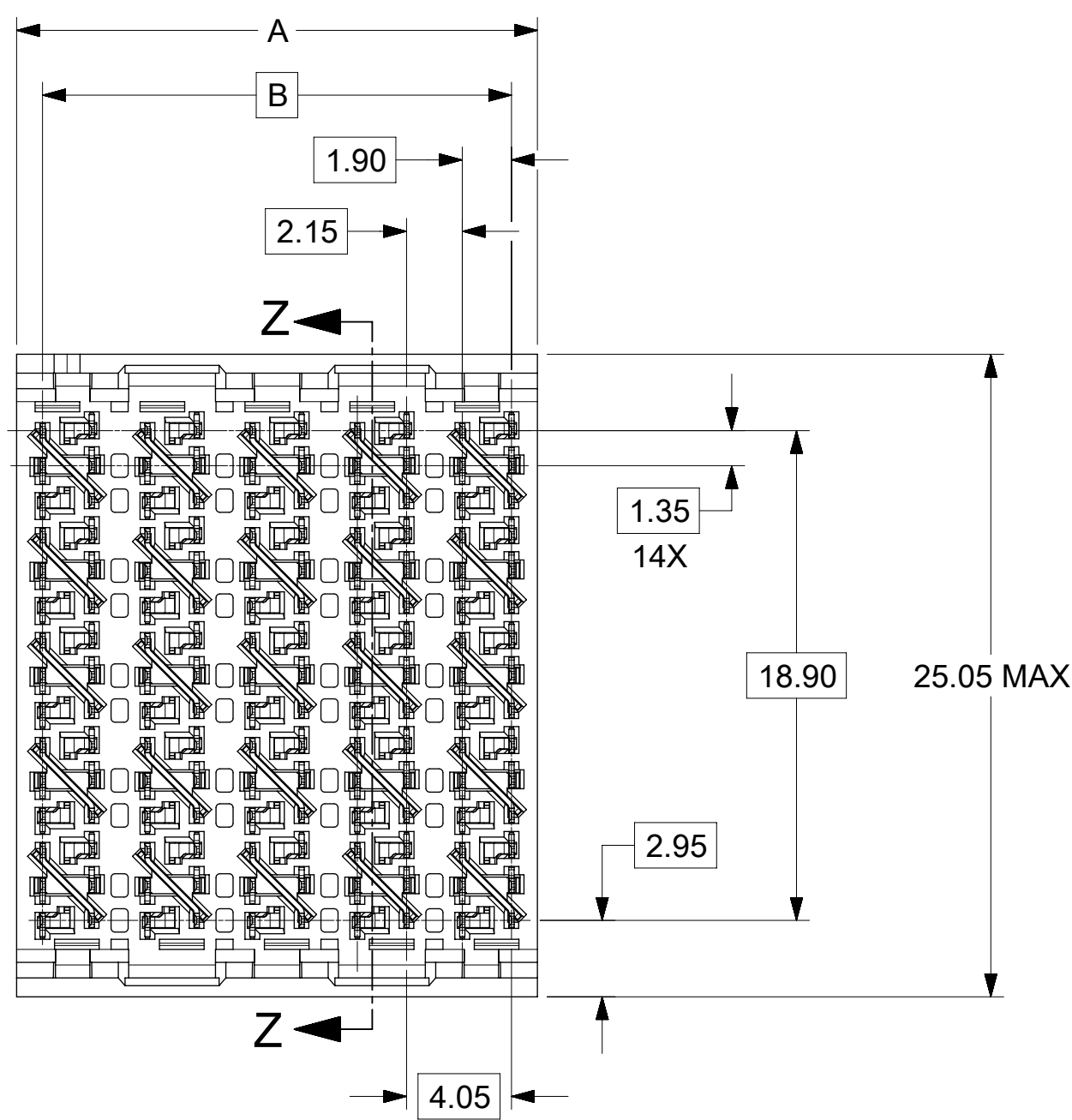
ORTHO PIN MAPPING									
OPTION 90 (NEAR SIDE - FAR SIDE)									
(A1-Q10)	A2-P10	(A3-M10)	A4-L10	(A5-J10)	A6-H10	(A7-F10)	A8-E10	(A9-C10)	A10-B10
B1-Q9	B2-N10	B3-M9	B4-K10	B5-J9	B6-G10	B7-F9	B8-D10	B9-C9	B10-A10
C1-P9	(C2-N9)	C3-L9	(C4-K9)	C5-H9	(C6-G9)	C7-E9	(C8-D9)	C9-B9	(C10-A9)
(D1-Q8)	D2-P8	(D3-M8)	D4-L8	(D5-J8)	D6-H8	(D7-F8)	D8-E8	(D9-C8)	D10-B8
E1-Q7	E2-N8	E3-M7	E4-K8	E5-J7	E6-G8	E7-F7	E8-D8	E9-C7	E10-A8
F1-P7	(F2-N7)	F3-L7	(F4-K7)	F5-H7	(F6-G7)	F7-E7	(F8-D7)	F9-B7	(F10-A7)
(G1-Q6)	G2-P6	(G3-M6)	G4-L6	(G5-J6)	G6-H6	(G7-F6)	G8-E6	(G9-C6)	G10-B6
H1-Q5	H2-N6	H3-M5	H4-K6	H5-J5	H6-G6	H7-F5	H8-D6	H9-C5	H10-A6
J1-P5	(J2-N5)	J3-L5	(J4-K5)	J5-H5	(J6-G5)	J7-E5	(J8-D5)	J9-B5	(J10-A5)
(K1-Q4)	K2-P4	(K3-M4)	K4-L4	(K5-J4)	K6-H4	(K7-F4)	K8-E4	(K9-C4)	K10-B4
L1-Q3	L2-N4	L3-M3	L4-K4	L5-J3	L6-G4	L7-F3	L8-D4	L9-C3	L10-A4
M1-P3	(M2-N3)	M3-L3	(M4-K3)	M5-H3	(M6-G3)	M7-E3	(M8-D3)	M9-B3	(M10-A3)
(N1-Q2)	N2-P2	(N3-M2)	N4-L2	(N5-J2)	N6-H2	(N7-F2)	N8-E2	(N9-C2)	N10-B2
P1-Q1	P2-N2	P3-M1	P4-K2	P5-J1	P6-G2	P7-F1	P8-D2	P9-C1	P10-A2
Q1-P1	(Q2-N1)	Q3-L1	(Q4-K1)	Q5-H1	(Q6-G1)	Q7-E1	(Q8-D1)	Q9-B1	(Q10-A1)

NOTE: PINOUTS SHOWN IN BALLOONS ARE GROUNDS.
 PINOUTS SHOWN ARE FOR SQUARE (10 COLUMN) PATTERN ONLY.

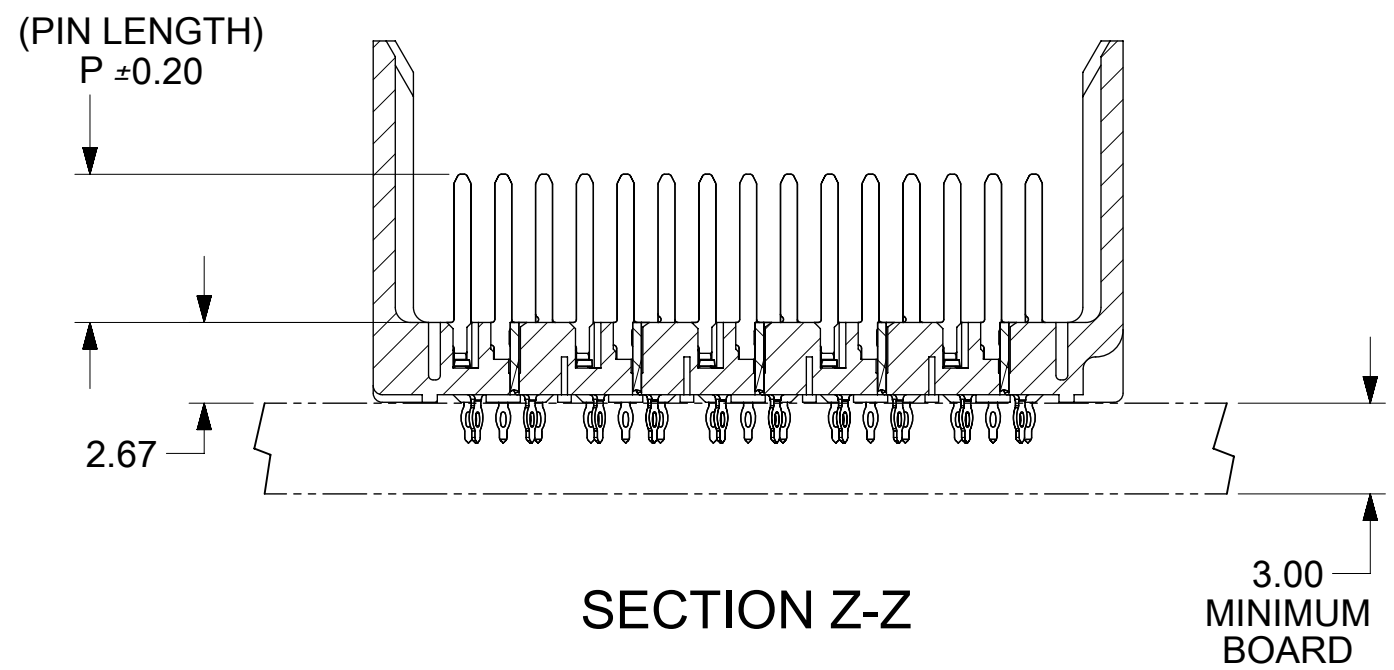
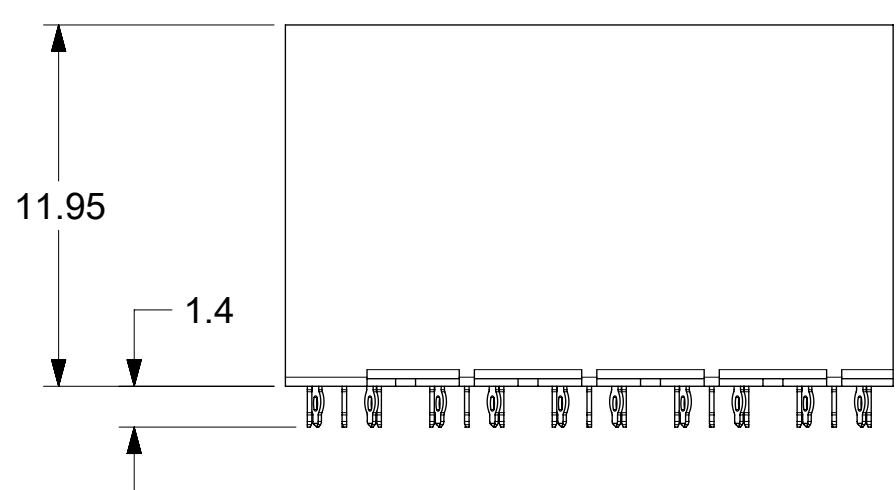


ORTHO OPTION 90
 NEAR SIDE PIN A1 MAPS
 TO FAR SIDE PIN Q10
 (FOR SQUARE PATTERN)

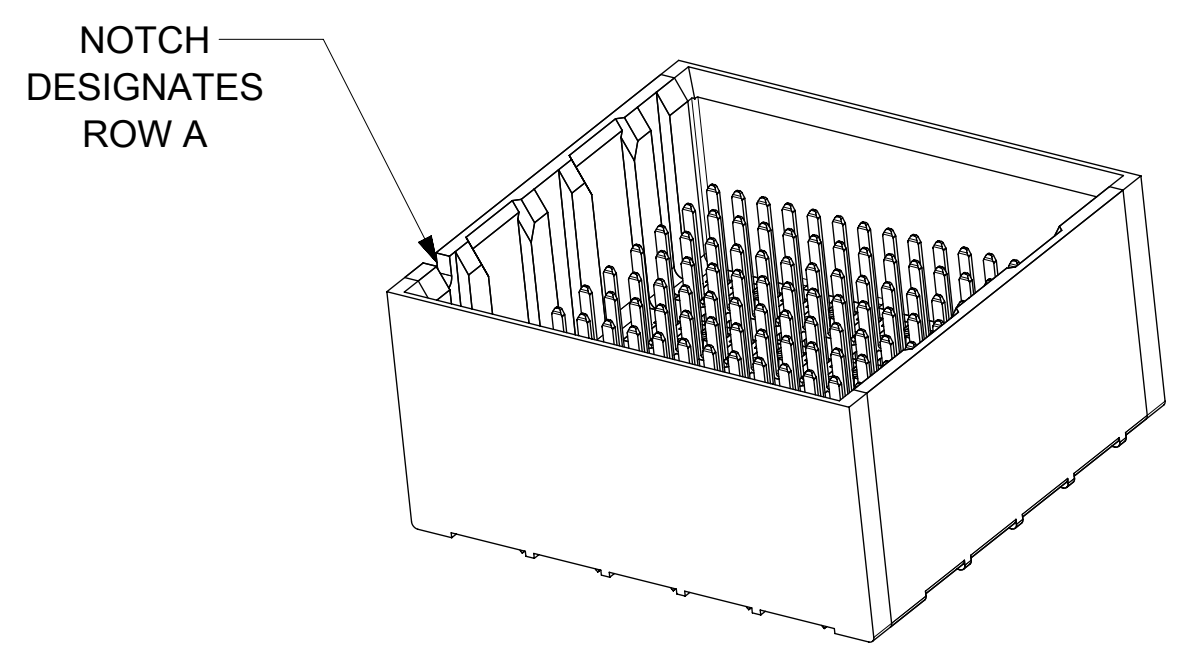
SEE SHEET 1 EC NO: UCP2014-2268 DRWNR: ARIZV101 CHKD: TELO APPR: TELO	REV A	DESCRIPTION 2013/03/05 2013/11/22 2013/12/04	QUALITY SYMBOLS ▽=0 ▽=0 ▽=0	GENERAL TOLERANCES (UNLESS SPECIFIED)		DIMENSION STYLE MM ONLY		SCALE 4:1	DESIGN UNITS METRIC	THIRD ANGLE PROJECTION		
				4 PLACES ±	mm	INCH	DRAWN BY ARIZV101	DATE 2013/03/05	TITLE IMPACT 5 PAIR HEADER ORTHOGONAL ASSEMBLY UNGUIDED SALES DRAWING molex			
				3 PLACES ±	mm	INCH	CHECKED BY JMENDOZA	DATE 2013/11/22				
				2 PLACES ±0.13	mm	INCH	APPROVED BY TELO	DATE 2013/12/04	MATERIAL NO. SEE CHART	DOCUMENT NO. SD-171884-0001	SHEET NO. 4 OF 4	
1 PLACE ±0.25	mm	INCH	ANGULAR ±1/2°		DRAFT WHERE APPLICABLE MUST REMAIN WITHIN DIMENSIONS							
0 PLACE ±	mm	INCH	THIS DRAWING CONTAINS INFORMATION THAT IS PROPRIETARY TO MOLEX INCORPORATED AND SHOULD NOT BE USED WITHOUT WRITTEN PERMISSION									



BACKPLANE HOLE PATTERN
(CONNECTOR SIDE)



SECTION Z-Z



(DUAL ENDWALL SHOWN)

- NOTES:
1. MATERIALS: HOUSING - LIQUID CRYSTAL POLYMER (LCP)
GLASS-FILLED, UL94V-0
TERMINALS - HIGH PERFORMANCE COPPER ALLOY
 2. FINISH: 3μ MIN GOLD IN CONTACT AREA.
SELECTIVE TIN OR TIN-LEAD ON PCB TAILS.
NICKEL OVERALL.
 3. REFER TO MOLEX PRODUCT SPECIFICATION PS-76060-999
FOR PERFORMANCE SPECIFICATIONS AND ADDITIONAL PCB INFORMATION.
 4. THIS PART CONFORMS TO CLASS B REQUIREMENTS OF
COSMETIC SPEC PS-45499-002.
 5. PRODUCT IS PACKAGED PER PK-70873-7707.
 6. SEE SHEETS 2 THRU 4 FOR PART NUMBERS AND ORTHOGONAL PIN MAPPING.
 7. REFER TO MOLEX SALES DRAWING SD-76990-001 FOR THE MATING RECEPTACLES.
 8. REFER TO MOLEX ROUTING GUIDE AS-76850-990 FOR ADDITIONAL PCB LAYOUT
AND ROUTING RECOMMENDATIONS.
 9. "THESE DIMENSIONS REPRESENT THE AREA NEEDED TO ACCOMODATE CONNECTOR
INSERTION AND REPAIR ON THE PC BOARD. THIS DOES NOT REPRESENT
THE ACTUAL PERIMETER OF THE CONNECTOR."

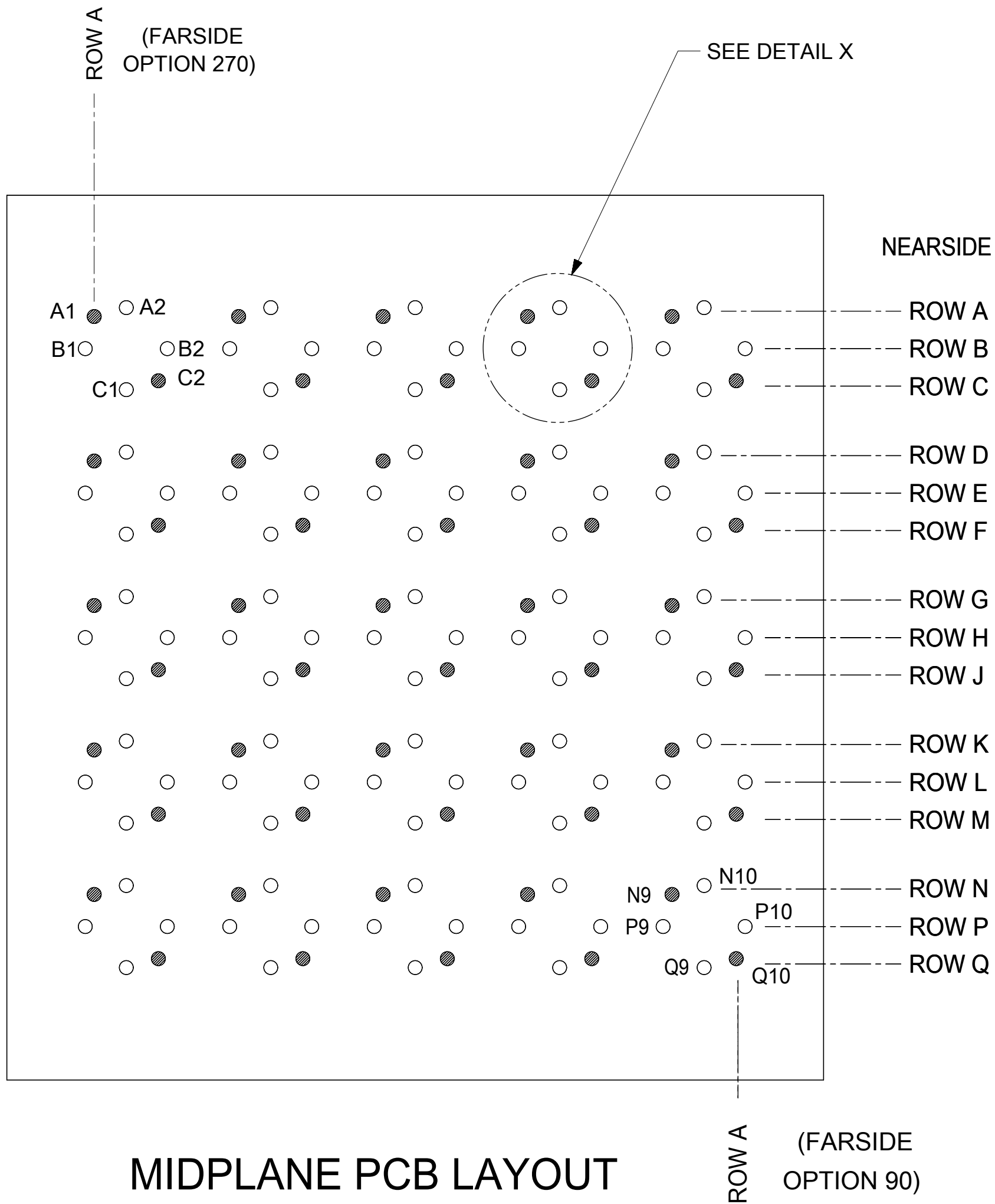
SYMBOLS	THIS DRAWING CONTAINS INFORMATION THAT IS PROPRIETARY TO MOLEX ELECTRONIC TECHNOLOGIES, LLC AND SHOULD NOT BE USED WITHOUT WRITTEN PERMISSION		
	DIMENSION UNITS	SCALE	CURRENT REV DESC: MIGRATED TO NX
▽ = 0	mm	4:1	EC NO: 609931 DRWN: JKUMARSARAFS 2018/10/17 CHK'D: RSHIVANANDKE 2019/01/02 APPR: CWANG25 2019/01/11
▽ = 0	GENERAL TOLERANCES (UNLESS SPECIFIED)		
▽ = 0	ANGULAR TOL ± 0.5°		INITIAL REVISION: DRWN: JLAURX 4/28/09 APPR: JBINGHAM 2010/01/14
▽ = 0	4 PLACES	±	
▽ = 0	3 PLACES	±	THIRD ANGLE PROJECTION
▽ = 0	2 PLACES	± 0.13	
▽ = 0	1 PLACE	± 0.25	DRAWING SERIES
▽ = 0	0 PLACES	±	
▽ = 0	DRAFT WHERE APPLICABLE MUST REMAIN WITHIN DIMENSIONS		DRAWING SERIES
▽ = 0			C-SIZE 76985

molex

IMPACT 5 PAIR HEADER
ORTHOGONAL ASSEMBLY UNGUIDED SALES
DRAWING

PRODUCT CUSTOMER DRAWING

DOCUMENT NUMBER	DOC TYPE	DOC PART	REVISION
SD-76985-001	PSD	001	F1
MATERIAL NUMBER	CUSTOMER	SHEET NUMBER	
SEE CHART	GENERAL MARKET	1 OF 4	



MIDPLANE PCB LAYOUT
SCALE 8:1

MATERIAL NUMBER	# OF COLUMNS	# OF DIFF PAIR	DIM A	DIM B	DIM C
76985-*80*	8	40	16.1	14.05	14.45
76985-*82*	8	40	18.9	14.05	14.45
76985-*10*	10	50	20.1	18.10	18.50
76985-*12*	10	50	22.9	18.10	18.50
76985-*20*	12	60	24.2	22.15	22.55
76985-*22*	12	60	27.0	22.15	22.55

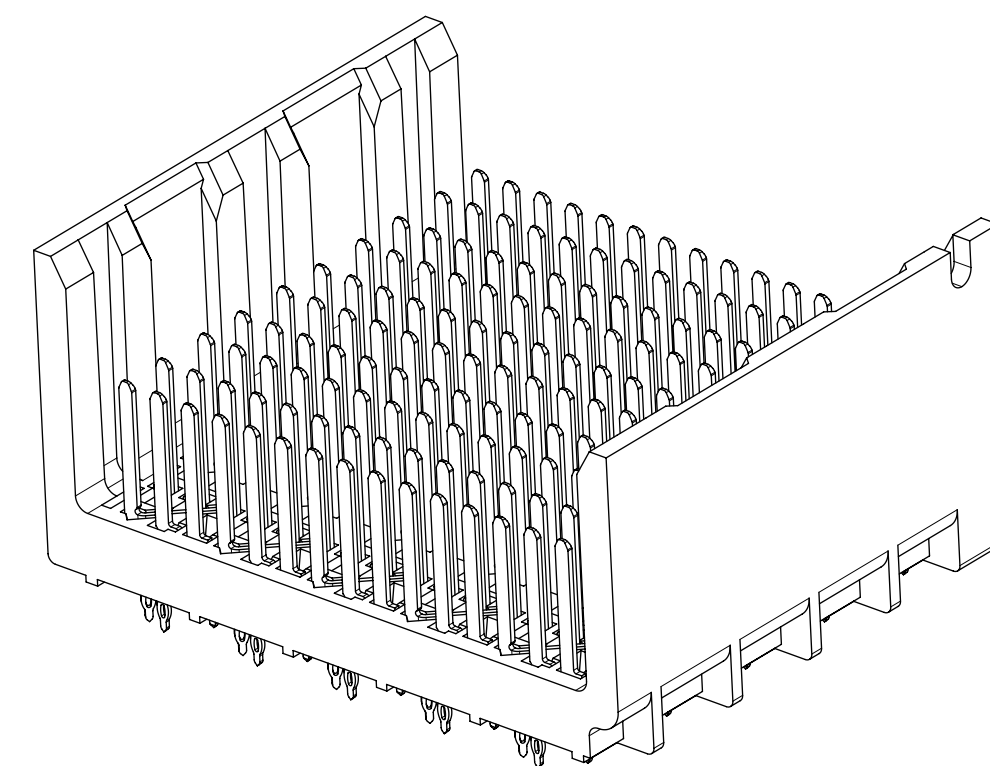
76985-* * * *

MODULE & TAIL PLATING TYPE
0 = UNGUIDED, TIN/LEAD
1 = UNGUIDED, TIN

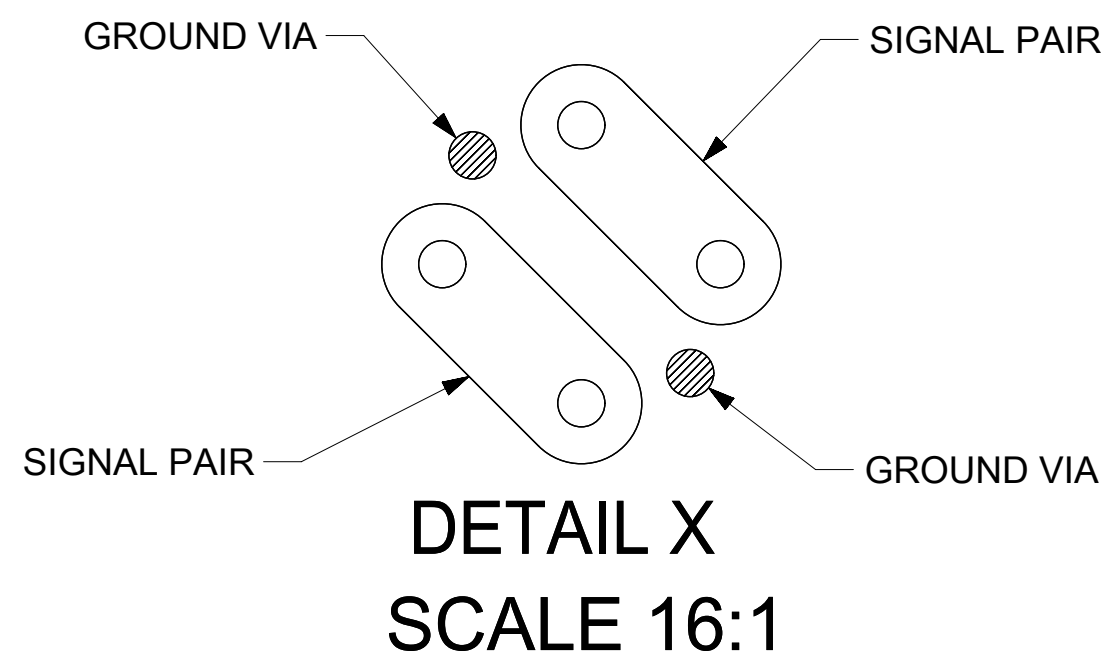
OF COLUMNS
8 = 8 COLUMN
1 = 10 COLUMN
2 = 12 COLUMN

PIN LENGTH (P)
4 = 4.90 (0.46 PTH)
5 = 5.50 (0.46 PTH)
7 = 4.90 (0.39 PTH)
8 = 5.50 (0.39 PTH)

ENDWALL OPTIONS
0 = OPEN ENDS
2 = DUAL ENDWALL



OPEN END OPTION



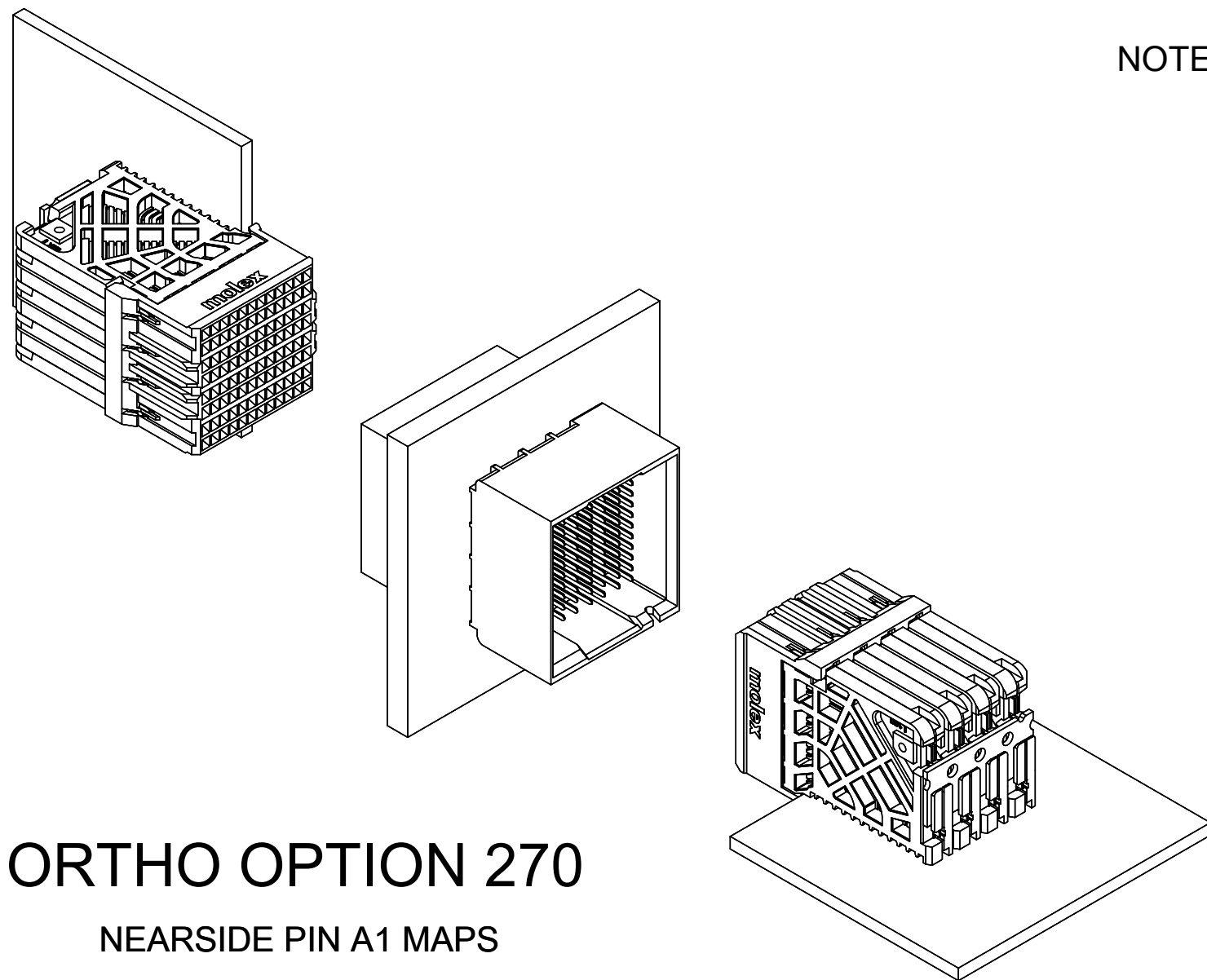
THIS DRAWING CONTAINS INFORMATION THAT IS PROPRIETARY TO MOLEX ELECTRONIC TECHNOLOGIES, LLC AND SHOULD NOT BE USED WITHOUT WRITTEN PERMISSION													
SYMBOLS		DIMENSION UNITS	SCALE	CURRENT REV DESC: MIGRATED TO NX				molex					
▽ = 0	▽ = 0	mm	4:1	EC NO: 609931 DRWN: JKUMARSARAFS 2018/10/17 CHK'D: RSHIVANANDKE 2019/01/02 APPR: CWANG25 2019/01/11				IMPACT 5 PAIR HEADER ORTHOGONAL ASSEMBLY UNGUIDED SALES DRAWING					
▽ = 0	▽ = 0	GENERAL TOLERANCES (UNLESS SPECIFIED)										PRODUCT CUSTOMER DRAWING	
▽ = 0	▽ = 0	ANGULAR TOL ± 0.5°		INITIAL REVISION:				DOCUMENT NUMBER		DOC TYPE	DOC PART	REVISION	
▽ = 0	▽ = 0	4 PLACES ±		DRWN: JLAURX 4/28/09				SD-76985-001		PSD	001	F1	
▽ = 0	▽ = 0	3 PLACES ±		APPR: JBINGHAM 2010/01/14				MATERIAL NUMBER		CUSTOMER		SHEET NUMBER	
▽ = 0	▽ = 0	2 PLACES ± 0.13		THIRD ANGLE PROJECTION		DRAWING		SERIES		SEE CHART		GENERAL MARKET	2 OF 4
▽ = 0	▽ = 0	1 PLACE ± 0.25		DRAFT WHERE APPLICABLE MUST REMAIN WITHIN DIMENSIONS		C-SIZE		76985					
▽ = 0	▽ = 0	0 PLACES ±											

ORTHO PIN MAPPING

OPTION 270 (NEARSIDE - FAR SIDE)

A1-A1	A2-B1	A3-D1	A4-E1	A5-G1	A6-H1	A7-K1	A8-L1	A9-N1	A10-P1
B1-A2	B2-C1	B3-D2	B4-F1	B5-G2	B6-J1	B7-K2	B8-M1	B9-N2	B10-Q1
C1-B2	C2-C2	C3-E2	C4-F2	C5-H2	C6-J2	C7-L2	C8-M2	C9-P2	C10-Q2
D1-A3	D2-B3	D3-D3	D4-E3	D5-G3	D6-H3	D7-K3	D8-L3	D9-N3	D10-P3
E1-A4	E2-C3	E3-D4	E4-F3	E5-G4	E6-J3	E7-K4	E8-M3	E9-N4	E10-Q3
F1-B4	F2-C4	F3-E4	F4-F4	F5-H4	F6-J4	F7-L4	F8-M4	F9-P4	F10-Q4
G1-A5	G2-B5	G3-D5	G4-E5	G5-G5	G6-H5	G7-K5	G8-L5	G9-N5	G10-P5
H1-A6	H2-C5	H3-D6	H4-F5	H5-G6	H6-J5	H7-K6	H8-M5	H9-N6	H10-Q5
J1-B6	J2-C6	J3-E6	J4-F6	J5-H6	J6-J6	J7-L6	J8-M6	J9-P6	J10-Q6
K1-A7	K2-B7	K3-D7	K4-E7	K5-G7	K6-H7	K7-K7	K8-L7	K9-N7	K10-P7
L1-A8	L2-C7	L3-D8	L4-F7	L5-G8	L6-J7	L7-K8	L8-M7	L9-N8	L10-Q7
M1-B8	M2-C8	M3-E8	M4-F8	M5-H8	M6-J8	M7-L8	M8-M8	M9-P8	M10-Q8
N1-A9	N2-B9	N3-D9	N4-E9	N5-G9	N6-H9	N7-K9	N8-L9	N9-N9	N10-P9
P1-A10	P2-C9	P3-D10	P4-F9	P5-G10	P6-J9	P7-K10	P8-M9	P9-N10	P10-Q9
Q1-B10	Q2-C10	Q3-E10	Q4-F10	Q5-H10	Q6-J10	Q7-L10	Q8-M10	Q9-P10	Q10-Q10

NOTE: PINOUTS SHOWN IN BALLOONS ARE GROUNDS.
 PINOUTS SHOWN ARE FOR SQUARE (10 COLUMN) PATTERN ONLY.



ORTHO OPTION 270
 NEARSIDE PIN A1 MAPS
 TO FAR SIDE PIN A1

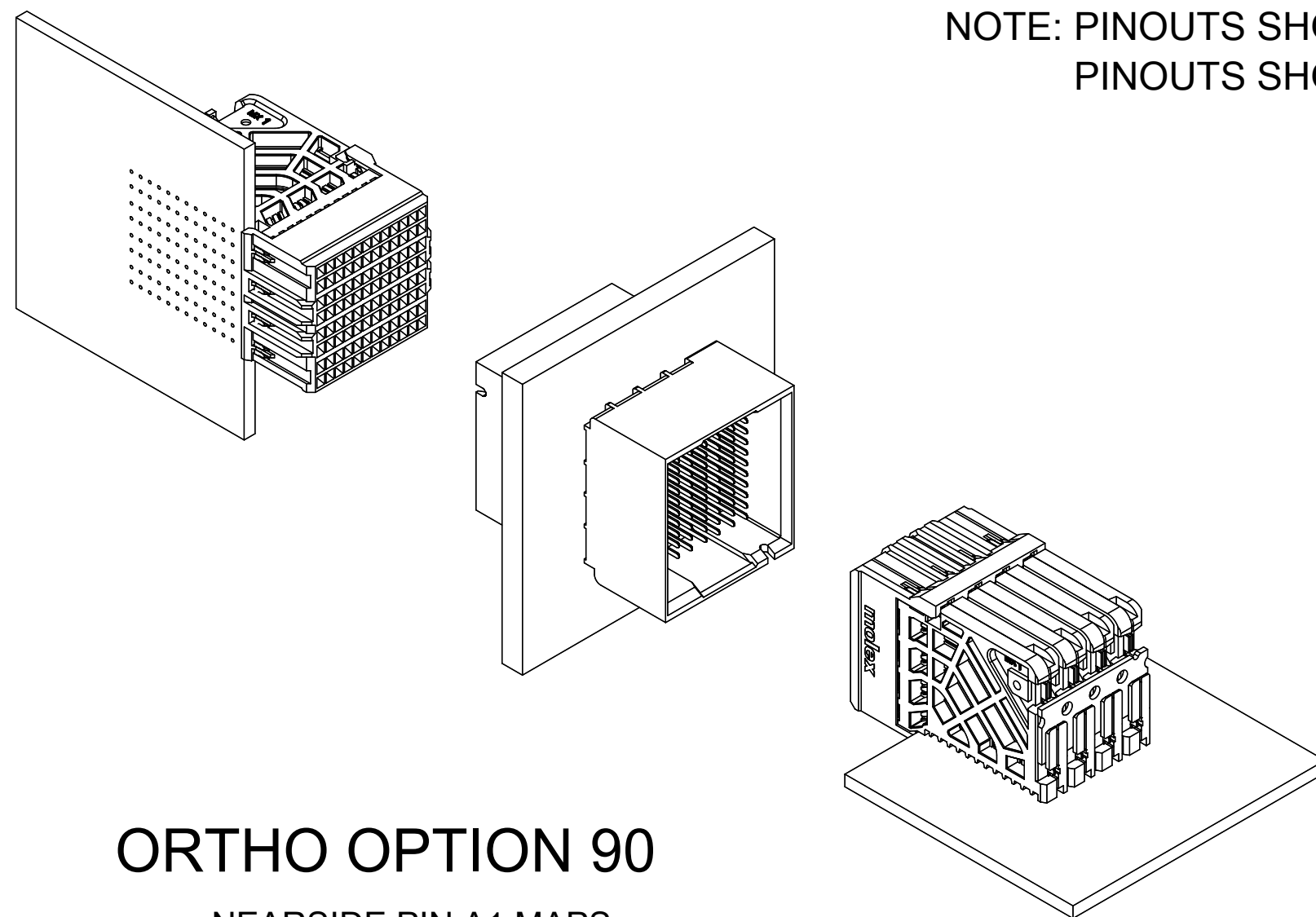
SYMBOLS ▽ = 0 ▽ = 0 ▽ = 0 ▽ = 0 ▽ = 0 ▽ = 0 ▽ = 0 ▽ = 0 ▽ = 0 ▽ = 0 ▽ = 0	THIS DRAWING CONTAINS INFORMATION THAT IS PROPRIETARY TO MOLEX ELECTRONIC TECHNOLOGIES, LLC AND SHOULD NOT BE USED WITHOUT WRITTEN PERMISSION		
	DIMENSION UNITS	SCALE	CURRENT REV DESC: MIGRATED TO NX
	mm	8:1	
	GENERAL TOLERANCES (UNLESS SPECIFIED)		
	ANGULAR TOL	± 0.5°	
4 PLACES	±	EC NO: 609931	
3 PLACES	±	DRWN: JKUMARSARAFS 2018/10/17	
2 PLACES	± 0.13	CHK'D: RSHIVANANDKE 2019/01/02	
1 PLACE	± 0.25	APPR: CWANG25 2019/01/11	
0 PLACES	±	INITIAL REVISION:	
		DRWN: JLAURX 4/28/09	
		APPR: JBINGHAM 2010/01/14	
DRAFT WHERE APPLICABLE MUST REMAIN WITHIN DIMENSIONS	THIRD ANGLE PROJECTION	DRAWING	SERIES
		C-SIZE	76985
DOCUMENT NUMBER		DOC TYPE	DOC PART
SD-76985-001		PSD	001
MATERIAL NUMBER		CUSTOMER	SHEET NUMBER
SEE CHART		GENERAL MARKET	3 OF 4
REVISION		F1	

ORTHO PIN MAPPING

OPTION 90 (NEARSIDE - FAR SIDE)

A1-Q10	A2-P10	A3-M10	A4-L10	A5-J10	A6-H10	A7-F10	A8-E10	A9-C10	A10-B10
B1-Q9	B2-N10	B3-M9	B4-K10	B5-J9	B6-G10	B7-F9	B8-D10	B9-C9	B10-A10
C1-P9	C2-N9	C3-L9	C4-K9	C5-H9	C6-G9	C7-E9	C8-D9	C9-B9	C10-A9
D1-Q8	D2-P8	D3-M8	D4-L8	D5-J8	D6-H8	D7-F8	D8-E8	D9-C8	D10-B8
E1-Q7	E2-N8	E3-M7	E4-K8	E5-J7	E6-G8	E7-F7	E8-D8	E9-C7	E10-A8
F1-P7	F2-N7	F3-L7	F4-K7	F5-H7	F6-G7	F7-E7	F8-D7	F9-B7	F10-A7
G1-Q6	G2-P6	G3-M6	G4-L6	G5-J6	G6-H6	G7-F6	G8-E6	G9-C6	G10-B6
H1-Q5	H2-N6	H3-M5	H4-K6	H5-J5	H6-G6	H7-F5	H8-D6	H9-C5	H10-A6
J1-P5	J2-N5	J3-L5	J4-K5	J5-H5	J6-G5	J7-E5	J8-D5	J9-B5	J10-A5
K1-Q4	K2-P4	K3-M4	K4-L4	K5-J4	K6-H4	K7-F4	K8-E4	K9-C4	K10-B4
L1-Q3	L2-N4	L3-M3	L4-K4	L5-J3	L6-G4	L7-F3	L8-D4	L9-C3	L10-A4
M1-P3	M2-N3	M3-L3	M4-K3	M5-H3	M6-G3	M7-E3	M8-D3	M9-B3	M10-A3
N1-Q2	N2-P2	N3-M2	N4-L2	N5-J2	N6-H2	N7-F2	N8-E2	N9-C2	N10-B2
P1-Q1	P2-N2	P3-M1	P4-K2	P5-J1	P6-G2	P7-F1	P8-D2	P9-C1	P10-A2
Q1-P1	Q2-N1	Q3-L1	Q4-K1	Q5-H1	Q6-G1	Q7-E1	Q8-D1	Q9-B1	Q10-A1

NOTE: PINOUTS SHOWN IN BALLOONS ARE GROUNDS.
PINOUTS SHOWN ARE FOR SQUARE (10 COLUMN) PATTERN ONLY.



ORTHO OPTION 90
NEARSIDE PIN A1 MAPS
TO FAR SIDE PIN Q10
(FOR SQUARE PATTERN)

SYMBOLS	THIS DRAWING CONTAINS INFORMATION THAT IS PROPRIETARY TO MOLEX ELECTRONIC TECHNOLOGIES, LLC AND SHOULD NOT BE USED WITHOUT WRITTEN PERMISSION		
	DIMENSION UNITS	SCALE	CURRENT REV DESC: MIGRATED TO NX
▽ = 0	mm	4:1	molex IMPACT 5 PAIR HEADER ORTHOGONAL ASSEMBLY UNGUIDED SALES DRAWING
▽ = 0	GENERAL TOLERANCES (UNLESS SPECIFIED)		
▽ = 0	ANGULAR TOL ± 0.5°		EC NO: 609931 DRWN: JKUMARSARAFS 2018/10/17 CHK'D: RSHIVANANDKE 2019/01/02 APPR: CWANG25 2019/01/11
▽ = 0	4 PLACES ±		
▽ = 0	3 PLACES ±		INITIAL REVISION: DRWN: JLAURX 4/28/09 APPR: JBBINGHAM 2010/01/14
▽ = 0	2 PLACES ± 0.13		
▽ = 0	1 PLACE ± 0.25		PRODUCT CUSTOMER DRAWING DOCUMENT NUMBER: SD-76985-001 DOC TYPE: PSD DOC PART: 001 REVISION: F1
▽ = 0	0 PLACES ±		
▽ = 0	DRAFT WHERE APPLICABLE MUST REMAIN WITHIN DIMENSIONS	THIRD ANGLE PROJECTION	MATERIAL NUMBER: SEE CHART CUSTOMER: GENERAL MARKET SHEET NUMBER: 4 OF 4
▽ = 0		DRAWING: C-SIZE	SERIES: 76985