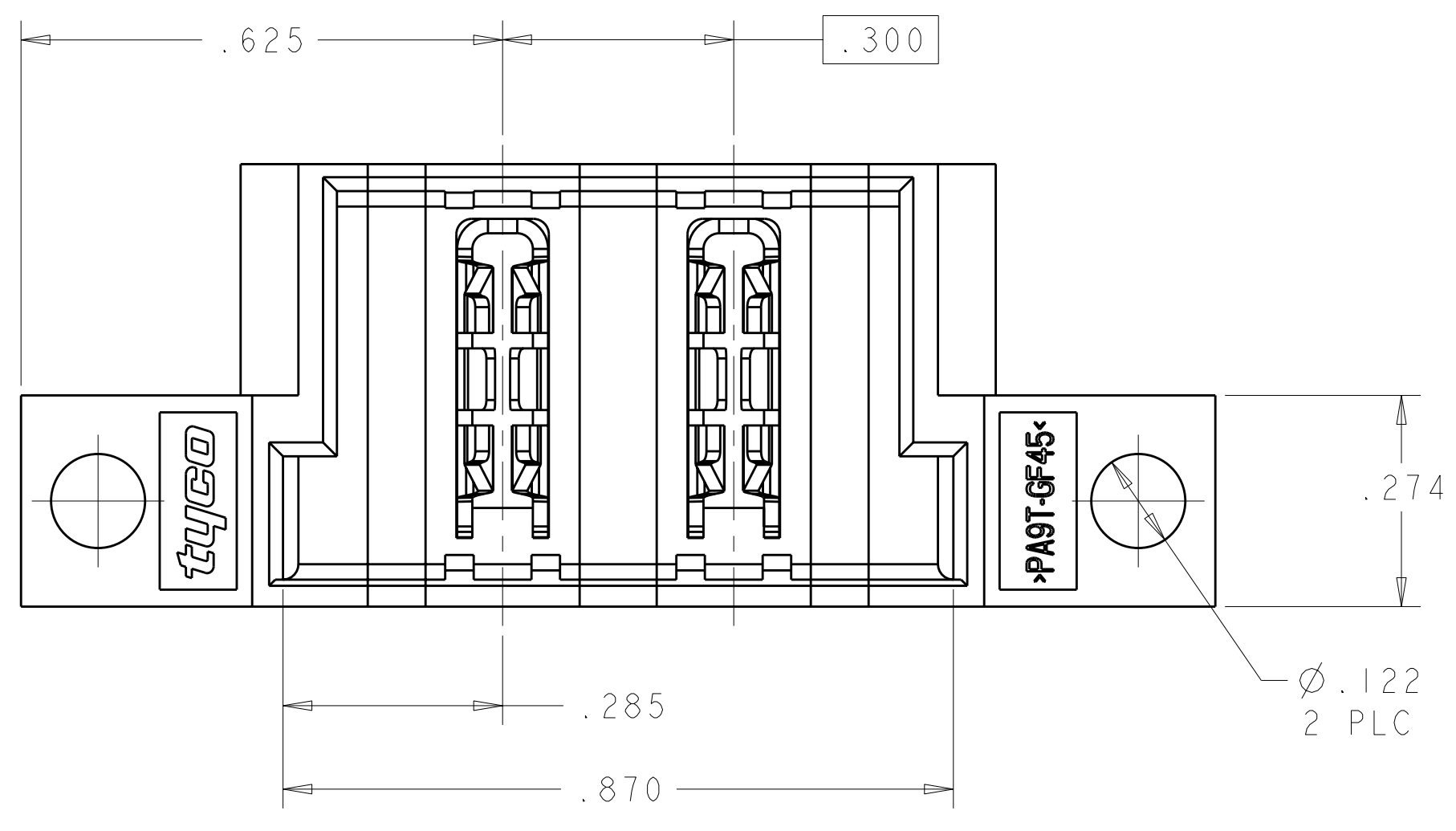
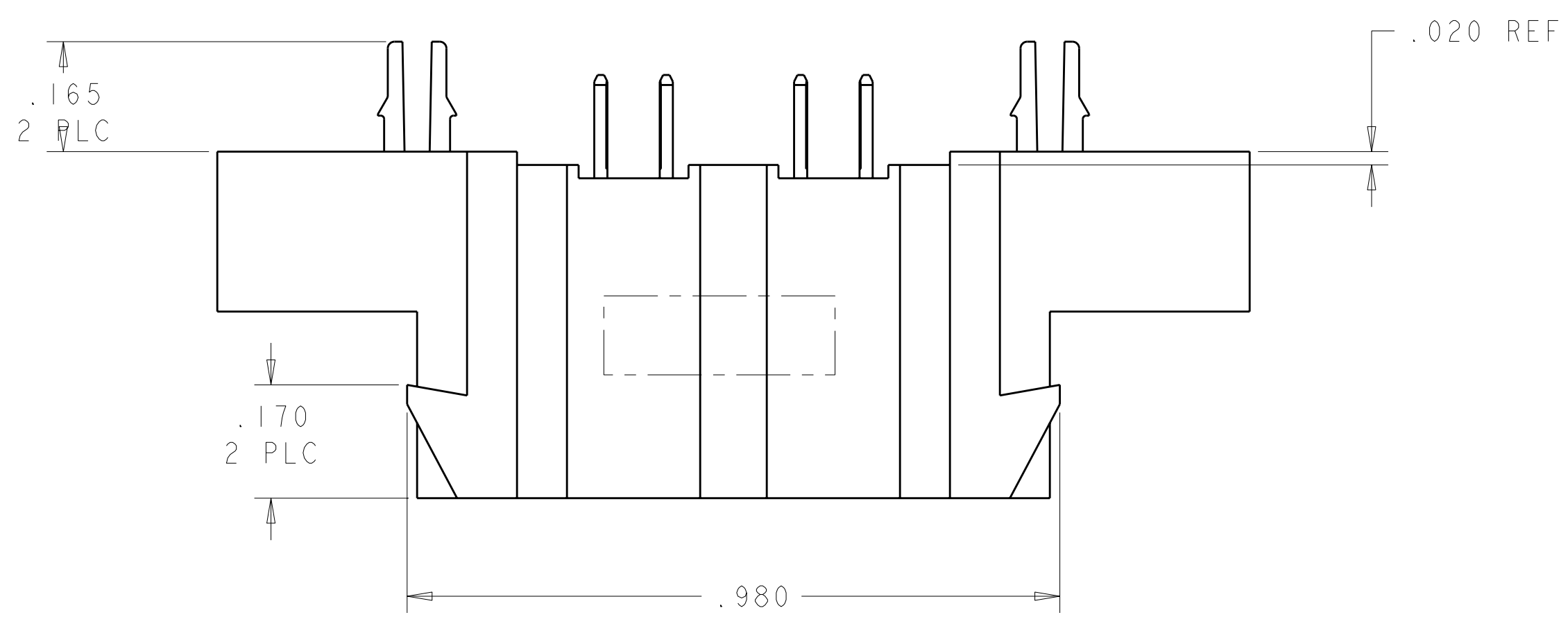
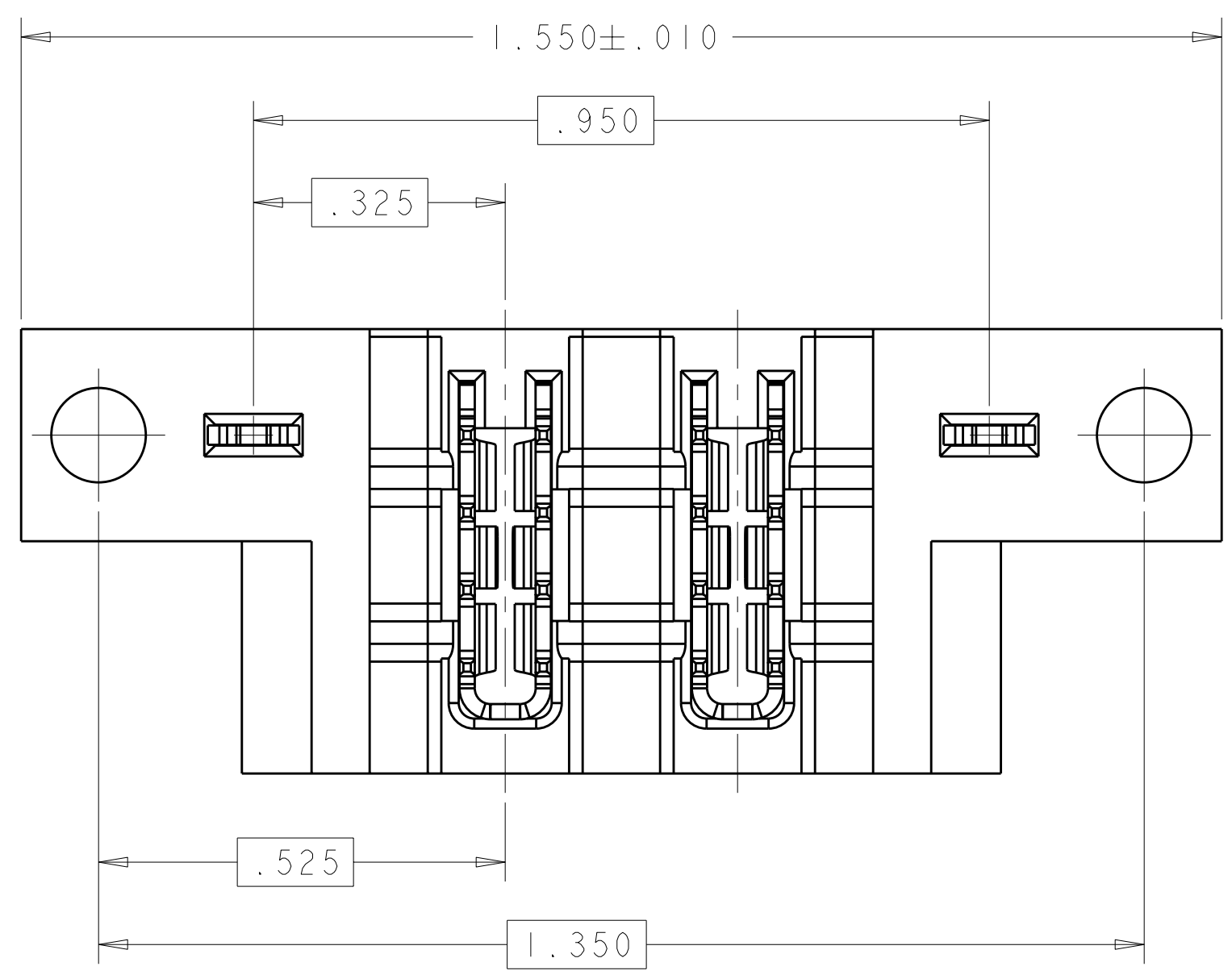
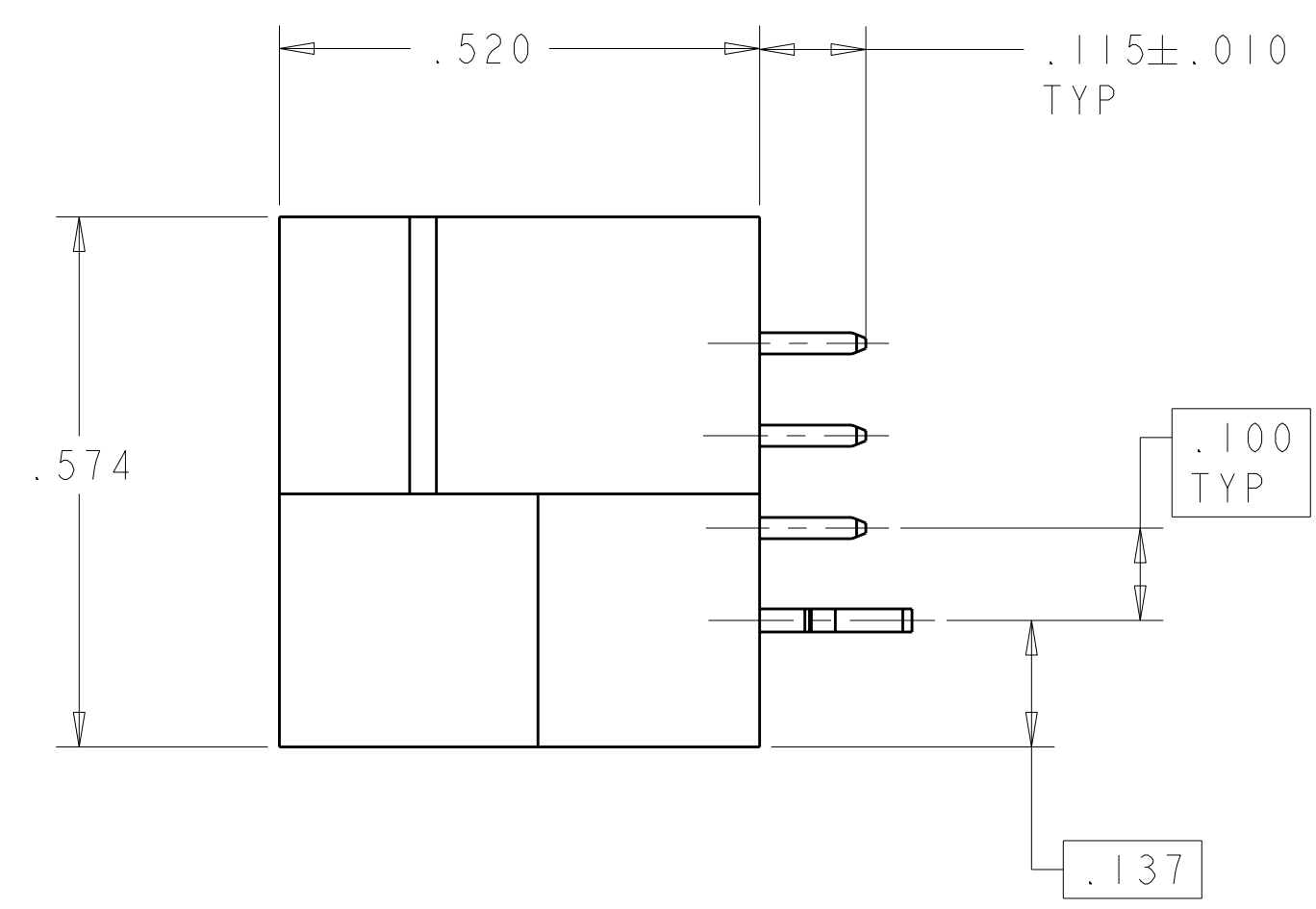


LOC	DIST	REV	DATE	BY	APPD
ES	00	2	28FEB2007	SZ	SY
DESCRIPTION			REV PER ECR-07-004786		



- △ HEADER HOUSING: THERMO PLASTIC, BLACK, UL94 V-0; CONTACTS AND RETENTION CLIPS: COPPER ALLOY.
- △ POWER CONTACTS: .000030 MIN GOLD IN MATING AREA, .000100 MIN TIN ON POST AREAS, BOTH OVER .000050 MIN NICKEL. RETENTION CLIP: .000115 MIN TIN.
- △ "AMP", PART NUMBER AND DATE CODE MARKED IN THIS AREA. PARTS UNDER 2.50 LONG MAY BE MARKED ON BOTH SIDES.
- △ DATUM AND BASIC DIMENSIONS ESTABLISHED BY CUSTOMER.
- △ PCB - ALL HOLE DIAMETERS ARE FINISHED HOLE SIZES.
- △ MECHANICAL CONNECTOR KEEP OUT ZONE.
- △ CUSTOMER SUPPLIES (2) #4-40UNC SCREWS, HARDWARE TO BE USED TO MOUNT HEADER ASSEMBLY TO PC BOARD.

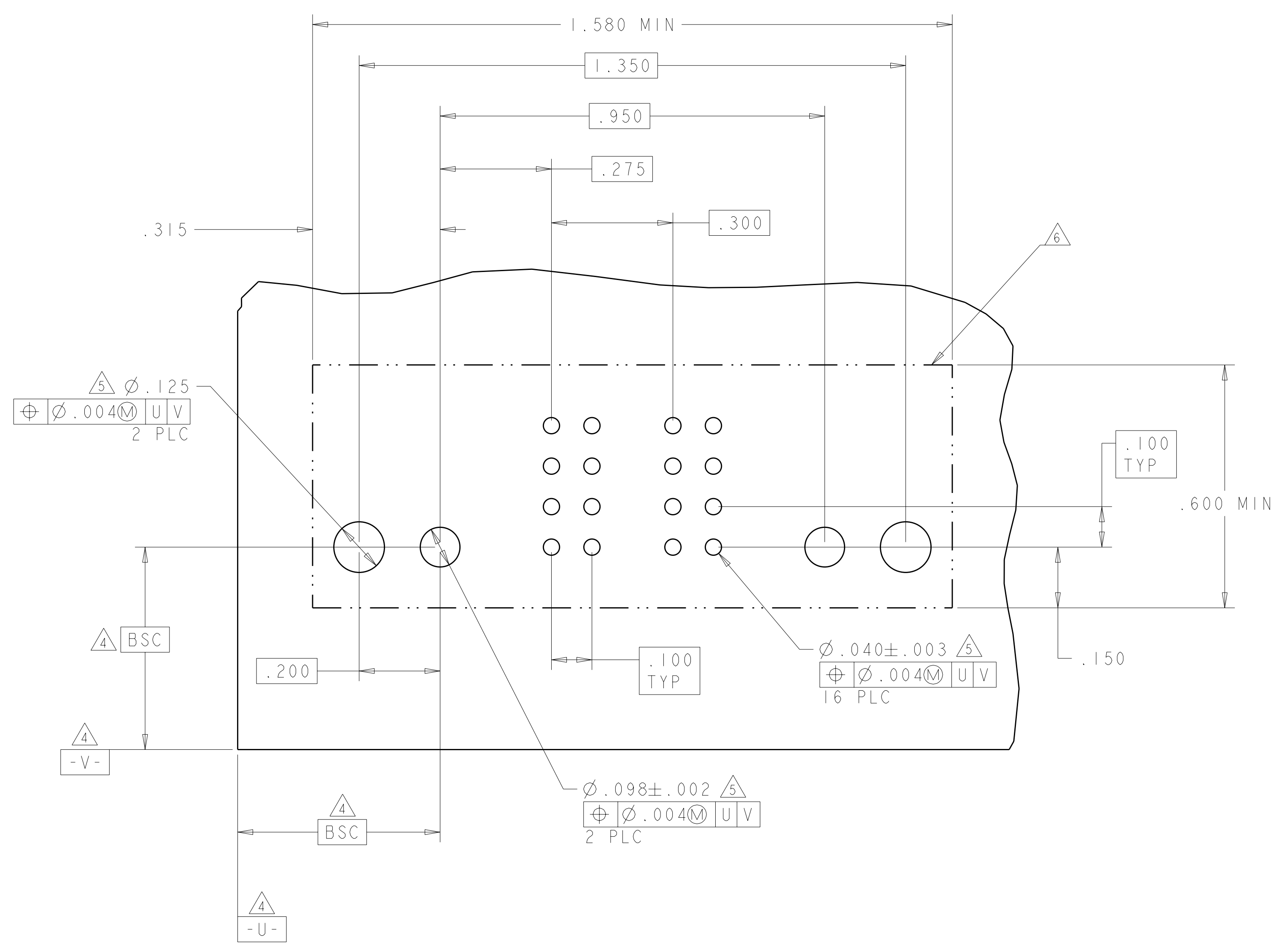


2ACP	292497-1
DESCRIPTION	PART NUMBER

DIMENSIONS: INCHES 		TOLERANCES UNLESS OTHERWISE SPECIFIED: 9 PLC ± 1 PLC ± 2 PLC ± 3 PLC ±.005 4 PLC ± ANGLES ±		DWN S. ZHAO 08JAN2007 CHK S. ZHAO 08JAN2007 APVD S. YAO		Tyco Electronics Shanghai, P.R.China, 200233	
MATERIAL 		FINISH 		PRODUCT SPEC 108-1973		NAME VERICAL HEADER ASSEMBLY, W/LATCH RECEIVERS, SOLDER TAIL, TYPE P, MULTI-BEAM XL	
CUSTOMER DRAWING		WEIGHT -		SIZE CAGE CODE DRAWING NO A1100779C=292497		RESTRICTED TO -	
				SCALE 3:1		SHEET 1 OF 2	
				REV 2			

LOC	DIST	REVISIONS			
ES	00	REV	DATE	BY	APPD
-	-	SEE SHEET 1	-	-	-

PART NUMBER	ROWS	POWER	
		P1	P2
292497-1	D C B A	SZ	SZ
2ACP		HD	HD



MATING SEQUENCE	DESCRIPTION	IDENTIFIER
-	RETENTION CLIP	HD
-	POWER CONTACT	SZ

DIMENSIONS:		TOLERANCES UNLESS OTHERWISE SPECIFIED:		DWN		Tyco Electronics	
INCHES		9 PLC	±	S. ZHAO	08JAN2007	Shanghai, P.R.China, 200233	
		1 PLC	±	CHEK S. ZHAO	08JAN2007		
		2 PLC	±	APVD S. YAO	-		
		3 PLC	±	NAME		VERICAL HEADER ASSEMBLY, W/LATCH	
		4 PLC	±.005	PRODUCT SPEC		RECEIVERS, SOLDER TAIL, TYPE P,	
		ANGLES	±	APPLICATION SPEC		MULTI-BEAM XL	
MATERIAL	FINISH			SIZE	CAGE CODE	DRAWING NO	RESTRICTED TO
-	-			114-13038	A1100779	C=292497	-
				WEIGHT	CUSTOMER DRAWING		SCALE 3:1 SHEET 2 OF 2 REV 2