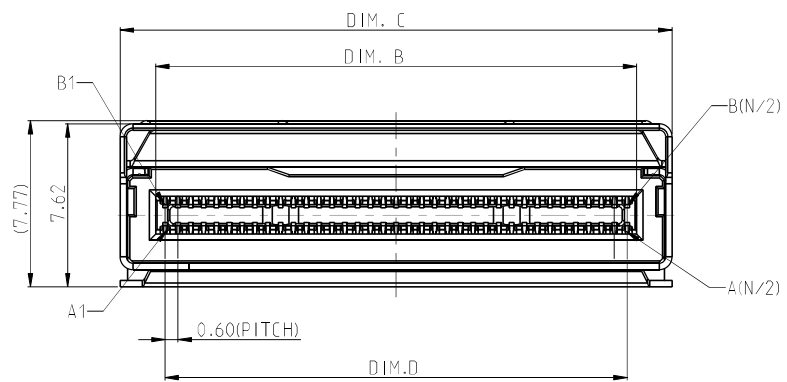


This document is the property of Amphenol Corporation and is delivered on the express condition that it is not to be disclosed, reproduced or used, in whole or in part, for manufacture or sale by anyone other than Amphenol Corporation without its prior consent, and that no right is granted to disclose or to use any information in this document.

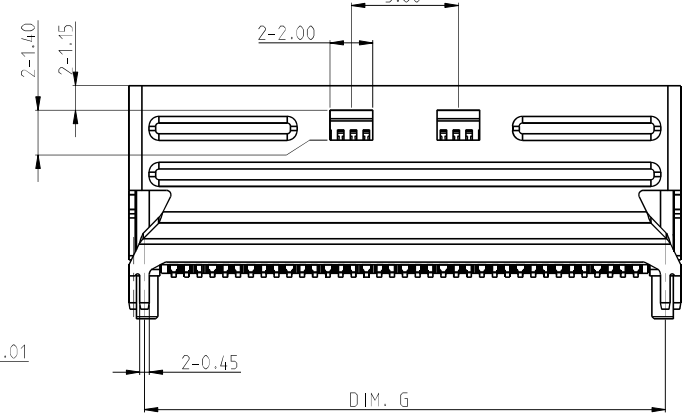
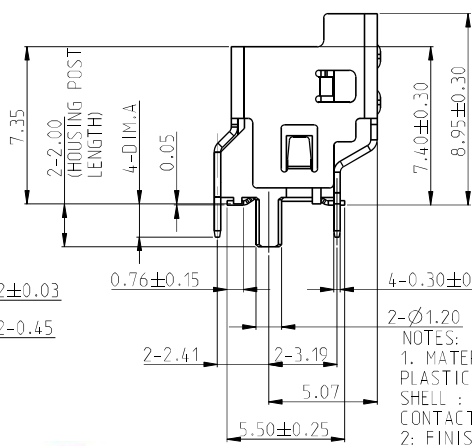
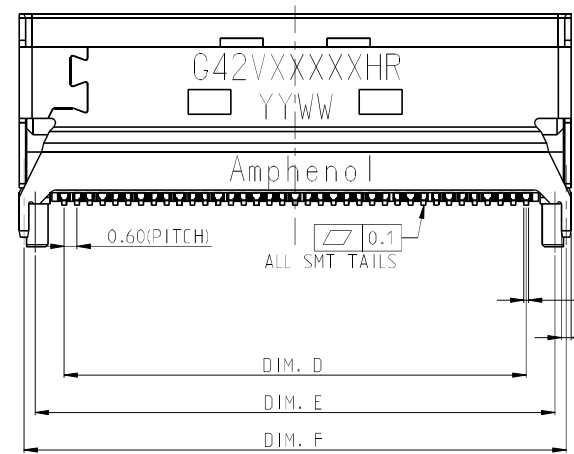
The marking on this product doesn't contain environmental hazardous materials per directive 2011/65/EU & 2015/863/EU for RoHS compliant & per IEC 61249-2-21 for Halogen-Free compliant.

REVISIONS				
SYM	ECN No.	DESCRIPTION	DATE	BY
AX22	NA	ADDED COMPONENT KEEP OUT AREA LIMIT HEIGHT	10/31/2019	JOAN LU
AX23	NA	UPDATED QTY OF PACKAGE	12/17/2019	JOAN LU
AX24	NA	1.CORRECT DIM J IN TABLE FOR G42VX0XXXHR 2.REVISED LATCH HOLE DIMENSION FROM 1.10 TO 1.15MM	09/02/2020	JOAN LU
AX25	NA	RECOMMENDED AIC MATING CARD CHAMFER CHANGE FROM 0.75 TO 0.3	02/02/2021	JOAN LU
AX26	NA	ADDED NOTE ITEM 5	03/02/2021	JOAN LU



MINI COOL EDGE IO INTEGRATED CONNECTOR
 VERTICAL TYPE
 CONNECTOR SPEED
 1 : PAM4 56G, 85ohm
 A : PAM4 56G, 100ohm
 CHANNEL/PIN QTY
 1: 38P(4X+SIDE BAND OR 6X)
 2: 74P(8X+SIDE BAND OR 12X)
 4: 124P(16X+SIDE BAND OR 20X)
 5: 50P(6X+SIDE BAND OR 8X)
 6: 148P(20X+SIDE BAND OR 24X)
 CONTACT FINISH
 2: 15u" GOLD
 3: 30u" GOLD

G42 V X X X X X X X X
 COMPLIANT CODE
 HR: HALOGEN-FREE & RoHS
 VARIATION CODE
 BLANK: STANDARD
 PACKING CODE
 2: TAPE AND REEL(WITH CAP)
 3: TAPE AND REEL(W/O PICK UP)
 SHELL PIN LENGTH OPTION(DIM.A)
 1: 1.50mm
 2: 2.20mm
 3: 3.00mm
 4: 4.20mm
 5: 1.20mm (SHELL PIN AND HOUSING POST)



NOTES:
 1. MATERIALS:
 PLASTICS : HIGH TEMPERATURE THERMOPLASTIC UL94-0.COLOR: BLACK
 SHELL : STAINLESS
 CONTACT: COPPER ALLOY
 2: FINISH
 TERMINAL : CONTACT AREA : SELECTED GOLD PLATING.
 SOLDER AREA : MATTE TIN PLATING 100u"
 UNDER PLATING: NICKEL PLATING 50u"MIN OVER ALL
 SHELL : UNDER PLATING: ELECTROLESS NICKEL PLATING 50u"MIN OVER ALL
 3.THIS PRODUCT DOESN'T CONTAIN ENVIRONMENTAL HAZARDOUS MATERIALS PER DERCTIVE 2011/65/EU & 2015/863/EU FOR RoHS AND PER IEC 61249-2-21 FOR HALOGEN FREE.
 4.PRODUCT SPEC REFER TO PS-7681.
 5.SUPPORT 920HM APPLICATION.



PART NUMBER	POS. (N)	DIM. B	DIM. C	DIM. D	DIM. E	DIM. F	DIM. G
G42VX10XXXHR	38	11.68	15.00	10.80	13.50	14.55	13.55
G42VX50XXXHR	50	15.28	18.60	14.40	17.10	18.15	17.15
G42VX74XXXHR	74	22.48	25.80	21.60	24.30	25.35	24.35

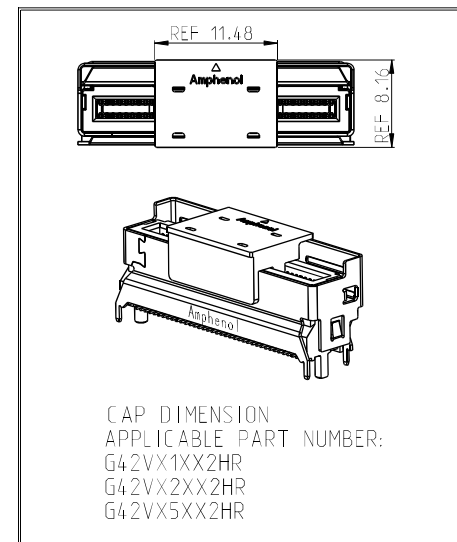
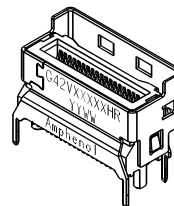
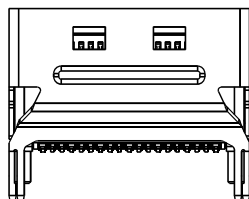
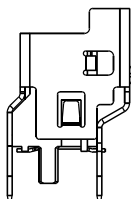
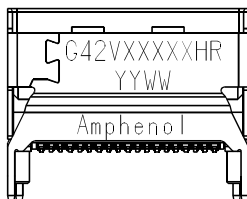
TOLERANCE	APPROVALS	DATE	TITLE	UNIT	SIZE	PART No.
X. X.X ±0.30 X.XX ±0.20 X.XXX ±0.10	DESIGNED Joan Lu	03/02/2021	MINI COOL EDGE IO INTEGRATED CONNECTOR 0.6 PITCH, VERTICAL STANDARD. SMT TYPE	mm	A3	G42VXXXXXHR
ANGULAR ±2°	CHECKED Sondra Sang	03/02/2021		SCALE	SHEET 1 OF 8	DWG No. G42VXXXXXHR
UNLESS OTHERWISE SPECIFIED	APPROVED Hank Hsu	03/02/2021		PROJECT CODE		REV. AX26
	DWG TYPE CUST DWG	1631				

This document is the property of Amphenol Corporation and is delivered on the express condition that it is not to be disclosed, reproduced or used, in whole or in part, for manufacture or sale by anyone other than Amphenol Corporation without its prior consent, and that no right is granted to disclose or to use any information in this document.

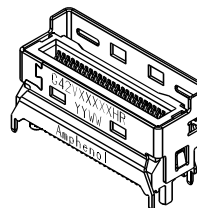
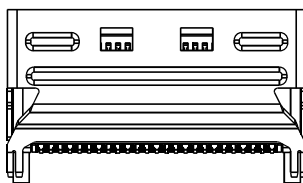
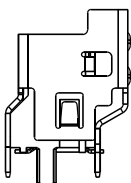
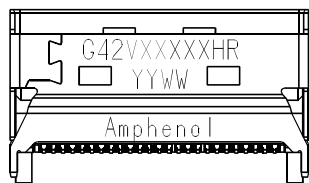
The marking on this product doesn't contain environmental hazardous materials per directive 2011/65/EU & 2015/863/EU for RoHS compliant & per IEC 61249-2-21 for Halogen-Free compliant.

REVISIONS				
SYM	ECN No.	DESCRIPTION	DATE	BY
AX22	NA	ADDED COMPONENT KEEP OUT AREA LIMIT HEIGHT	10/31/2019	JOAN LU
AX23	NA	UPDATED QTY OF PACKAGE	12/17/2019	JOAN LU
AX24	NA	1.CORRECT DIM J IN TABLE FOR G42VXXXXXHR 2.REVISED LATCH HOLE DIMENSION FROM 1.10 TO 1.15MM	09/02/2020	JOAN LU
AX25	NA	RECOMMENDED AIC MATING CARD CHAMFER CHANGE FROM 0.75 TO 0.3	02/02/2021	JOAN LU
AX26	NA	ADDED NOTE ITEM 5	03/02/2021	JOAN LU

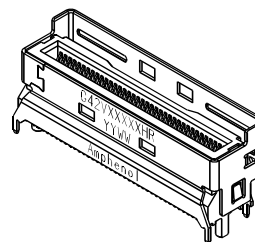
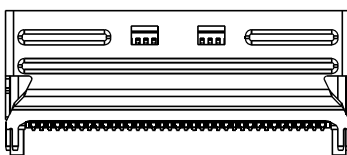
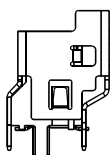
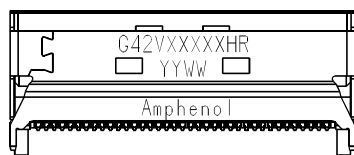
G42VX1XXXHR



G42VX5XXXHR



G42VX2XXXHR

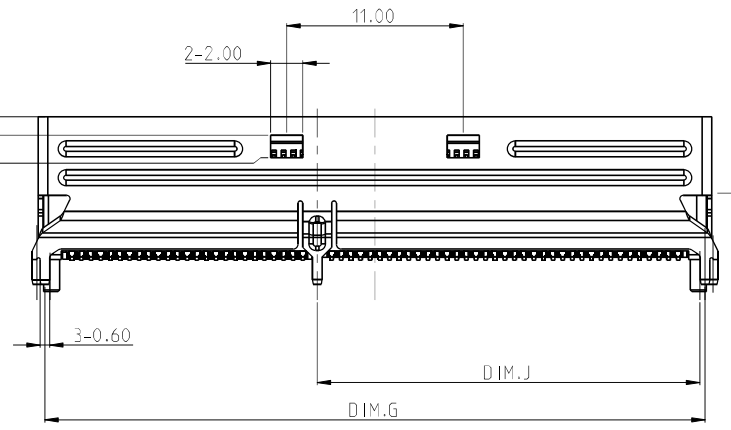
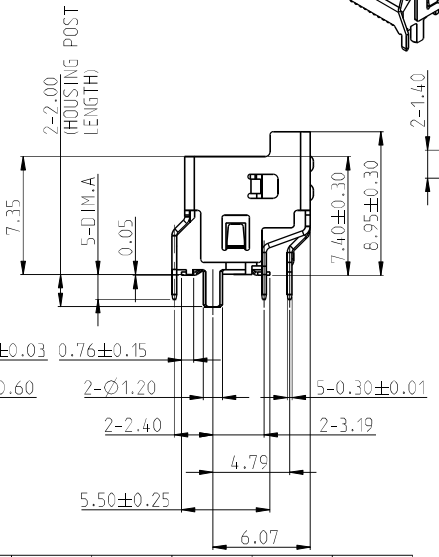
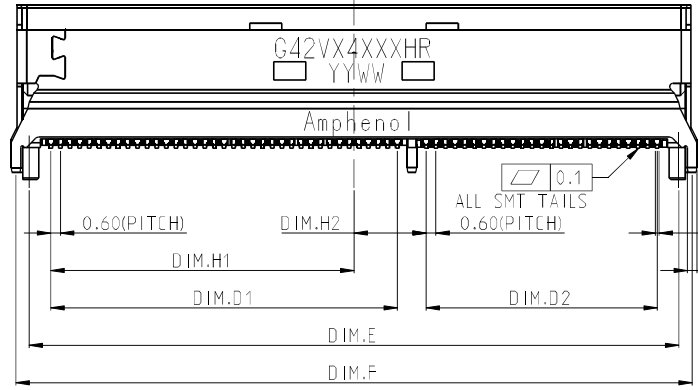
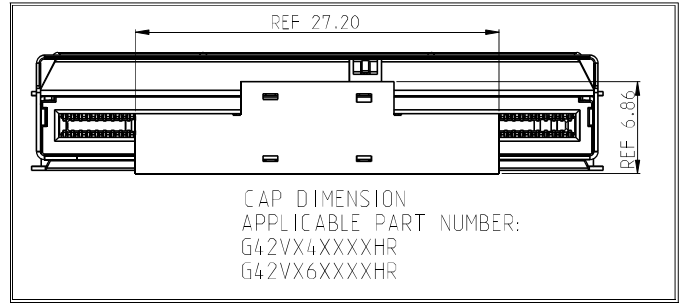
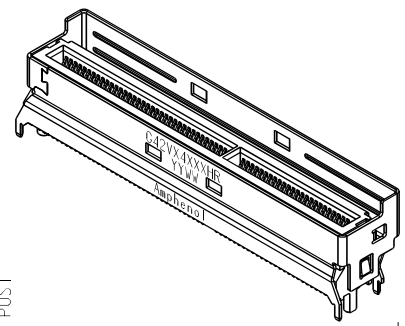
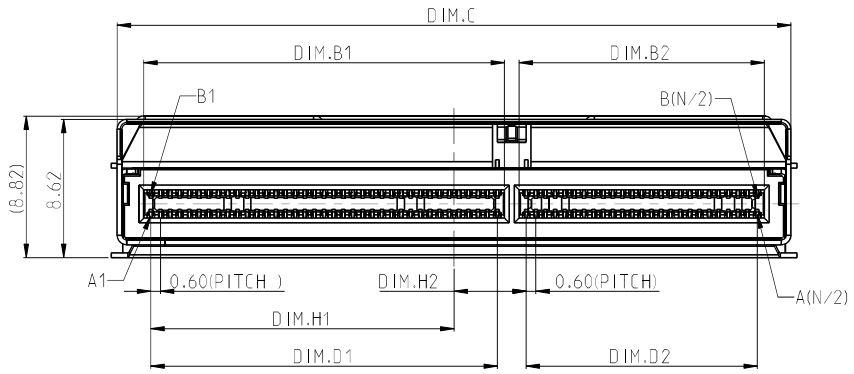


<p>TOLERANCE</p> <p>X. ±0.30</p> <p>X.X ±0.20</p> <p>X.XX ±0.10</p> <p>ANGULAR ±2°</p> <p>UNLESS OTHERWISE SPECIFIED</p>	<p>DRAWN</p> <p>APPROVALS</p>	<p>DATE</p> <p>03/02/2021</p>	<p>TITLE</p> <p>MINI COOL EDGE 10 INTEGRATED CONNECTOR 0.6 PITCH, VERTICAL STANDARD. SMT TYPE</p>	<p>Amphenol®</p> <p>Amphenol Corporation Amphenol Taiwan Corporation</p>		
	<p>DESIGNED</p> <p>Joan Lu</p>	<p>03/02/2021</p>		<p>UNIT</p> <p>MM</p>	<p>SIZE</p> <p>A3</p>	<p>PART No.</p> <p>G42VXXXXXHR</p>
	<p>CHECKED</p> <p>Sondra Sang</p>	<p>03/02/2021</p>		<p>SCALE</p> <p>NA</p>	<p>SHEET</p> <p>2 OF 8</p>	<p>DWG No.</p> <p>G42VXXXXXHR</p>
	<p>APPROVED</p> <p>Hank Hsu</p>	<p>03/02/2021</p>			<p>REV.</p> <p>AX26</p>	
	<p>DWG TYPE</p> <p>CUST DWG</p>	<p>PROJECT CODE</p> <p>T631</p>				

This document is the property of Amphenol Corporation and is delivered on the express condition that it is not to be disclosed, reproduced or used, in whole or in part, for manufacture or sale by anyone other than Amphenol Corporation without its prior consent, and that no right is granted to disclose or to use any information in this document.

The marking on this product doesn't contain environmental hazardous materials per directive 2011/65/EU & 2015/863/EU for RoHS compliant & per IEC 61249-2-21 for Halogen-Free compliant.

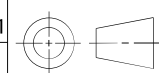
REVISIONS				
SYM	ECN No.	DESCRIPTION	DATE	BY
AX22	NA	ADDED COMPONENT KEEP OUT AREA LIMIT HEIGHT	10/31/2019	JOAN LU
AX23	NA	UPDATED QTY OF PACKAGE	12/17/2019	JOAN LU
AX24	NA	1.CORRECT DIM J IN TABLE FOR G42VX4XXXHR 2.REVISED LATCH HOLE DIMENSION FROM 1.10 TO 1.15MM	09/02/2020	JOAN LU
AX25	NA	RECOMMENDED AIC MATING CARD CHAMFER CHANGE FROM 0.75 TO 0.3	02/02/2021	JOAN LU
AX26	NA	ADDED NOTE ITEM 5	03/02/2021	JOAN LU



PART NUMBER	POS. (N)	DIM. B1	DIM. B2	DIM. C	DIM. D1	DIM. D2	DIM. E	DIM. F	DIM. G	DIM. H1	DIM. H2	DIM. J
G42VX4XXXHR	124	22.48	15.28	42.00	21.60	14.40	40.50	42.15	41.15	18.90	4.50	23.85
G42VX6XXXHR	148	22.48	22.48	49.20	21.60	21.60	47.70	49.35	48.35	22.50	0.90	23.85



TOLERANCE	APPROVALS	DATE	TITLE	PART No.	
X. ±0.30	DESIGNED Joan Lu	03/02/2021	MINI COOL EDGE 10 INTEGRATED CONNECTOR 0.6 PITCH, VERTICAL STANDARD. SMT TYPE	G42VXXXXHR	
X.X ±0.20	CHECKED Sondra Sang	03/02/2021		G42VXXXXHR	
X.XX ±0.10	APPROVED Hank Hsu	03/02/2021		G42VXXXXHR	
ANGULAR ±2°	DWG TYPE CUST DWG	PROJECT CODE T631	UNIT MM	SCALE NA	REV. AX26
UNLESS OTHERWISE SPECIFIED			SIZE A3	SHEET 3 OF 8	



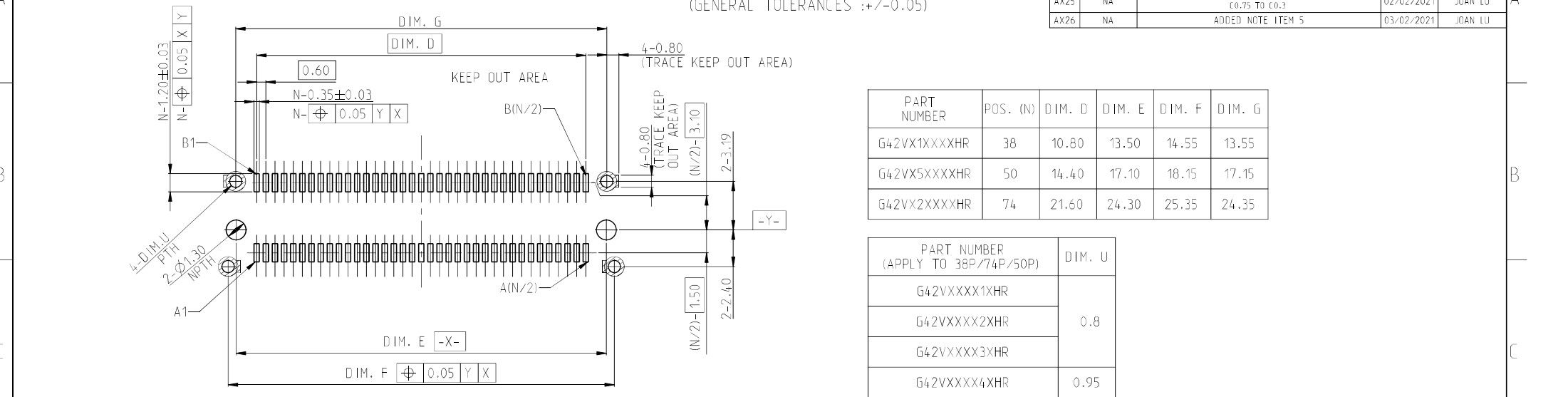
Amphenol®
Amphenol Corporation
Amphenol Taiwan Corporation

This document is the property of Amphenol Corporation and is delivered on the express condition that it is not to be disclosed, reproduced or used, in whole or in part, for manufacture or sale by anyone other than Amphenol Corporation without its prior consent, and that no right is granted to disclose or to use any information in this document.

The marking on this product doesn't contain environmental hazardous materials per directive 2011/65/EU & 2015/863/EU for RoHS compliant & per IEC 61249-2-21 for Halogen-Free compliant.

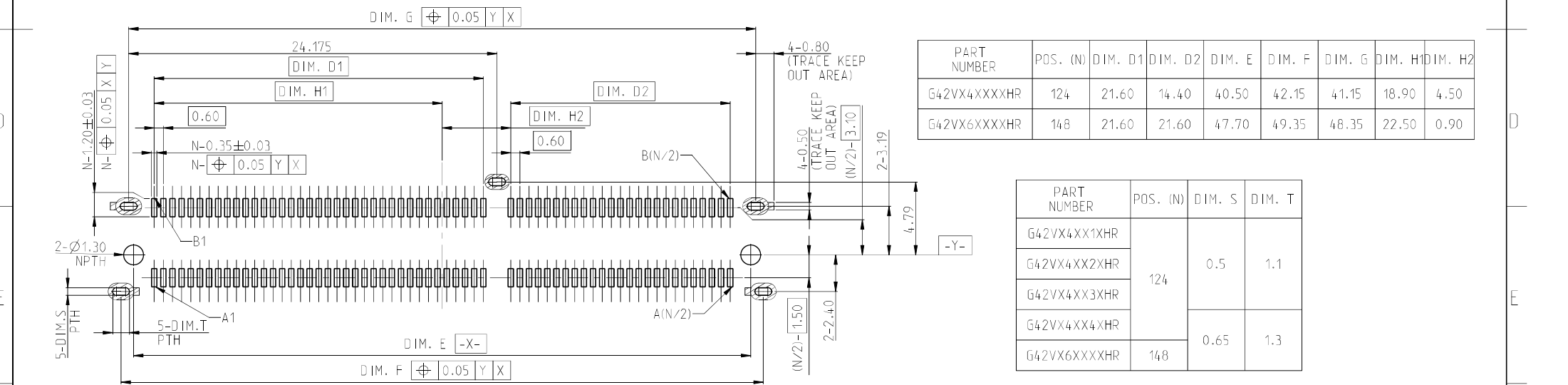
REVISIONS				
SYM	ECN No.	DESCRIPTION	DATE	BY
AX22	NA	ADDED COMPONENT KEEP OUT AREA LIMIT HEIGHT	10/31/2019	JOAN LU
AX23	NA	UPDATED QTY OF PACKAGE	12/17/2019	JOAN LU
AX24	NA	1.CORRECT DIM J IN TABLE FOR G42VXXXXXHR 2.REVISED LATCH HOLE DIMENSION FROM 1.10 TO 1.15MM	09/02/2020	JOAN LU
AX25	NA	RECOMMENDED AIC MATING CARD CHAMFER CHANGE FROM 0.75 TO 0.3	02/02/2021	JOAN LU
AX26	NA	ADDED NOTE ITEM 5	03/02/2021	JOAN LU

RECOMMENDED PCB LAYOUT
(GENERAL TOLERANCES :+/-0.05)



PART NUMBER	POS. (N)	DIM. D	DIM. E	DIM. F	DIM. G
G42VX1XXXXHR	38	10.80	13.50	14.55	13.55
G42VX5XXXXHR	50	14.40	17.10	18.15	17.15
G42VX2XXXXHR	74	21.60	24.30	25.35	24.35

PART NUMBER (APPLY TO 38P/74P/50P)	DIM. U
G42VXXXX1XHR	0.8
G42VXXXX2XHR	
G42VXXXX3XHR	
G42VXXXX4XHR	



PART NUMBER	POS. (N)	DIM. D1	DIM. D2	DIM. E	DIM. F	DIM. G	DIM. H1	DIM. H2
G42VX4XXXXHR	124	21.60	14.40	40.50	42.15	41.15	18.90	4.50
G42VX6XXXXHR	148	21.60	21.60	47.70	49.35	48.35	22.50	0.90

PART NUMBER	POS. (N)	DIM. S	DIM. T
G42VX4XX1XHR	124	0.5	1.1
G42VX4XX2XHR			
G42VX4XX3XHR			
G42VX4XX4XHR	148	0.65	1.3
G42VX6XXXXHR			

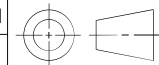


TOLERANCE	APPROVALS	DATE
X. ±0.30	DESIGNED Joan Lu	03/02/2021
X.X ±0.20	CHECKED Sondra Sang	03/02/2021
X.XX ±0.10	APPROVED Hank Hsu	03/02/2021
ANGULAR ±2°	DWG TYPE CUST DWG	PROJECT CODE T631

TITLE		UNIT	SIZE	PART No.
MINI COOL EDGE 10 INTEGRATED CONNECTOR 0.6 PITCH, VERTICAL STANDARD. SMT TYPE		MM	A3	G42VXXXXXHR
UNLESS OTHERWISE SPECIFIED		SCALE	SHEET	DWG No.
		NA	4 OF 8	G42VXXXXXHR

Amphenol®
Amphenol Corporation
Amphenol Taiwan Corporation

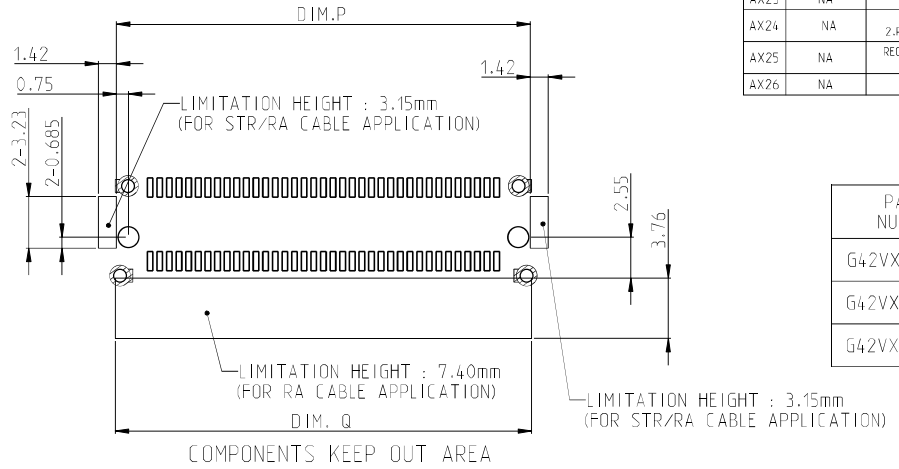
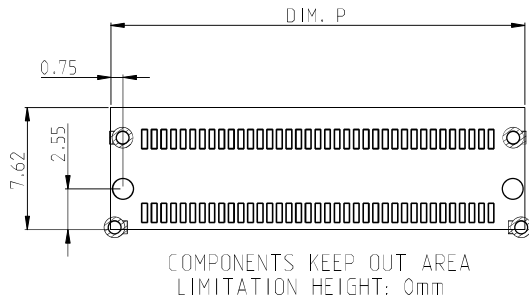
REV. AX26



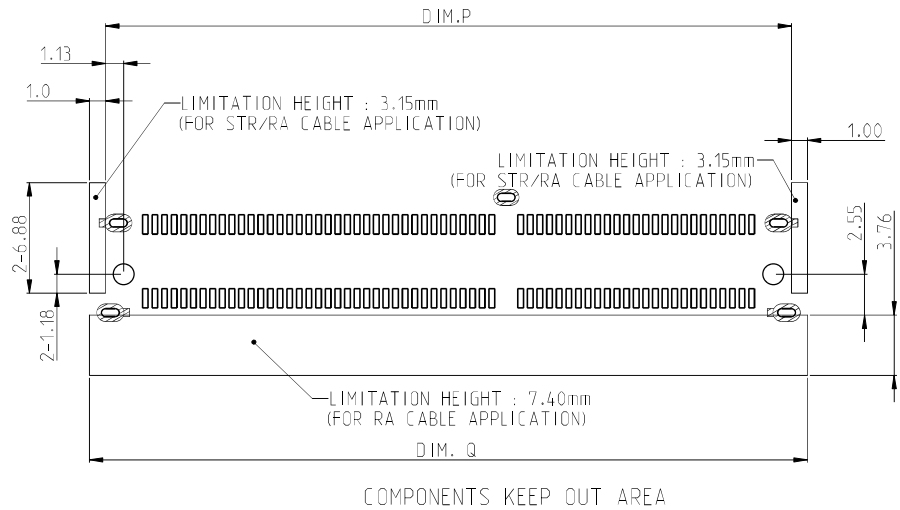
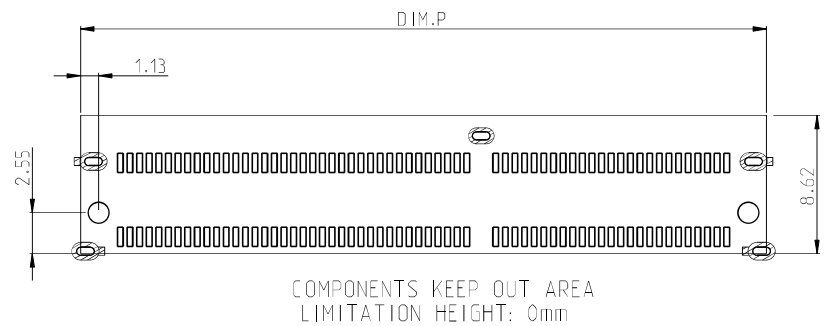
This document is the property of Amphenol Corporation and is delivered on the express condition that is not to be disclosed, reproduced or used, in whole or in part, for manufacture or sale by anyone other than Amphenol Corporation without its prior consent, and that no right is granted to disclose or to use any information in this document.

The marking on this product doesn't contain environmental hazardous materials per directive 2011/65/EU & 2015/863/EU for RoHS compliant & per IEC 61249-2-21 for Halogen-Free compliant.

REVISIONS				
SYM	ECN No.	DESCRIPTION	DATE	BY
AX22	NA	ADDED COMPONENT KEEP OUT AREA LIMIT HEIGHT	10/31/2019	JOAN LU
AX23	NA	UPDATED QTY OF PACKAGE	12/17/2019	JOAN LU
AX24	NA	1.CORRECT DIM J IN TABLE FOR G42VX0XXXHR 2.REVISED LATCH HOLE DIMENSION FROM 1.10 TO 1.15MM	09/02/2020	JOAN LU
AX25	NA	RECOMMENDED AIC MATING CARD CHAMFER CHANGE FROM 0.75 TO 0.3	02/02/2021	JOAN LU
AX26	NA	ADDED NOTE ITEM 5	03/02/2021	JOAN LU



PART NUMBER	POS. (N)	DIM. P	DIM. Q
G42VX1XXXXHR	38	15.00	15.15
G42VX5XXXXHR	50	18.60	18.75
G42VX2XXXXHR	74	25.80	25.95

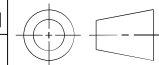


PART NUMBER	POS. (N)	DIM. P	DIM. Q
G42VX4XXXXHR	124	42.75	44.75
G42VX6XXXXHR	148	49.95	51.95



TOLERANCE	DRAWN APPROVALS	DATE	TITLE	UNIT	SIZE	PART No.
X. X.X ±0.30 X.XX ±0.20 X.XXX ±0.10	DESIGNED Joan Lu	03/02/2021	MINI COOL EDGE IO INTEGRATED CONNECTOR 0.6 PITCH, VERTICAL STANDARD. SMT TYPE	mm	A3	G42VXXXXXHR
	CHECKED Sondra Sang	03/02/2021				
ANGULAR ±2°	APPROVED Hank Hsu	03/02/2021				
UNLESS OTHERWISE SPECIFIED	DWG TYPE CUST DWG	PROJECT CODE T631		SCALE NA	SHEET 5 OF 8	DWG No. G42VXXXXXHR

Amphenol®
Amphenol Corporation
Amphenol Taiwan Corporation



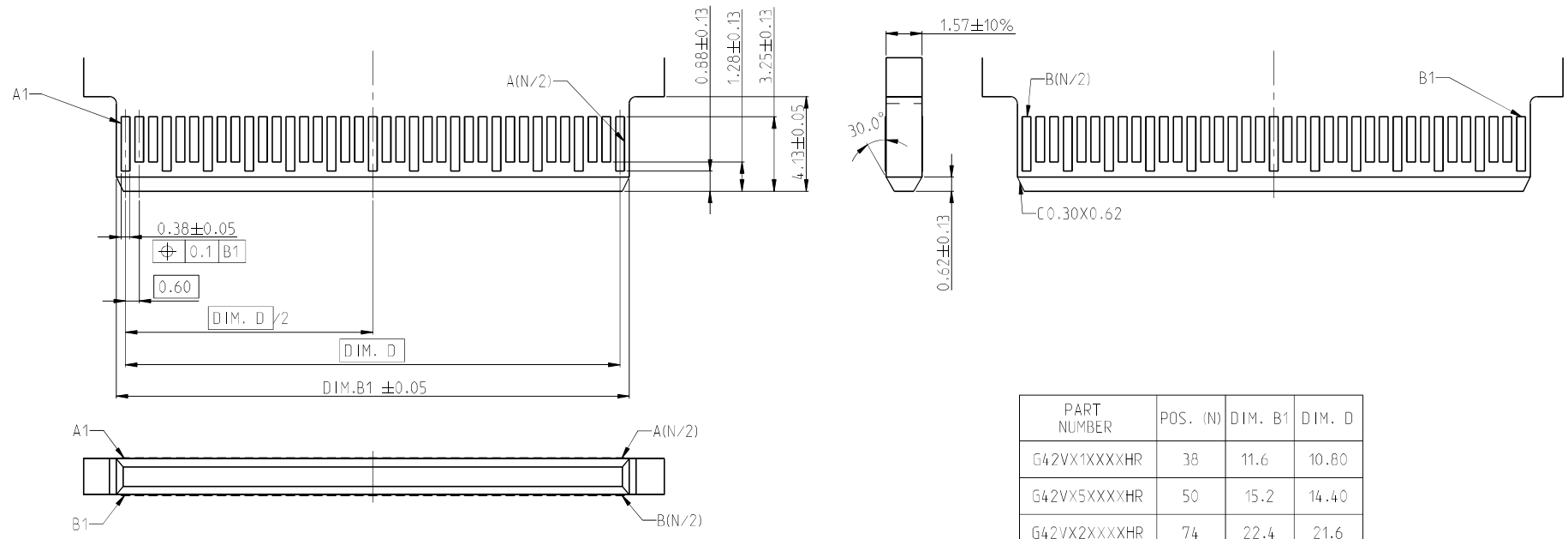
REV. AX26

This document is the property of Amphenol Corporation and is delivered on the express condition that it is not to be disclosed, reproduced or used, in whole or in part, for manufacture or sale by anyone other than Amphenol Corporation without its prior consent, and that no right is granted to disclose or to use any information in this document.

The marking on this product doesn't contain environmental hazardous materials per directive 2011/65/EU & 2015/863/EU for RoHS compliant & per IEC 61249-2-21 for Halogen-Free compliant.

REVISIONS				
SYM	ECN No.	DESCRIPTION	DATE	BY
AX22	NA	ADDED COMPONENT KEEP OUT AREA LIMIT HEIGHT	10/31/2019	JOAN LU
AX23	NA	UPDATED QTY OF PACKAGE	12/17/2019	JOAN LU
AX24	NA	1.CORRECT DIM J IN TABLE FOR G42VXXXXHR 2.REVISED LATCH HOLE DIMENSION FROM 1.10 TO 1.15MM	09/02/2020	JOAN LU
AX25	NA	RECOMMENDED AIC MATING CARD CHAMFER CHANGE FROM C0.75 TO C0.3	02/02/2021	JOAN LU
AX26	NA	ADDED NOTE ITEM 5	03/02/2021	JOAN LU

RECOMMENDED AIC MATING CARD DIMENSIONS



PART NUMBER	POS. (N)	DIM. B1	DIM. D
G42VX1XXXXHR	38	11.6	10.80
G42VX5XXXXHR	50	15.2	14.40
G42VX2XXXXHR	74	22.4	21.6



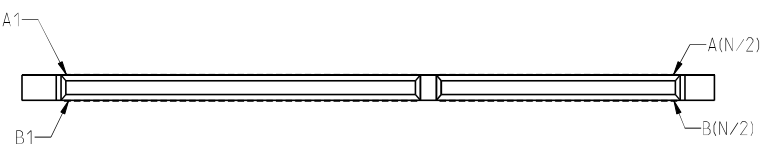
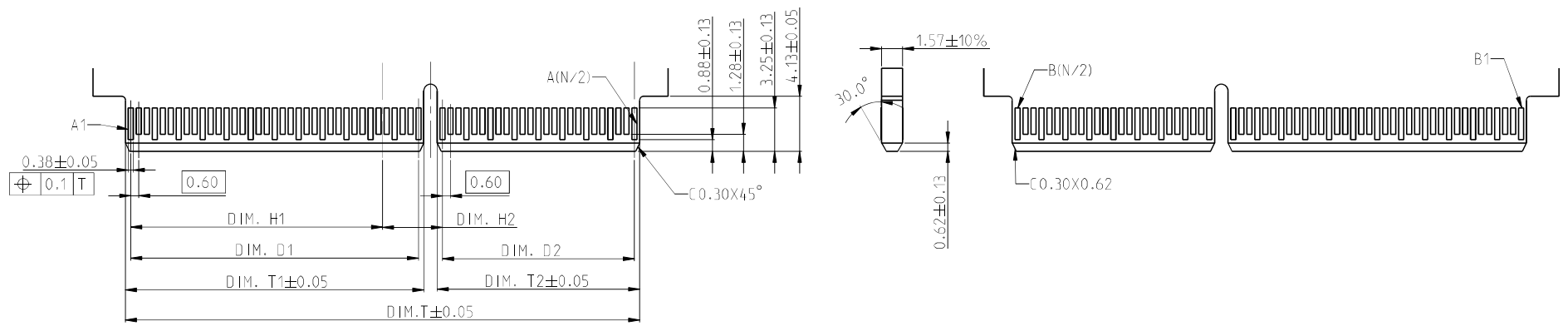
<p>TOLERANCE</p> <p>X. ±0.30</p> <p>X.X ±0.20</p> <p>X.XX ±0.10</p> <p>ANGULAR ±2°</p> <p>UNLESS OTHERWISE SPECIFIED</p>	<p>DRAWN APPROVALS</p> <p>DESIGNED Joan Lu</p> <p>CHECKED Sondra Sang</p> <p>APPROVED Hank Hsu</p> <p>DWG TYPE CUST DWG</p>	<p>DATE</p> <p>03/02/2021</p> <p>03/02/2021</p> <p>03/02/2021</p> <p>PROJECT CODE T631</p>	<p>TITLE</p> <p>MINI COOL EDGE 10 INTEGRATED CONNECTOR 0.6 PITCH, VERTICAL STANDARD. SMT TYPE</p>	<p>UNIT MM</p> <p>SCALE NA</p>	<p>SIZE A3</p> <p>SHEET 6 OF 8</p>	<p>PART No. G42VXXXXHR</p> <p>DWG No. G42VXXXXHR</p> <p>REV. AX26</p>
	<p>Amphenol Corporation</p> <p>Amphenol Taiwan Corporation</p>					

This document is the property of Amphenol Corporation and is delivered on the express condition that it is not to be disclosed, reproduced or used, in whole or in part, for manufacture or sale by anyone other than Amphenol Corporation without its prior consent, and that no right is granted to disclose or to use any information in this document.

The marking on this product doesn't contain environmental hazardous materials per directive 2011/65/EU & 2015/863/EU for RoHS compliant & per IEC 61249-2-21 for Halogen-Free compliant.

REVISIONS				
SYM	ECN No.	DESCRIPTION	DATE	BY
AX22	NA	ADDED COMPONENT KEEP OUT AREA LIMIT HEIGHT	10/31/2019	JOAN LU
AX23	NA	UPDATED QTY OF PACKAGE	12/17/2019	JOAN LU
AX24	NA	1.CORRECT DIM J IN TABLE FOR G42VX6XXXXHR 2.REVISED LATCH HOLE DIMENSION FROM 1.10 TO 1.15MM	09/02/2020	JOAN LU
AX25	NA	RECOMMENDED AIC MATING CARD CHAMFER CHANGE FROM C0.75 TO C0.3	02/02/2021	JOAN LU
AX26	NA	ADDED NOTE ITEM 5	03/02/2021	JOAN LU

RECOMMENDED AIC MATING CARD DIMENSIONS



PART NUMBER	POS. (N)	DIM. D1	DIM. D2	DIM. H1	DIM. H2	DIM. T	DIM. T1	DIM. T2
G42VX4XXXXHR	124	21.60	14.40	18.90	4.50	38.6	22.4	15.2
G42VX6XXXXHR	148	21.60	21.60	22.50	0.90	45.8	22.4	22.4

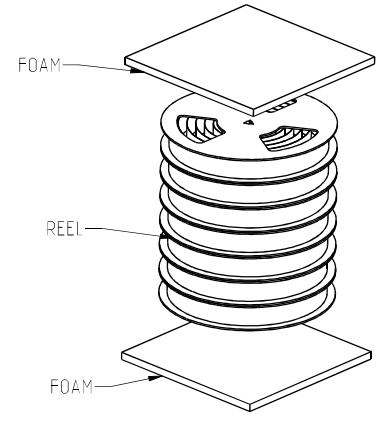
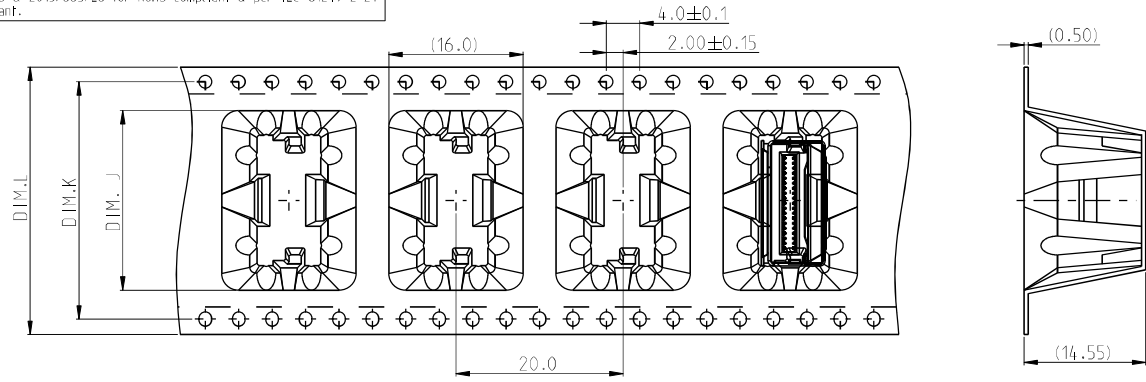


TOLERANCE X. ±0.30 X.X ±0.20 X.XX ±0.10 X.XXX ±0.10 ANGULAR ±2° UNLESS OTHERWISE SPECIFIED	DRAWN APPROVALS DESIGNED Joan Lu CHECKED Sondra Sang APPROVED Hank Hsu DWG TYPE CUST DWG	DATE 03/02/2021 03/02/2021 03/02/2021 PROJECT CODE T631	TITLE MINI COOL EDGE 10 INTEGRATED CONNECTOR 0.6 PITCH, VERTICAL STANDARD. SMT TYPE	UNIT mm SCALE NA SIZE A3 SHEET 7 OF 8	Amphenol® Amphenol Corporation Amphenol Taiwan Corporation PART No. G42VXXXXHR DWG No. G42VXXXXHR REV. AX26
---	--	---	--	--	--

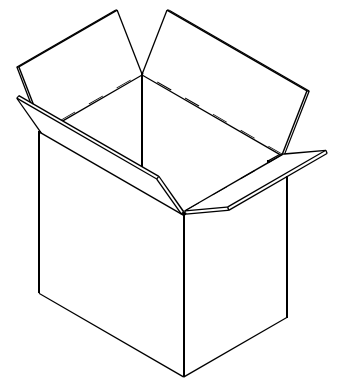
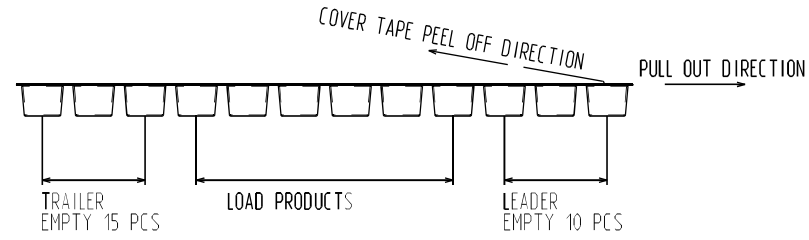
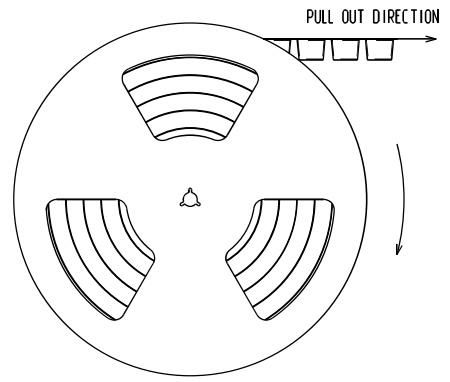
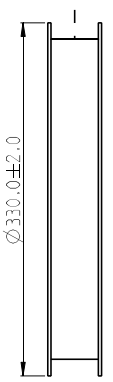
This document is the property of Amphenol Corporation and is delivered on the express condition that it is not to be disclosed, reproduced or used, in whole or in part, for manufacture or sale by anyone other than Amphenol Corporation without its prior consent, and that no right is granted to disclose or to use any information in this document.

The marking on this product doesn't contain environmental hazardous materials per directive 2011/65/EU & 2015/863/EU for RoHS compliant & per IEC 61249-2-21 for Halogen-Free compliant.

REVISIONS				
SYM	ECN No.	DESCRIPTION	DATE	BY
AX22	NA	ADDED COMPONENT KEEP OUT AREA LIMIT HEIGHT	10/31/2019	JOAN LU
AX23	NA	UPDATED QTY OF PACKAGE	12/17/2019	JOAN LU
AX24	NA	1.CORRECT DIM J IN TABLE FOR G42VX6XXXXHR 2.REVISED LATCH HOLE DIMENSION FROM 1.10 TO 1.15MM	09/02/2020	JOAN LU
AX25	NA	RECOMMENDED AIC MATING CARD CHAMFER CHANGE FROM 0.75 TO 0.3	02/02/2021	JOAN LU
AX26	NA	ADDED NOTE ITEM 5	03/02/2021	JOAN LU



PART NUMBER	POS. (N)	DIM. J	DIM. K	DIM. L	REEL (QTY)	CARTON (PCS)
G42VX1XXXXHR	38	(21.5)	28.4±0.1	32.0±0.3	7	1400
G42VX5XXXXHR	50	(27.7)	40.4±0.1	44.0±0.3	5	1000
G42VX2XXXXHR	74	(34.0)	52.4±0.1	56.0±0.3	4	800
G42VX4XXXXHR	124	(39.5)	68.40±0.1	72.0±0.3	3	600
G42VX6XXXXHR	148	(57.9)	68.40±0.1	72.0±0.3	3	600



- NOTE 2:
- CARTON SIZE 340L X 340W X 265H
 - PREFER TO AMTA LABELING STANDARD.
 - CARTON CLOSURES MUST BE SEALED WITH TAPE.



- NOTE 1:
- MATERIAL:
CARRIER TAPE: POLYSTYRENE, BLACK
COVER TAPE: TRANSPARENT POLYSTYRENE
REEL: POLYSTYRENE, BLACK
 - ALL TAPE AND REEL SPECIFICATION FOLLOW EIA-481 STANDARD.
 - THIS PRODUCT DOESN'T CONTAIN ENVIRONMENTAL HAZARDOUS MATERIALS PER DIRECTIVE 2011/65/EU & 2015/863/EU FOR RoHS AND PER IEC 61249-2-21 FOR HALOGEN FREE.

TOLERANCE	DRAWN APPROVALS	DATE
X. X.X ±0.30 X.XX ±0.20 X.XXX ±0.10	DESIGNED Joan Lu	03/02/2021
	CHECKED Sondra Sang	03/02/2021
ANGULAR ±2°	APPROVED Hank Hsu	03/02/2021
UNLESS OTHERWISE SPECIFIED	DWG TYPE CUST DWG	PROJECT CODE T631

TITLE	UNIT	SIZE	PART No.
MINI COOL EDGE 10 INTEGRATED CONNECTOR 0.6 PITCH, VERTICAL STANDARD. SMT TYPE	MM	A3	G42VXXXXXHR
	SCALE NA	SHEET 8 OF 8	DWG No. G42VXXXXXHR

Amphenol®
Amphenol Corporation
Amphenol Taiwan Corporation

REV. AX26