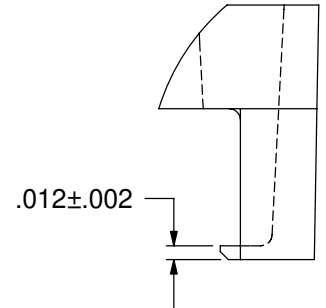
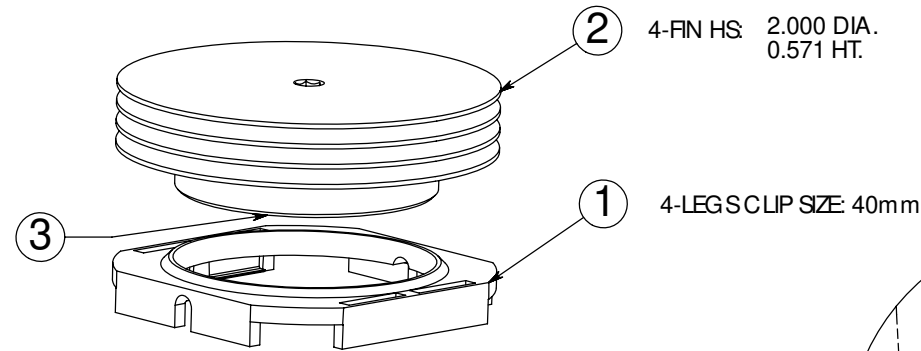
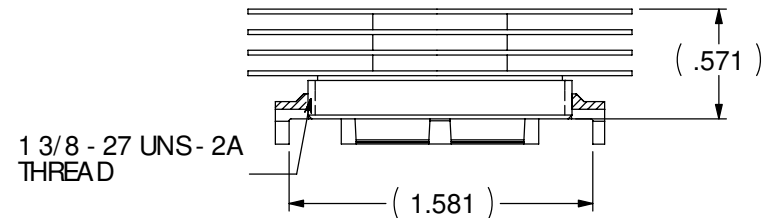
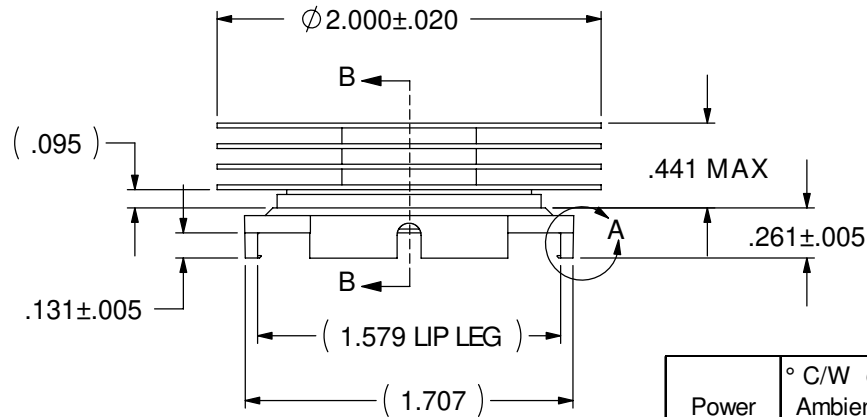


REVISION(S)			
LTR	DESCRIPTION	INIT	APP'D
O	ECN: 0S60-0171-04	E.T 6/17/04	J.Y 6/29/04
A	ECN: 0S60-0060-05	E.T 3/10/05	B.P 6/15/05
B	ECR-06-025921	E.T 11/6/06	V.K 11/8/06



DETAIL A  
SCALE = 6X



SECTION B-B

Power	° C/W @ Ambient	° C/W @ 200 LFM	° C/W @ 400 LFM	° C/W @ 600 LFM
5 Watts	8.75	3.80	2.30	2.13
10 Watts	7.87	3.79	2.20	1.89
15 Watts	7.37	3.69	2.19	1.88

**CUSTOMER DRAWING**

SPECIFICATIONS ARE SUBJECT TO CHANGE WITHOUT NOTICE

ITEM	DESCRIPTION	QTY
1	MOUNTING CLIP	1
2	HEAT SINK	1
3	INTERFACE	1

**tyco** / Electronics    Attleboro Falls Massachusetts 02763

UNLESS OTHERWISE SPECIFIED TO LEFANS ARE:    DRAWN BY: E.TAO    DATE: 6/22/04    MATERIAL: SEE NOTE

.XX ± .    ENGINEER: J.YUE    DATE: 6/29/04    FINISH: SEE NOTE

.XXX ± .    FILENAME:    PROJECT:    SYSTEM:    DIMENSIONS ARE IN: INCHES    SCALE: 1:1    PART NO.: 9-1542003-5    SHEET: 1 OF 1

.XXXX ± .    ANGLES ± \*    TYPED ANGLE PROJECTION    SIZE: A    DWG. NO. C-9-1542003-5    REV: B

CONFIDENTIAL PROPERTY OF TYCO ELECTRONICS NOT TO BE DISCLOSED TO OTHERS REPRODUCED OR USED FOR ANY PURPOSES EXCEPT AS AUTHORIZED IN WRITING BY AN AUTHORIZED OFFICIAL OF TYCO. MUST BE RETURNED TO TYCO ON DEMAND, ON COMPLETION OF ORDERS OR OTHER PURPOSES FOR WHICH LENT.

TITLE: 40mm HEATSINK ASSEMBLY (HTS683-U)