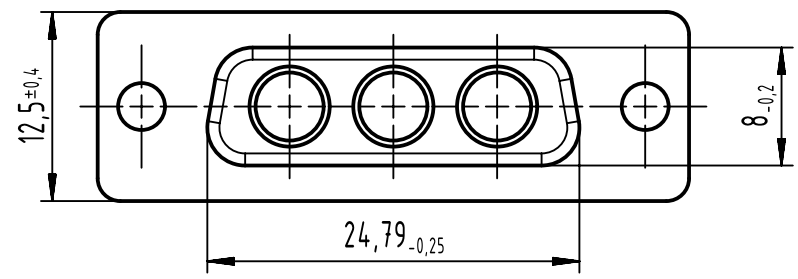
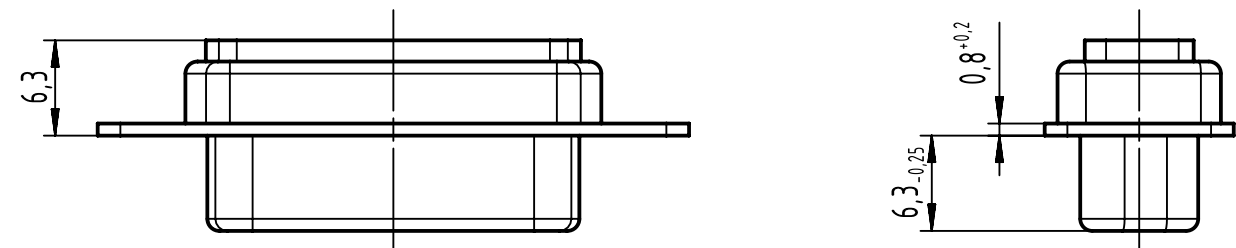


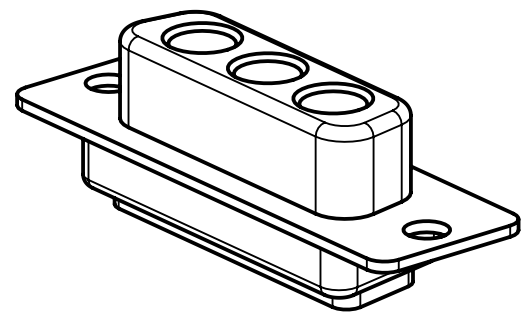
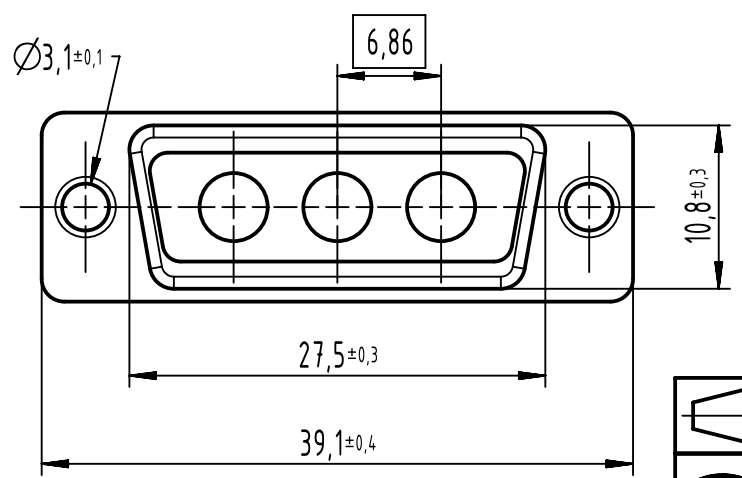
A



B




C



D

0969 200 0033.500	Non magnetic
0969 200 0033	
Part number	

	All rights reserved Department EL PD	All Dimensions in mm Original Size DIN A4		Scale 2:1	Free size tol.	Ref. Sub.	
		Created by ZHUANGJ	Inspected by LUOK	Standardisation RUETERA	Date 2020-12-22	State Final Release	
HARTING D-32339 Espelkamp		Title DSUB FE 3W3 SHELL W/O CONTACTS				Doc-Key / ECM-Nr. 100223096/UGD/002/A 500000186604	
		Type TB	Number 09692000033			Rev. A	Page 1/1