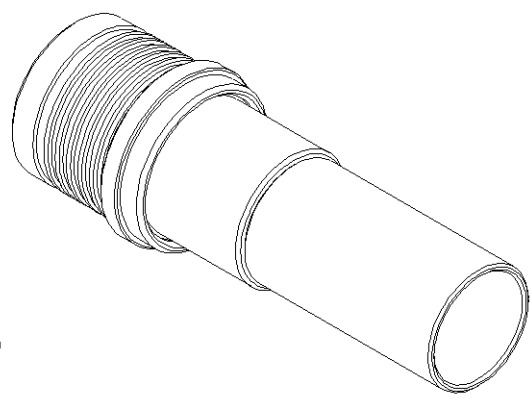
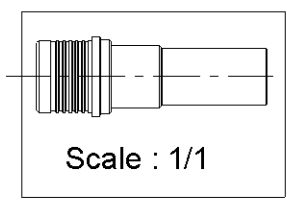
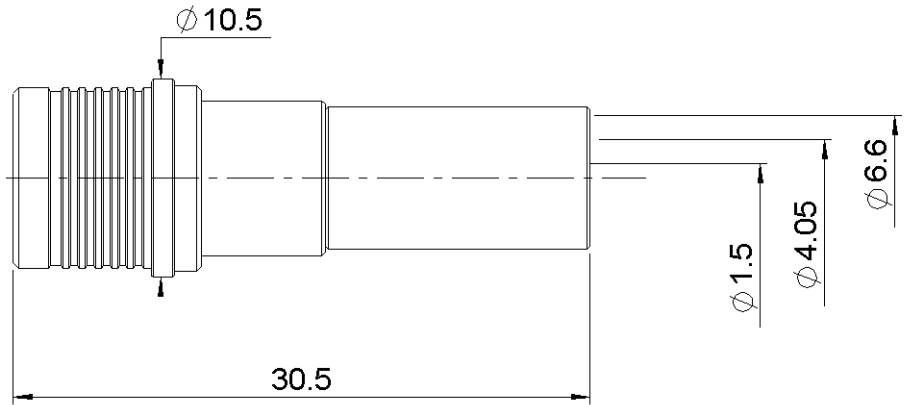
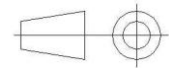


PAGE 1/3	ISSUE 15-05-15B	SERIES QMA	PART NUMBER R123076310
----------	-----------------	-------------------	-------------------------------



All dimensions are in mm.



COMPONENTS	MATERIALS	PLATING (µm)
Body	BRASS	BBR
Center contact	BRASS	NPGR
Outer contact	BRONZE	BBR
Insulator	PTFE	
Gasket	-	
Others parts	BRASS	BBR
-	-	-
-	-	-

PAGE 2/3	ISSUE 15-05-15B	SERIES QMA	PART NUMBER R123076310
----------	-----------------	------------	------------------------

PACKAGING

Standard	Unit	Other
100	Contact us	Contact us

ELECTRICAL CHARACTERISTICS

Impedance	50	Ω
Frequency	0-6	GHz
VSWR	1.12* + 0.0000	x F(GHz) Maxi
Insertion loss	0.05	√F(GHz) dB Maxi
RF leakage	**80	- F(GHz)) dB Maxi
Voltage rating	335	Veff Maxi
Dielectric withstanding voltage	1000	Veff mini
Insulation resistance	5000	MΩ mini

MECHANICAL CHARACTERISTICS

Center contact retention		
Axial force – Mating End	18	N mini
Axial force – Opposite end	18	N mini
Torque	NA	N.cm mini
Recommended torque		
Mating	NA	N.cm
Panel nut	NA	N.cm
Clamp nut	NA	N.cm
A/F clamp nut	0.0000	mm
Mating life	100	Cycles mini
Weight	7.3700	g

ENVIRONMENTAL

Operating temperature	-40/+105	°C
Hermetic seal	NA	Atm.cm3/s
Panel leakage	NA	

SPECIFICATION

CABLE ASSEMBLY

Stripping	a	b	c	d	e	f
mm	4.2	10	15	0	10.8	0

Assembly instruction: **SEE PAGE 3**

Recommended cable(s)
KSR240
LMR 240

Characteristics indicated on this data sheet are those that can be achieved with the highest performance cable. Intrinsic limitations of the cable may diminish the performance of the assembly

Cable retention

- pull off	220	N mini
- torque	NA	N.cm

TOOLING

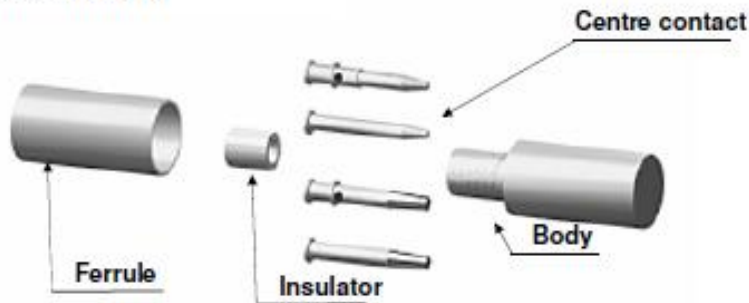
Part Number	Description	Hexagon
R282223000	CRIMPING TOOL	
R282235013	CRIMPING DIES	
R282293000	CRIMPING TOOL M22520/5-01	

OTHER CHARACTERISTICS

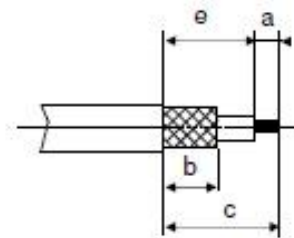
***VSWR: 1.12 max@0-3GHz, 1.2 max@3-6GHz**
****RF: leakage(interf.): 3<F<6GHz: <-70dB**

PAGE 3/3	ISSUE 15-05-15B	SERIES QMA	PART NUMBER R123076310
----------	-----------------	------------	------------------------

COMPONENTS



STRIPPING DIMENSIONS



- 1**

Slide the ferrule onto the cable.
Strip the cable.
- 2**

Fan the braid.
Slide the insulator on the cable centre contact until it bottoms against the cable dielectric.
- 3**

Slide on the centre contact until it bottoms against the additional insulator.
Solder the centre contact with crimping tool.
Clean solder area if necessary.
- 4**

Slide cable into body until it bottoms against insulator.
- 5**

Slide the ferrule over the braid.
- 6**

Crimp the ferrule with crimping tool (see connector TDS).
Cut the excess of braid if necessary.