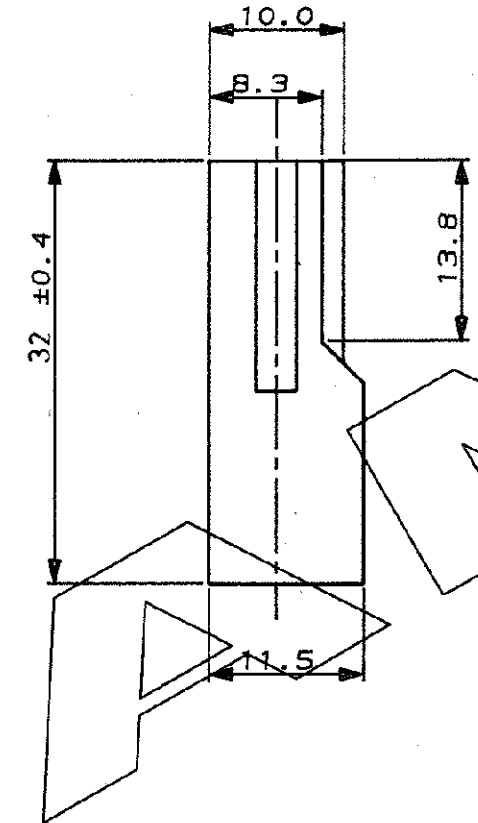
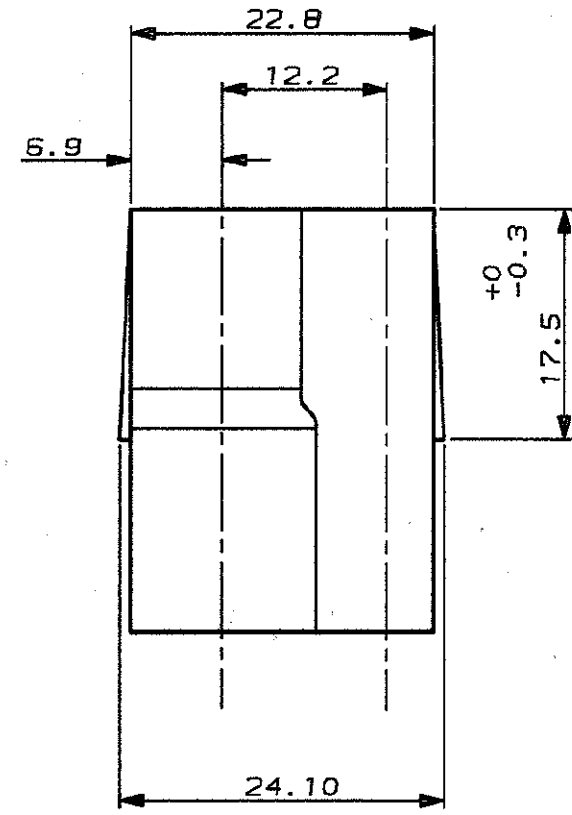


SCALA NON IMPEGNATIVA
(DO NOT SCALE)
DIMENSIONI IN mm
(DIMENSIONS IN mm)

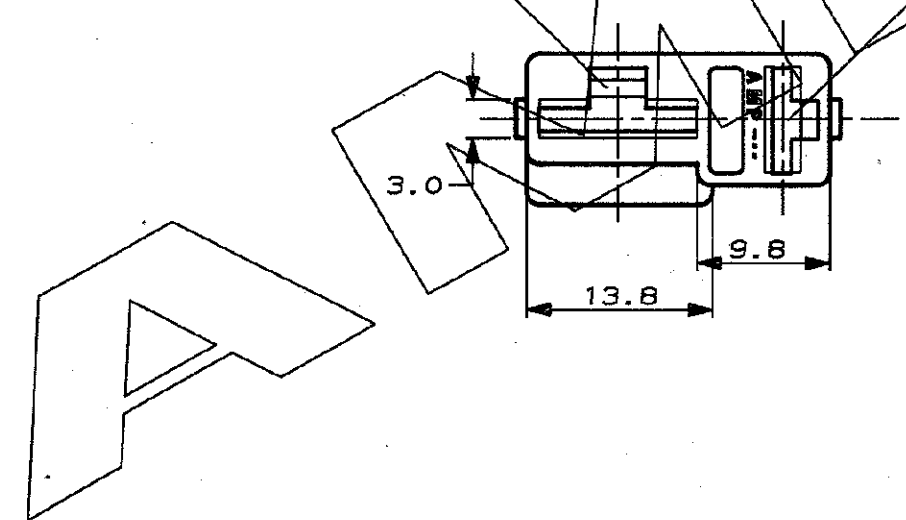
METRIC

PROIEZIONE EUROPEA
(EUROPEAN PROJECTION)



CAVITY SUITABLE FOR
.375 SRS.FASTIN-ON

CAVITY SUITABLE FOR
.250 SRS.FASTIN-ON



1 OBSOLETE PARTS: OBSOLETE CIS STREAMLINING PER D.RENAUD/D.SINISI

OBSOLETE	BLACK	281993-3
	RED	281993-2
	CLEAR	281993-1
FINITURA / COLORE (FINISH / COLOUR)		NUMERO (PART NUMBER)
MATERIALE (MATERIAL)		

CUSTOMER DWG. FOR REFERENCE ONLY
DISEGNO PER CLIENTE SOLO PER RIFERIMENTO

THIS DRAWING IS UNPUBLISHED
RELEASE FOR PUBLICATION 19

© COPYRIGHT 19 BY AMP INCORPORATED, HARRISBURG, PA. ALL INTERNATIONAL RIGHTS RESERVED. AMP PRODUCTS MAY BE COVERED BY U.S. AND FOREIGN PATENT AND/OR PATENT PENDING

TOLLERANZE, SE NON DIVERSAMENTE SPECIFICATO
(TOLERANCES, UNLESS OTHERWISE SPECIFIED)

± 0.3

ANGOLI (ANGLES) ± 2°

DIAM. ISOLANTE (INS. DIA. RANGE)

RANGO FILI (WIRE RANGE)

SCALA (SCALE) 2:1

AMP AMP ITALIA S.p.A.
Corso P.lli Cerri, 15
COLLENO (TORINO)

DIS. 15 JUNE 89 (COR.) VERGANO P.

DESCRIZIONE (DESCRIPTION) 2 WAY FASTIN-ON REC.HOUSING (.250-.375 SRS.)

A1	REVISED PER ECO-09-026346	AEG	26 NOV 89	CONT. -
A	IN PRODUCTION			

LOC. SIZE NUMERO (DWG NO)	REV. (REV.)	FOLIO (SHEET)
I A3 C-281993	A1	1 DI 1

DISTRIBUZIONE (PRINT-DIST.)