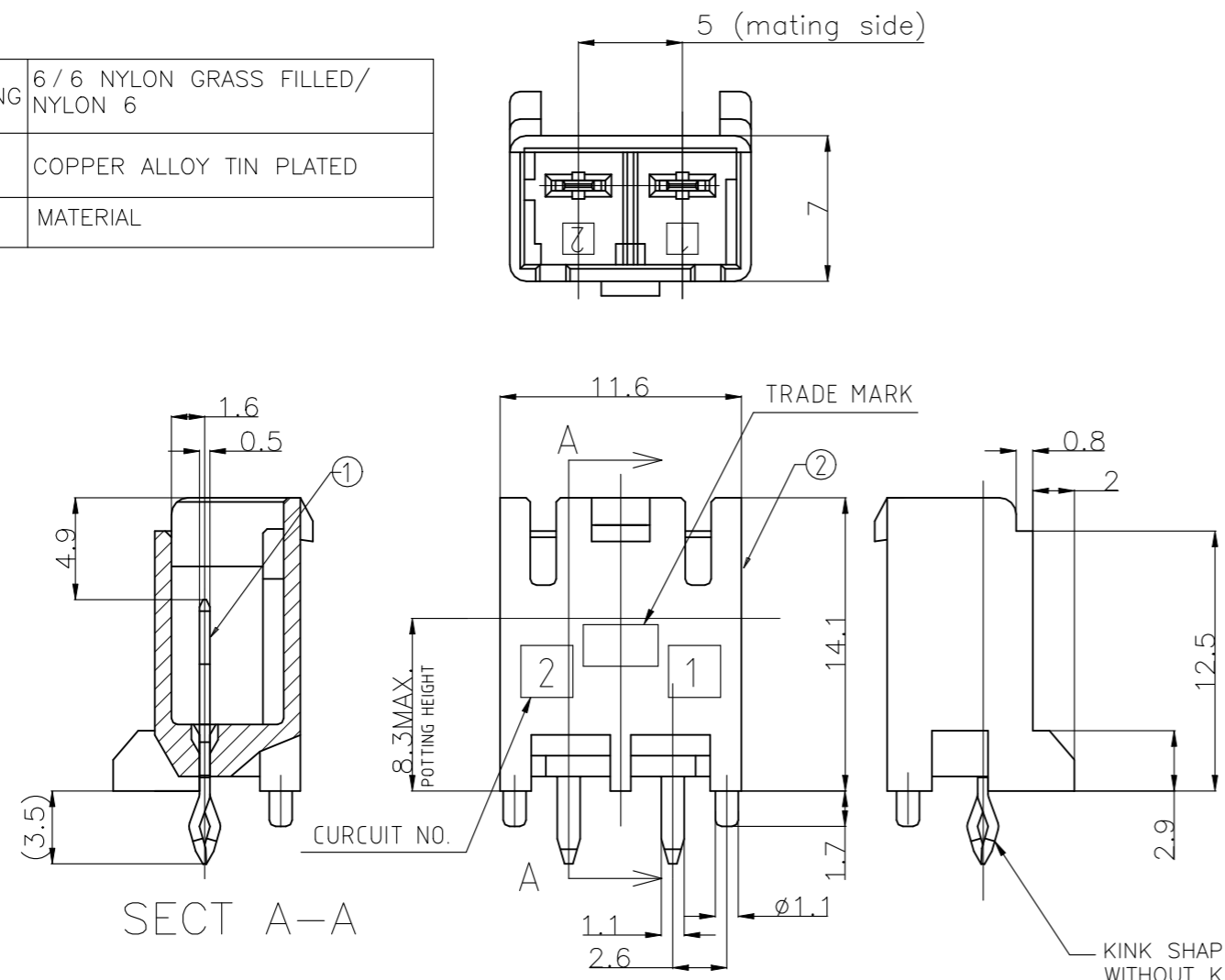


THIS DRAWING IS UNPUBLISHED. RELEASED FOR PUBLICATION  
 © COPYRIGHT - By - ALL RIGHTS RESERVED.

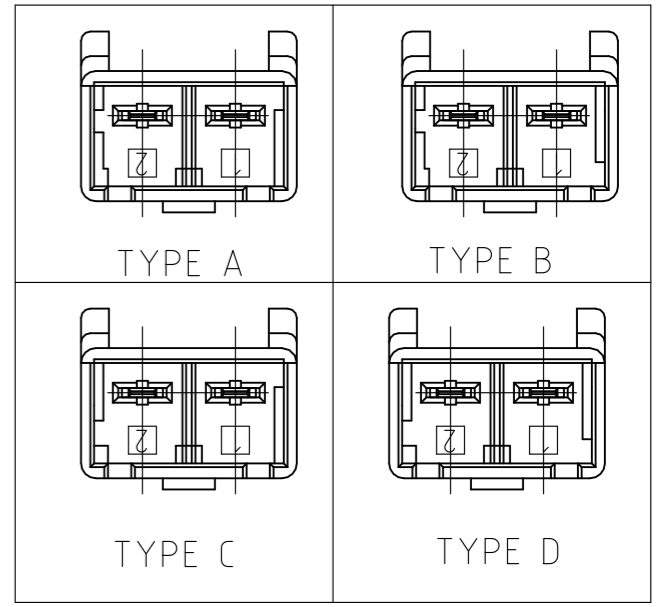
REVISIONS				
P	LTR	DESCRIPTION	DATE	APVD
	C4	REVISED PER ECR-22-126744	20JAN2022	KS DZ

NO.	NAME	MATERIAL
②	HEADER HOUSING	6/6 NYLON GRASS FILLED/ NYLON 6
①	TAB	COPPER ALLOY TIN PLATED

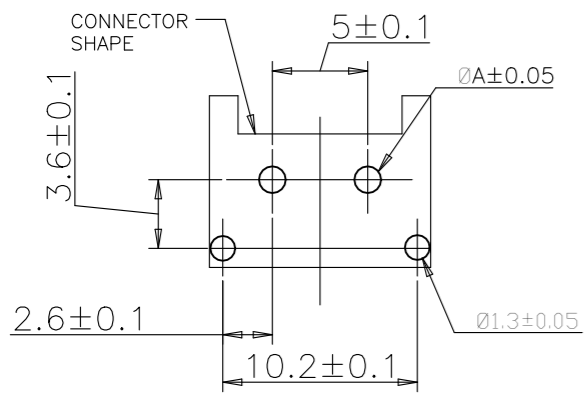


SECT A-A

THE TYPE OF KEYING



MATING CONN. P/N	KINK EXISTENCE WITH/WITHOUT KINK	TYPE OF KEYING	COLOR	POS	PART NO.
2-1376388-3	WITH KINK	TYPE C	BLUE	2POS	2-1376382-6
1376388-1	WITH KINK	TYPE A	NATURAL	2POS	1376382-6
1376388-5	WITH KINK	TYPE A	NATURAL	2POS	1376382-5
3-1376388-4	WITHOUT KINK	TYPE D	YELLOW	2POS	8-1376382-4
2-1376388-3	WITHOUT KINK	TYPE C	BLUE	2POS	7-1376382-3
1-1376388-2	WITHOUT KINK	TYPE B	RED	2POS	6-1376382-2
1376388-1	WITHOUT KINK	TYPE A	NATURAL	2POS	5-1376382-1
3-1376388-4	WITH KINK	TYPE D	YELLOW	2POS	3-1376382-4
2-1376388-3	WITH KINK	TYPE C	BLUE	2POS	2-1376382-3
1-1376388-2	WITH KINK	TYPE B	RED	2POS	1-1376382-2
1376388-1	WITH KINK	TYPE A	NATURAL	2POS	1376382-1



	DIM A
PUNCHING	1.25
DRILLING	1.4

PRINTED CIRCUIT BOARD  
RECOMMENDED HOLES

- ① RECOMMENDED P.C.B LAY OUT.
- ② APPLICABLE P.C.B. THICKNESS:1.6.
- ③ MATING CONN. P/N PLUG HOUSING :SEE TABLE.
- ④ PARTS COMPLY WITH GLOW WIRE REQUIREMENT FOR PARTS OF NON-METALLIC MATERIAL SUPPORTING A CURRENT-CARRYING CONNECTION DETAILED IN IEC 60335-1, SECTION 30(GWT).
- ⑤ NYLON 6, GWT, V-2.
- ⑥ NYLON 66, GWT, V-0.
- ⑦ HIGH CURRENT RATING VERSION.

THIS DRAWING IS A CONTROLLED DOCUMENT.

DIMENSIONS:	TOLERANCES UNLESS OTHERWISE SPECIFIED:
MM	
Ø PLC	± 0.2
1 PLC	±
2 PLC	±
3 PLC	±
4 PLC	±
PLC ANGLES	± 1°
FINISH	SEE TABLE
MATERIAL	SEE TABLE

DWN	A.OISHI	28AUG'00
CHK	Y.KASHIWA	28AUG'00
APVD	Y.KASHIWA	28AUG'00
PRODUCT SPEC	108-5699	
APPLICATION SPEC	114-5292	
WEIGHT	A3 00779 C-1376382	

WIRE RANGE: - INSULATION DIA: -

**STE** TE Connectivity

5.0 POWER KEY CONNECTOR  
2P HEADER ASSEMBLY

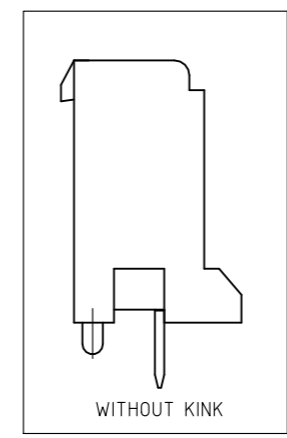
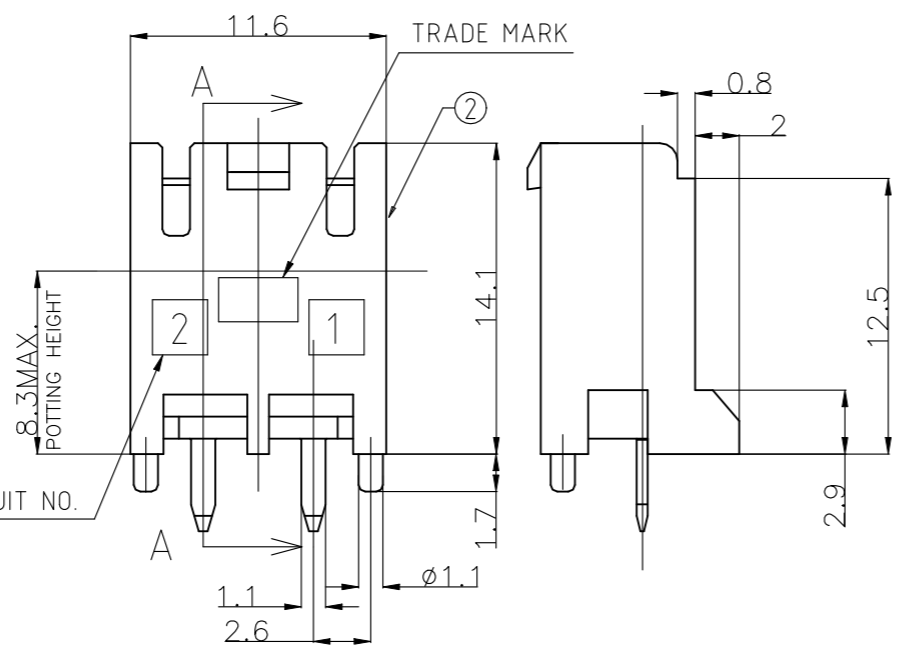
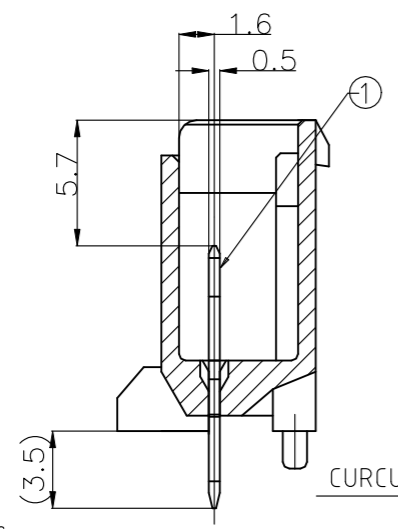
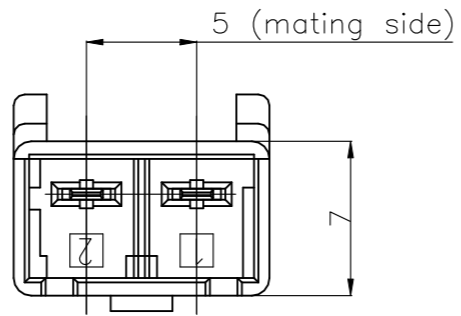
SIZE: A3 CAGE CODE: 00779 DRAWING NO: C-1376382 RESTRICTED TO: -

CUSTOMER DRAWING SCALE: 3:1 SHEET: 1 OF 2 REV: C4

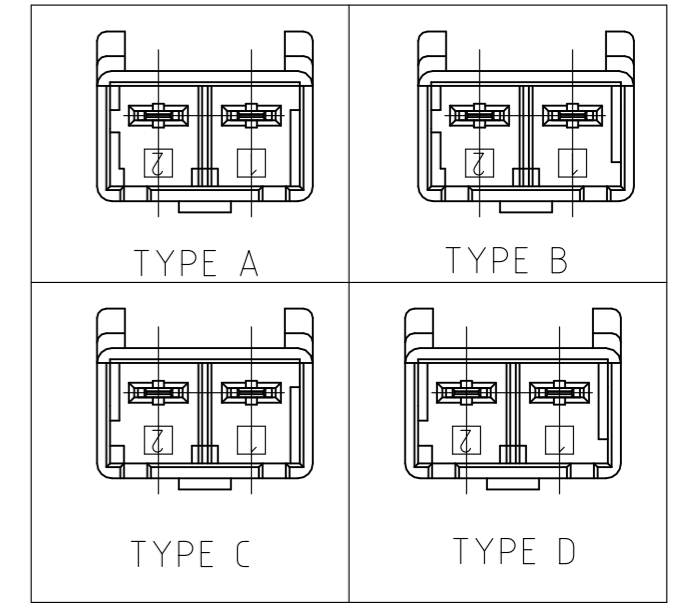
THIS DRAWING IS UNPUBLISHED. RELEASED FOR PUBLICATION  
 © COPYRIGHT - By - ALL RIGHTS RESERVED.

P	LTR	DESCRIPTION	DATE	DWN	APVD
-	-	SEE SHEET 1	-	-	-

NO.	NAME	MATERIAL
②	HEADER HOUSING	6/6 NYLON
①	TAB	COPPER ALLOY TIN PLATED

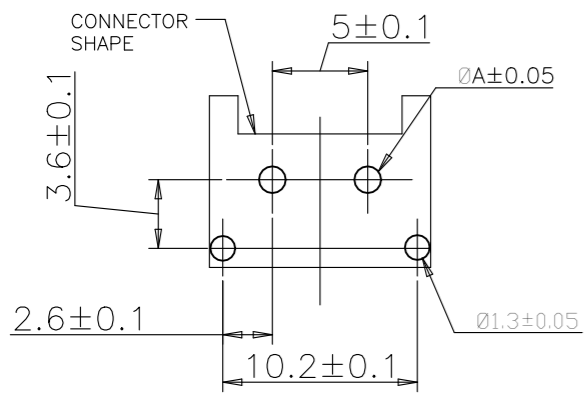
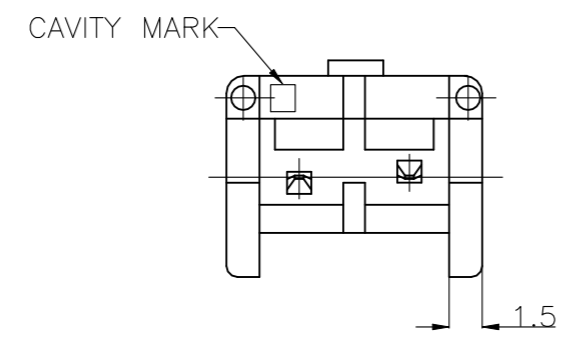


THE TYPE OF KEYING



- ① RECOMMENDED P.C.B LAY OUT
- ② APPLICABLE P.C.B. THICKNESS:1.6
- ③ MATING CONN. P/N PLUG HOUSING :SEE TABLE

SECT A-A



PUNCHING	1.25
DRILLING	1.4
	DIM A

3-1376388-5	WITHOUT KINK	TYPE D	YELLOW	2POS	3-1376382-5
2-1376388-4	WITHOUT KINK	TYPE C	BLUE	2POS	2-1376382-4
1-1376388-3	WITHOUT KINK	TYPE B	RED	2POS	1-1376382-3
1376388-2	WITHOUT KINK	TYPE A	NATURAL	2POS	1376382-2
MATING CONN. P/N	WITH/WITHOUT KINK	TYPE OF KEYING	COLOR	POS	PART NO.

THIS DRAWING IS A CONTROLLED DOCUMENT.		DWN A.OISHI 28AUG'00	TE Connectivity <b>5.0 POWER KEY CONNECTOR          2P HEADER ASSEMBLY</b>				
DIMENSIONS: MM		CHK Y.KASHIWA 28AUG'00				NAME	
TOLERANCES UNLESS OTHERWISE SPECIFIED:		APVD Y.KASHIWA 28AUG'00				PRODUCT SPEC 108-78863	
0 PLC ± 0.2 1 PLC ± 2 PLC ± 3 PLC ± 4 PLC ± ANGLES ± 1°		APPLICATION SPEC 114-5292					
MATERIAL SEE TABLE		WIRE RANGE		INSULATION DIA			
SEE TABLE		WEIGHT -		RESTRICTED TO			
CUSTOMER DRAWING			SIZE A3	CAGE CODE 00779	DRAWING NO C-1376382		
			SCALE 3:1	SHEET 2 OF 2	REV C4		