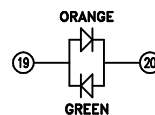
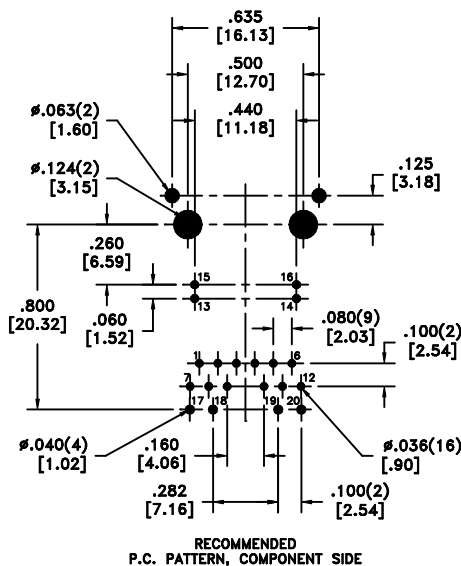
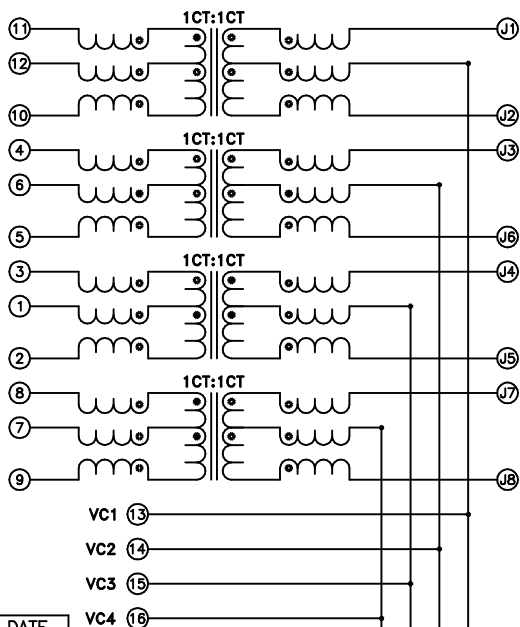
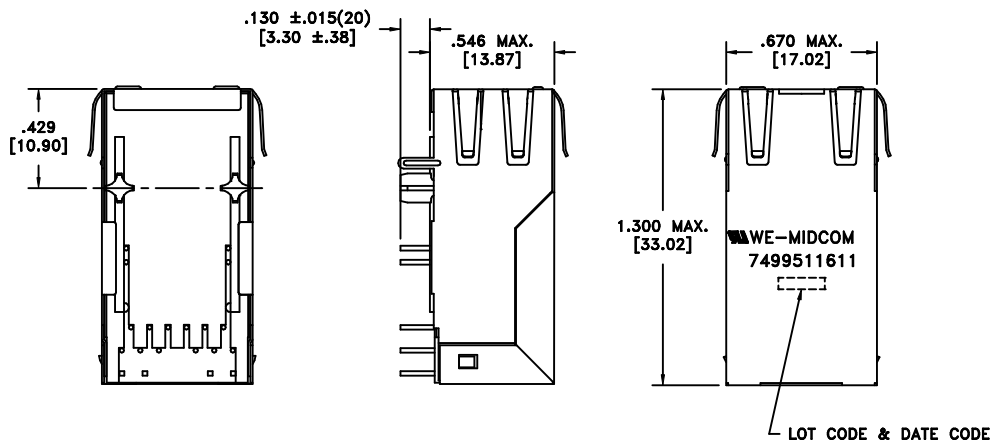
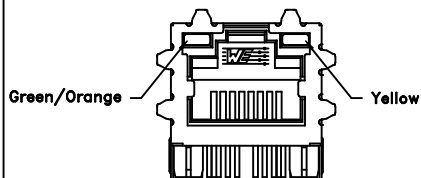


CUSTOMER TERMINAL	RoHS	LEAD(Pb)-FREE
Sn100%	Yes	Yes



ELECTRICAL SPECIFICATIONS @ 25°C unless otherwise noted:

PARAMETER	TEST CONDITIONS	VALUE	
INDUCTANCE	J1-J2	100kHz, 100mVAC, 18mADC, Lp	350uH min.
INDUCTANCE	J3-J6	100kHz, 100mVAC, 18mADC, Lp	350uH min.
INDUCTANCE	J4-J5	100kHz, 100mVAC, 18mADC, Lp	350uH min.
INDUCTANCE	J7-J8	100kHz, 100mVAC, 18mADC, Lp	350uH min.
DIELECTRIC	P1-12 to J1-8	-	1500Vrms/2250VDC, 1 minute
URNS RATIO		Per schematic	-
INSERTION LOSS		1M - 100MHz	-1.0dB max.
RETURN LOSS		1M - 30MHz	-18dB min.
RETURN LOSS		30M - 45MHz	-16dB min.
RETURN LOSS		45M - 60MHz	-14dB min.
RETURN LOSS		60M - 80MHz	-12dB min.
RETURN LOSS		80M - 100MHz	-10dB min.
CROSSTALK		1M - 100MHz	-30dB typ.
COMMON MODE REJECTION		1M - 100MHz	-35dB min.
COMMON MODE REJECTION		100M - 500MHz	-25dB min.

GENERAL SPECIFICATIONS:

OPERATING TEMPERATURE RANGE: 0°C to +70°C.

Designed to handle 600mADC and meet 802.3at.

REV.	DATE
6A	10/08

4x12nF, 100V
4x75 ohms

1000pF, 2kV

Packaging Specifications
Method: Tray
PKG-0573
www.midcom-inc.com

Unless otherwise specified:
Tolerances: Fractions: ±1/64
Angles: ±1° Decimals: ±.005[.127]
This drawing is dual dimensioned. Dimensions in brackets are in millimeters.

DRAWING TITLE
TRANSFORMER
Gigabit & PoE+
eiSos p/n: 7499511611



PART NO.
7499511611

AGENCY NUMBER
UL60950-1 E205930