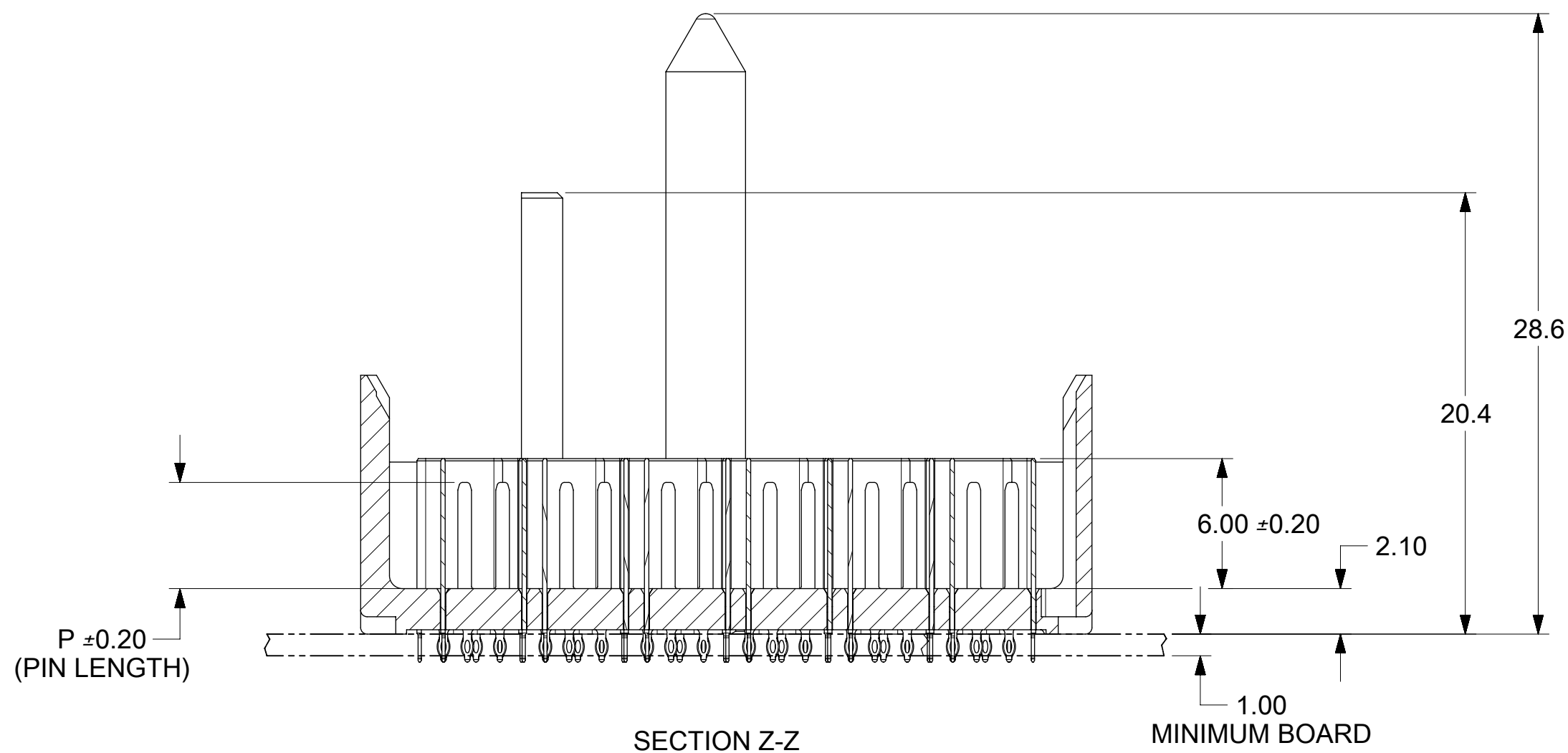
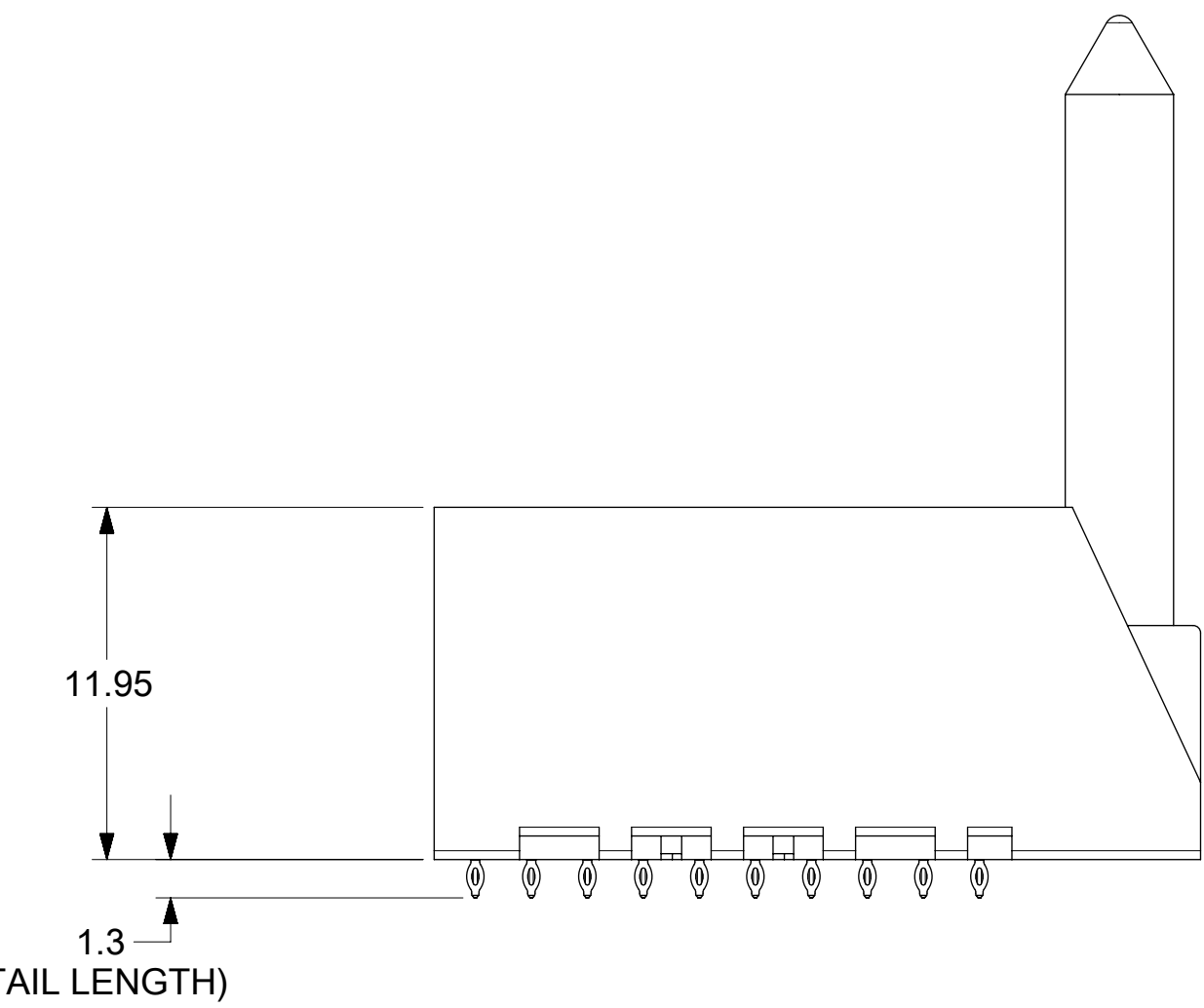


KEY SHOWN  
IN POSITION "A"



NOTES:

1. MATERIALS: HOUSING - LIQUID CRYSTAL POLYMER (LCP)  
GLASS-FILLED, UL94V-0  
TERMINALS - HIGH PERFORMANCE COPPER ALLOY
2. FINISH: 30uIN GOLD IN CONTACT AREA.  
SELECTIVE TIN ON PCB TAILS.  
NICKEL OVERALL.
3. REFER TO MOLEX PRODUCT SPECIFICATION PS-171320-999 FOR PERFORMANCE SPECIFICATIONS.
4. THIS PART CONFORMS TO CLASS B REQUIREMENTS OF MOLEX COSMETIC SPEC PS-45499-002.
5. PRODUCT WILL BE PACKAGED PER PK-78888-087.
6. SEE SHEETS 2, 3, AND 4 FOR HOLE PATTERN AND MATED PART DIMENSIONS.
7. MATES WITH IMPEL DC SERIES NUMBER 171400.
8. REFER TO IMPEL PCB ROUTING GUIDE AS-171320-990 FOR ANTIPAD, ROUTING RECOMMENDATIONS, AND ADDITIONAL PCB INFORMATION.
9. WHEN STACKING MODULES END TO END, THE MINIMUM COLUMN TO COLUMN SPACING IS 2.65mm.
10. THE KEEP-OUT ZONE FOR THE BP HOUSING LENGTH INCLUDES THE NECESSARY SPACE REQUIRED FOR THE MATING DAUGHTERCARD HOUSING.
11. PART IS SUPPLIED WITH ONE 2-56 UNC-2A SCREW (MOLEX P/N 73774-1000).

THIS DRAWING CONTAINS INFORMATION THAT IS PROPRIETARY TO MOLEX ELECTRONIC TECHNOLOGIES, LLC AND SHOULD NOT BE USED WITHOUT WRITTEN PERMISSION

DIMENSION UNITS	SCALE	CURRENT REV DESC: MIGRATED TO NX		<b>molex</b>				
MM	4:1							
GENERAL TOLERANCES (UNLESS SPECIFIED)		EC NO: 602211		IMPEL 6 PAIR BACKPLANE GUIDE RIGHT ASSEMBLY SALES DRAWING				
ANGULAR TOL	± 0.5°	DRWN: JSGOH01	2018/07/27	PRODUCT CUSTOMER DRAWING				
4 PLACES	±	CHK'D: YLLIM	2018/08/01	DOCUMENT NUMBER				
3 PLACES	±	APPR: DWLEE01	2018/08/06	SD-171395-0004		DOC TYPE	DOC PART	REVISION
2 PLACES	± 0.13	INITIAL REVISION:		1 PSD 001 B8				
1 PLACE	± 0.25	DRWN: JLAURX	2012/01/19	MATERIAL NUMBER				
0 PLACES	±	APPR: JLAURX	2012/11/27	SEE CHART		CUSTOMER		SHEET NUMBER
DRAFT WHERE APPLICABLE MUST REMAIN WITHIN DIMENSIONS		THIRD ANGLE PROJECTION	DRAWING	SERIES	GENERAL MARKET		1 OF 5	
			C-SIZE	171395				

DOCUMENT STATUS	P1	RELEASE DATE	2018/08/06	16:48:22
-----------------	----	--------------	------------	----------

MATERIAL NUMBER	NUMBER OF COLUMNS	NUMBER OF DIFF PAIR	DIM "A"	DIM "B"	DIM "C"	DIM "P"	PTH $\phi$
171395-58*4	8	48	22.20	13.30	1.10	4.90	0.46±0.05
171395-58*5	8	48	22.20	13.30	1.10	5.50	0.46±0.05
171395-58*7	8	48	22.20	13.30	1.20	4.90	0.36±0.05
171395-58*8	8	48	22.20	13.30	1.20	5.50	0.36±0.05
171395-51*4	10	60	26.00	17.10	1.10	4.90	0.46±0.05
171395-51*5	10	60	26.00	17.10	1.10	5.50	0.46±0.05
171395-51*7	10	60	26.00	17.10	1.20	4.90	0.36±0.05
171395-51*8	10	60	26.00	17.10	1.20	5.50	0.36±0.05
171395-56*4	16	96	37.40	28.50	1.10	4.90	0.46±0.05
171395-56*5	16	96	37.40	28.50	1.10	5.50	0.46±0.05
171395-56*7	16	96	37.40	28.50	1.20	4.90	0.36±0.05
171395-56*8	16	96	37.40	28.50	1.20	5.50	0.36±0.05

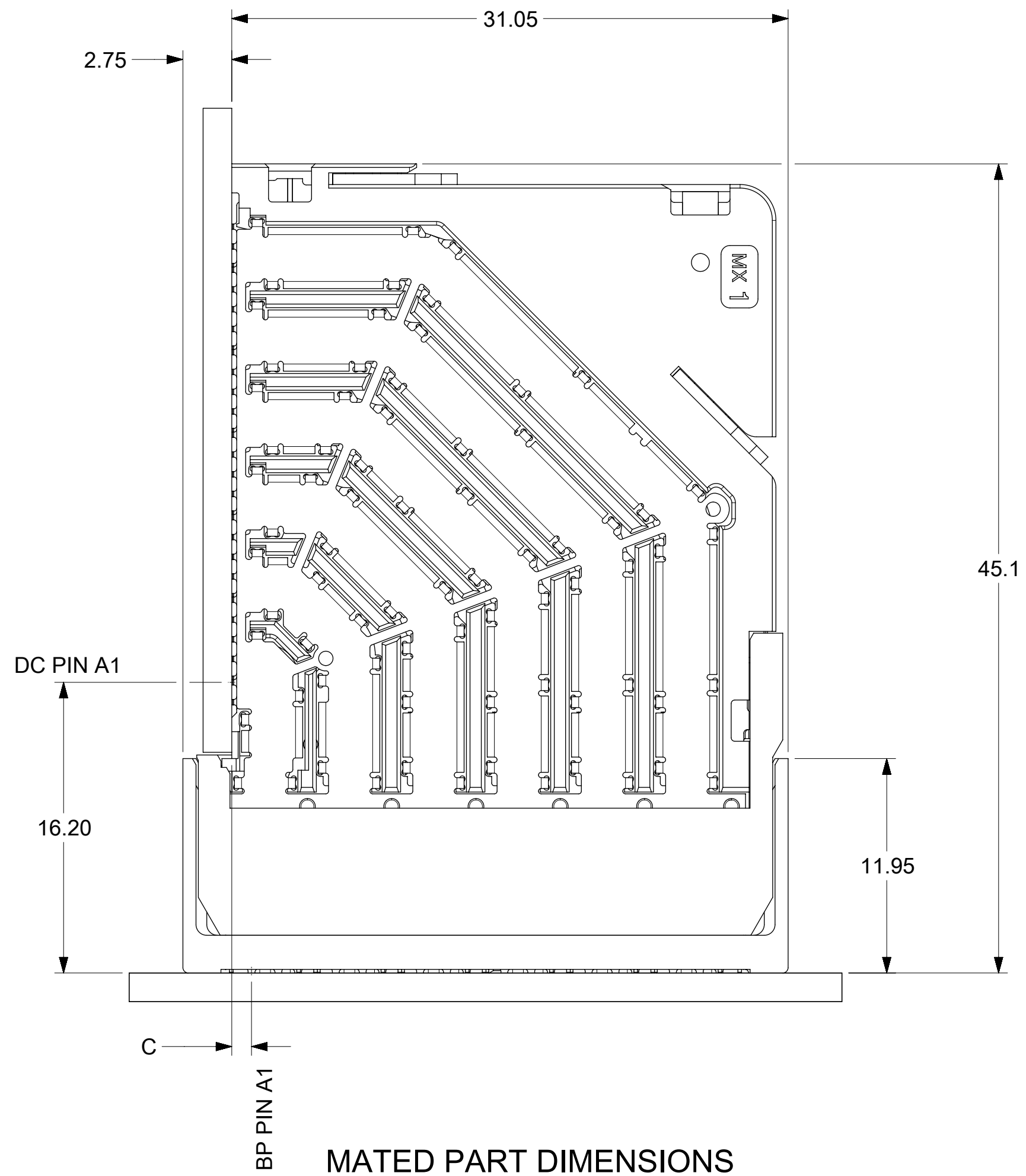
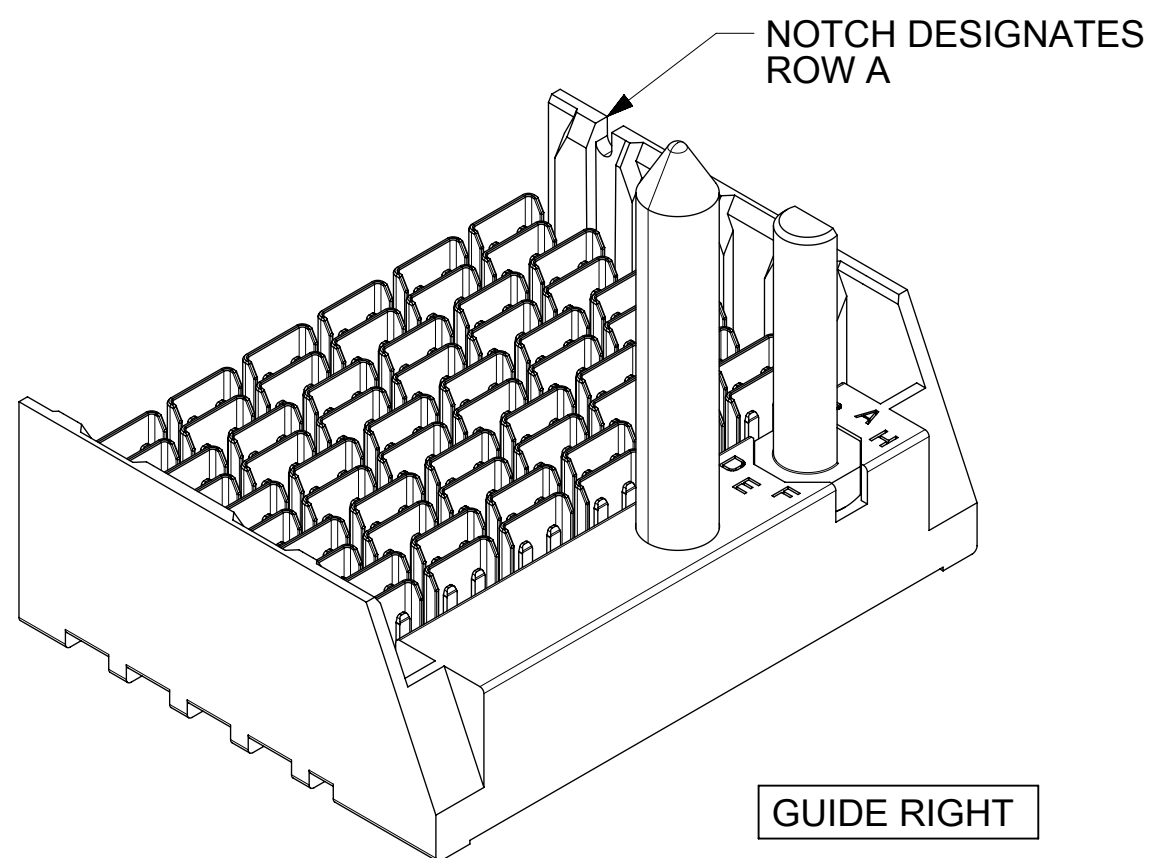
**171395-5\*\*\***

MODULE TYPE  
5 = GUIDE RIGHT

# OF COLUMNS  
8 = 8 COL  
1 = 10 COL  
6 = 16 COL

PIN LENGTH (P)  
4 = 4.90 (0.46 PTH)  
5 = 5.50 (0.46 PTH)  
7 = 4.90 (0.36 PTH)  
8 = 5.50 (0.36 PTH)

KEY ORIENTATION  
0 = NO KEY  
1 = A 5 = E  
2 = B 6 = F  
3 = C 7 = G  
4 = D 8 = H



THIS DRAWING CONTAINS INFORMATION THAT IS PROPRIETARY TO MOLEX ELECTRONIC TECHNOLOGIES, LLC AND SHOULD NOT BE USED WITHOUT WRITTEN PERMISSION											
DIMENSION UNITS		SCALE		CURRENT REV DESC: MIGRATED TO NX						<b>molex</b>	
MM		4:1									
GENERAL TOLERANCES (UNLESS SPECIFIED)				EC NO: 602211		2018/07/27		IMPEL 6 PAIR BACKPLANE GUIDE RIGHT ASSEMBLY SALES DRAWING			
ANGULAR TOL ± 0.5°				DRWN: JSGOH01		2018/08/01					
4 PLACES ±				CHK'D: YLLIM		2018/08/06		PRODUCT CUSTOMER DRAWING			
3 PLACES ±				APPR: DWLEE01							
2 PLACES ± 0.13				INITIAL REVISION:				DOCUMENT NUMBER			
1 PLACE ± 0.25				DRWN: JLAURX		2012/01/19					
0 PLACES ±				APPR: JLAURX		2012/11/27		PSD		001	
DRAFT WHERE APPLICABLE MUST REMAIN WITHIN DIMENSIONS				THIRD ANGLE PROJECTION		DRAWING					
				C-SIZE		SERIES		SEE CHART		GENERAL MARKET	
				C-SIZE		171395				SHEET NUMBER	
										2 OF 5	

MATERIAL NUMBER	NUMBER OF COLUMNS	NUMBER OF DIFF PAIR	DIM "A"	DIM "B"	DIM "C"	DIM "P"	PTH $\phi$
171395-91*4	10	60	27.39	17.10	1.10	4.90	0.46 $\pm$ 0.05
171395-91*5	10	60	27.39	17.10	1.10	5.50	0.46 $\pm$ 0.05
171395-91*7	10	60	27.39	17.10	1.20	4.90	0.36 $\pm$ 0.05
171395-91*8	10	60	27.39	17.10	1.20	5.50	0.36 $\pm$ 0.05
171395-96*4	16	96	38.79	28.50	1.10	4.90	0.46 $\pm$ 0.05
171395-96*5	16	96	38.79	28.50	1.10	5.50	0.46 $\pm$ 0.05
171395-96*7	16	96	38.79	28.50	1.20	4.90	0.36 $\pm$ 0.05
171395-96*8	16	96	38.79	28.50	1.20	5.50	0.36 $\pm$ 0.05

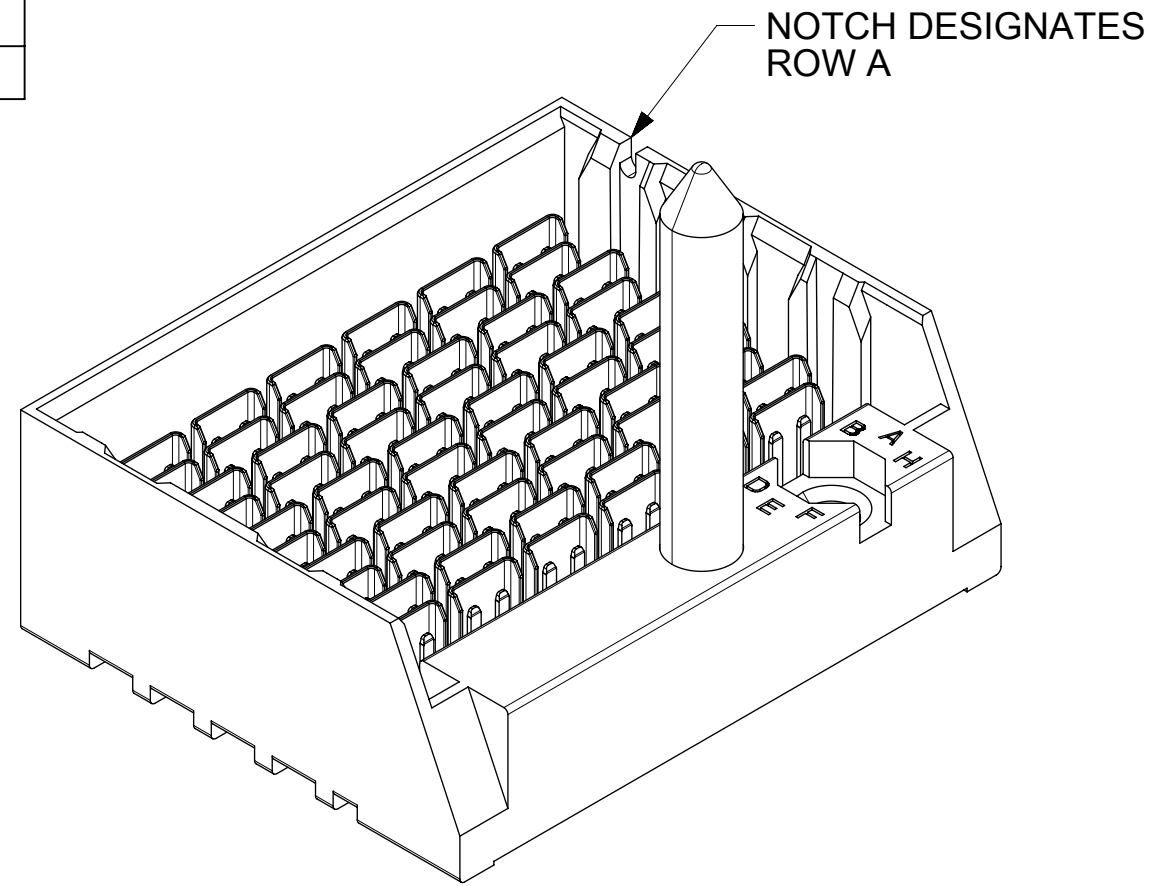
171395-9\*\*\*

MODULE TYPE  
9 = GUIDE RIGHT WITH END WALL

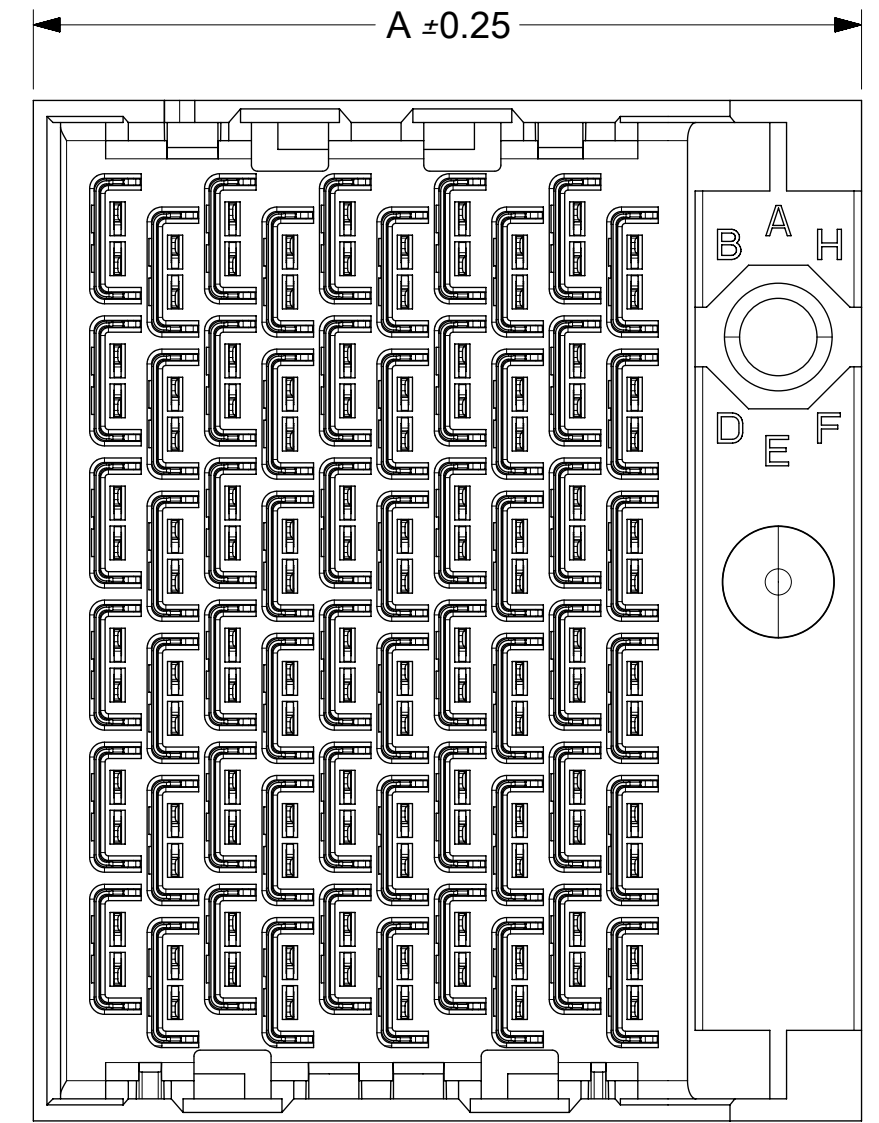
# OF COLUMNS  
8 = 8 COL  
1 = 10 COL  
6 = 16 COL

PIN LENGTH (P)  
4 = 4.90 (0.46 PTH)  
5 = 5.50 (0.46 PTH)  
7 = 4.90 (0.36 PTH)  
8 = 5.50 (0.36 PTH)

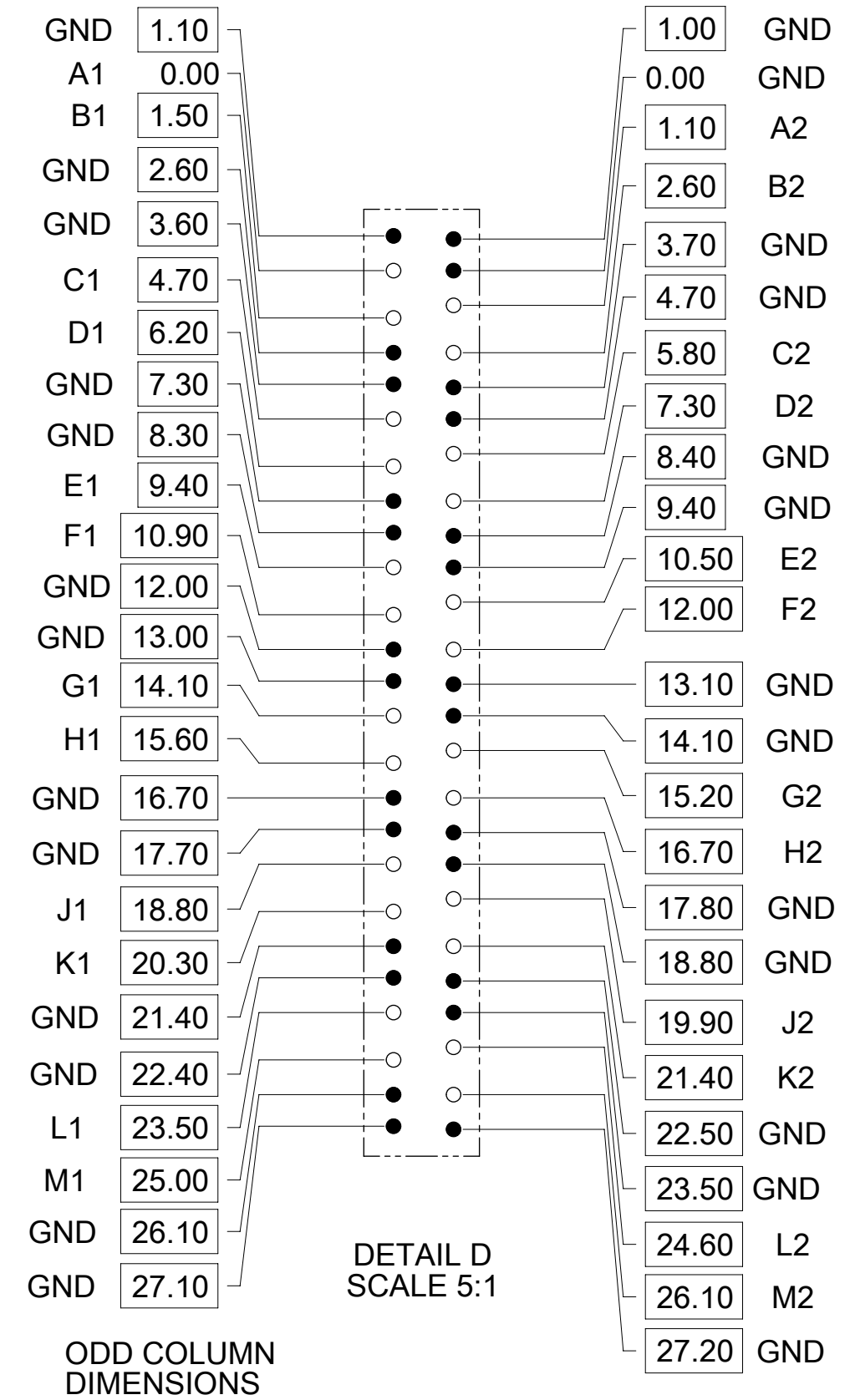
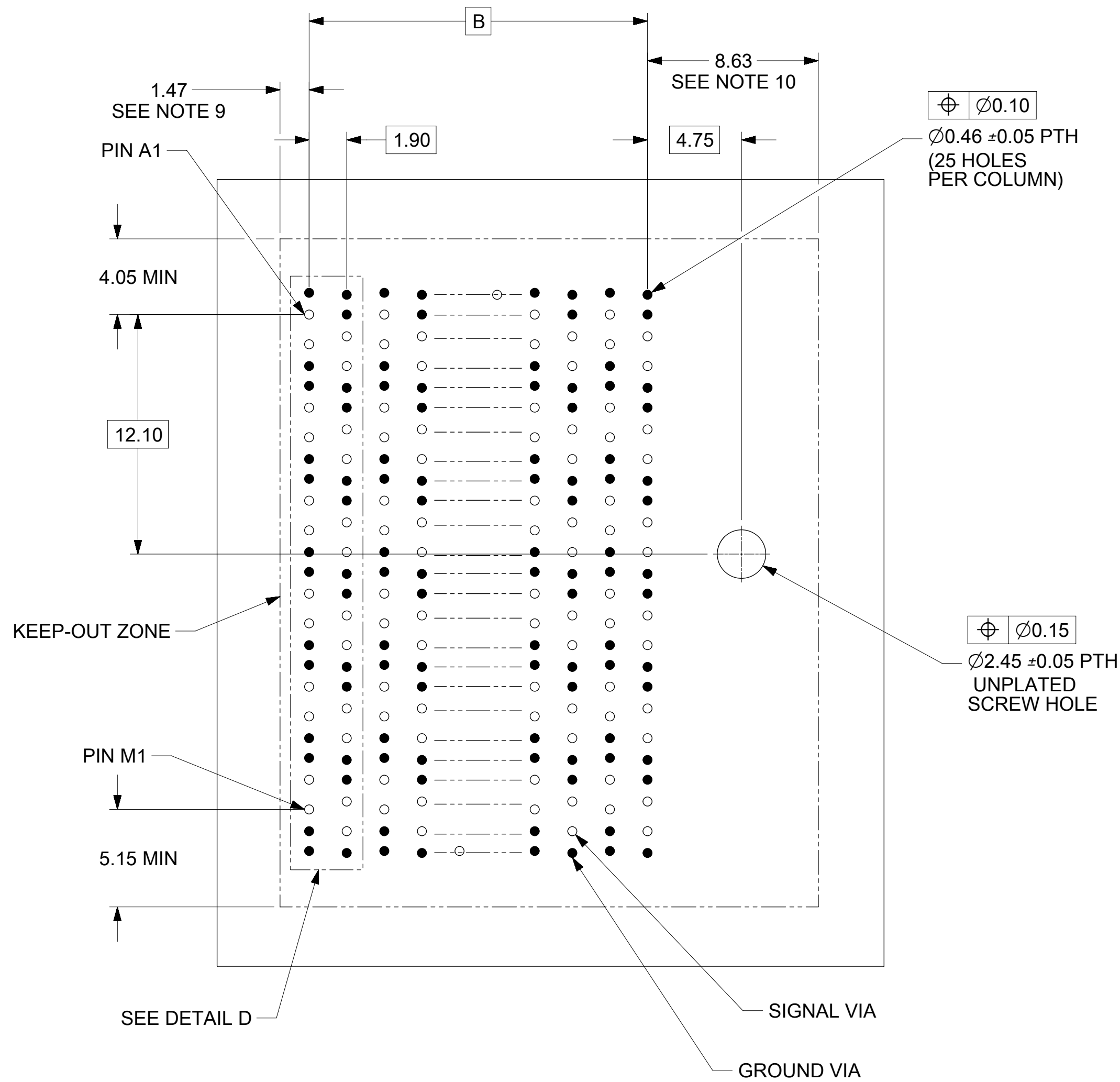
KEY ORIENTATION  
0 = NO KEY  
1 = A    5 = E  
2 = B    6 = F  
3 = C    7 = G  
4 = D    8 = H



GUIDE RIGHT WITH END WALL

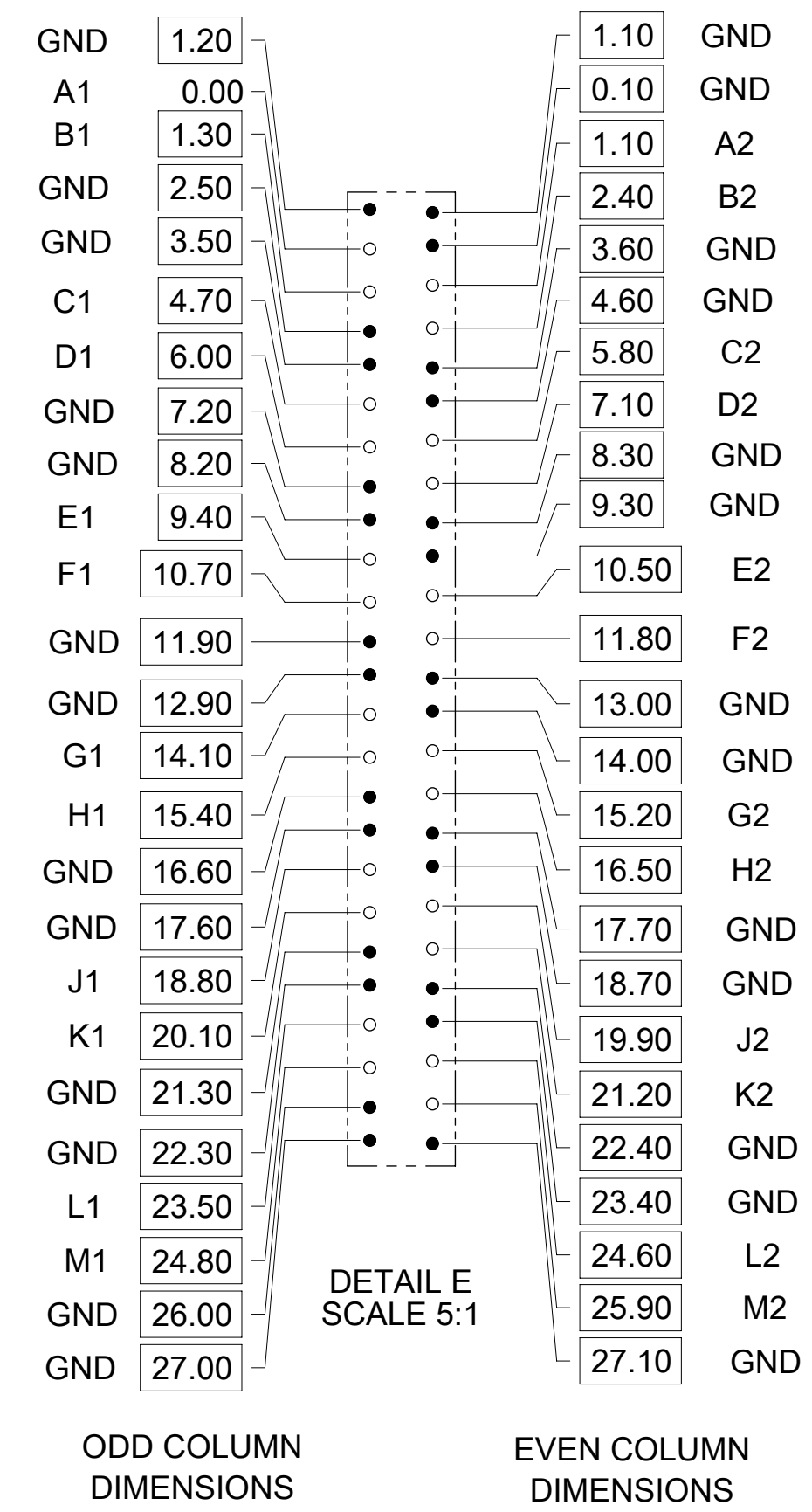
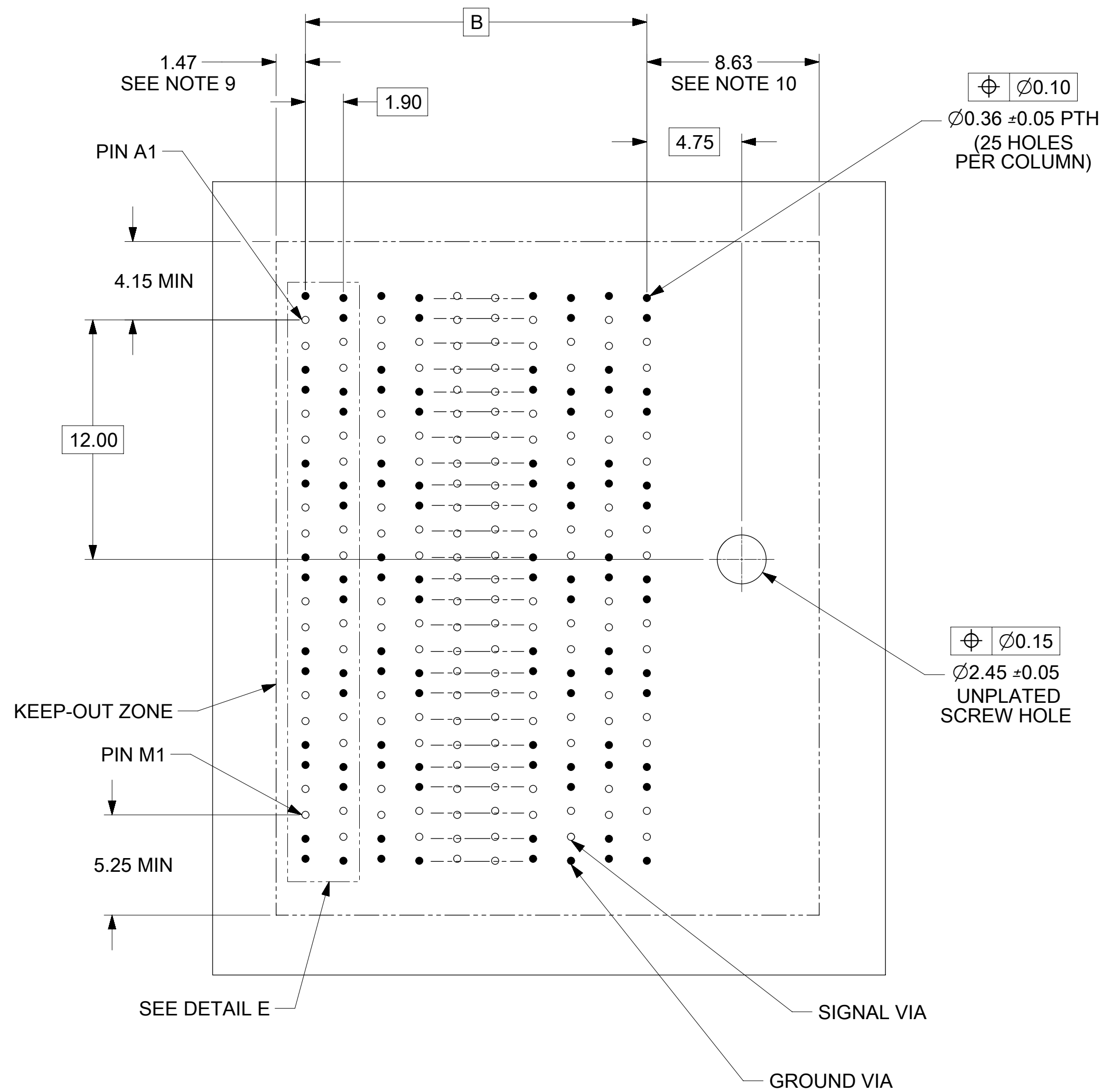


THIS DRAWING CONTAINS INFORMATION THAT IS PROPRIETARY TO MOLEX ELECTRONIC TECHNOLOGIES, LLC AND SHOULD NOT BE USED WITHOUT WRITTEN PERMISSION											
DIMENSION UNITS		SCALE		CURRENT REV DESC: MIGRATED TO NX							
MM		4:1		<b>molex</b> IMPEL 6 PAIR BACKPLANE GUIDE RIGHT ASSEMBLY SALES DRAWING PRODUCT CUSTOMER DRAWING							
GENERAL TOLERANCES (UNLESS SPECIFIED)											
ANGULAR TOL		± 0.5°		EC NO: 602211				2018/07/27			
4 PLACES		±		DRWN: JSGOH01				2018/08/01			
3 PLACES		±		CHK'D: YLLIM				2018/08/06			
2 PLACES		± 0.13		APPR: DWLEE01				2018/08/06			
1 PLACE		± 0.25		INITIAL REVISION:				2012/01/19			
0 PLACES		±		DRWN: JLAURX				2012/11/27			
DRAFT WHERE APPLICABLE MUST REMAIN WITHIN DIMENSIONS		THIRD ANGLE PROJECTION		DRAWING		SERIES		MATERIAL NUMBER		CUSTOMER	
				C-SIZE		171395		SEE CHART		GENERAL MARKET	
DOCUMENT NUMBER				DOC TYPE		DOC PART		REVISION			
SD-171395-0004				PSD		001		B8			
DOCUMENT STATUS		P1		RELEASE DATE		2018/08/06		16:48:22			
SHEET NUMBER		3 OF 5									



**BACKPLANE HOLE PATTERN  
FOR Ø0.46 PTH  
(CONNECTOR SIDE)**

THIS DRAWING CONTAINS INFORMATION THAT IS PROPRIETARY TO MOLEX ELECTRONIC TECHNOLOGIES, LLC AND SHOULD NOT BE USED WITHOUT WRITTEN PERMISSION									
DIMENSION UNITS: <b>MM</b>		SCALE: <b>5:1</b>		CURRENT REV DESC: MIGRATED TO NX					
GENERAL TOLERANCES (UNLESS SPECIFIED)				EC NO: 602211					
ANGULAR TOL ± 0.5°				DRWN: JSGOH01		2018/07/27		IMPEL 6 PAIR BACKPLANE GUIDE RIGHT ASSEMBLY SALES DRAWING	
4 PLACES ±				CHK'D: YLLIM		2018/08/01		PRODUCT CUSTOMER DRAWING	
3 PLACES ±				APPR: DWLEE01		2018/08/06			
2 PLACES ± 0.13				INITIAL REVISION:				DOCUMENT NUMBER	
1 PLACE ± 0.25				DRWN: JLAURX		2012/01/19		SD-171395-0004	
0 PLACES ±				APPR: JLAURX		2012/11/27		DOC TYPE: PSD	
DRAFT WHERE APPLICABLE MUST REMAIN WITHIN DIMENSIONS		THIRD ANGLE PROJECTION		DRAWING: C-SIZE		SERIES: 171395		DOC PART: 001	
								REVISION: B8	
								SHEET NUMBER: 4 OF 5	



BACKPLANE HOLE PATTERN  
FOR Ø0.36 PTH  
(CONNECTOR SIDE)

THIS DRAWING CONTAINS INFORMATION THAT IS PROPRIETARY TO MOLEX ELECTRONIC TECHNOLOGIES, LLC AND SHOULD NOT BE USED WITHOUT WRITTEN PERMISSION									
DIMENSION UNITS		SCALE		CURRENT REV DESC: MIGRATED TO NX					
MM		5:1							
GENERAL TOLERANCES (UNLESS SPECIFIED)				EC NO: 602211				IMPEL 6 PAIR BACKPLANE GUIDE RIGHT ASSEMBLY SALES DRAWING PRODUCT CUSTOMER DRAWING	
ANGULAR TOL ± 0.5°				DRWN: JSGOH01 2018/07/27					
4 PLACES ±				CHK'D: YLLIM 2018/08/01					
3 PLACES ±				APPR: DWLEE01 2018/08/06				DOCUMENT NUMBER	
2 PLACES ± 0.13				INITIAL REVISION:					
1 PLACE ± 0.25				DRWN: JLAURX 2012/01/19				SD-171395-0004	
0 PLACES ±				APPR: JLAURX 2012/11/27					
DRAFT WHERE APPLICABLE MUST REMAIN WITHIN DIMENSIONS		THIRD ANGLE PROJECTION		DRAWING		SERIES		MATERIAL NUMBER	
				C-SIZE		171395		SEE CHART	
DOCUMENT STATUS		RELEASE DATE		CUSTOMER		SHEET NUMBER		REVISION	
P1		2018/08/06 16:48:22		GENERAL MARKET		1		B8	