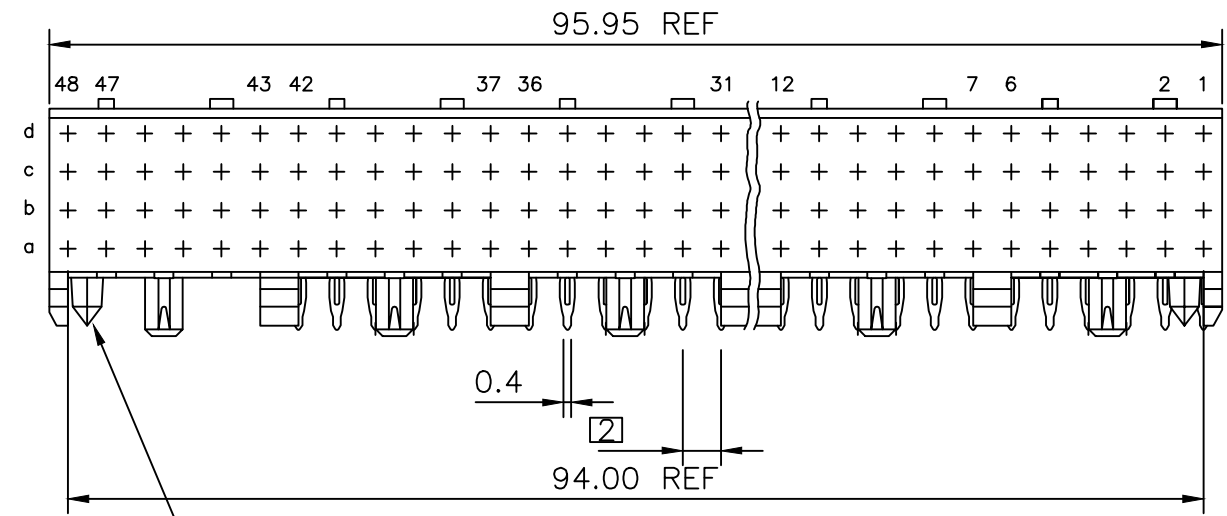
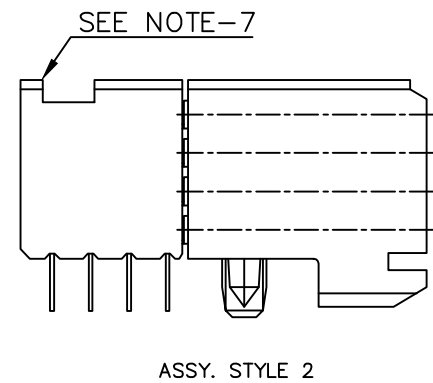
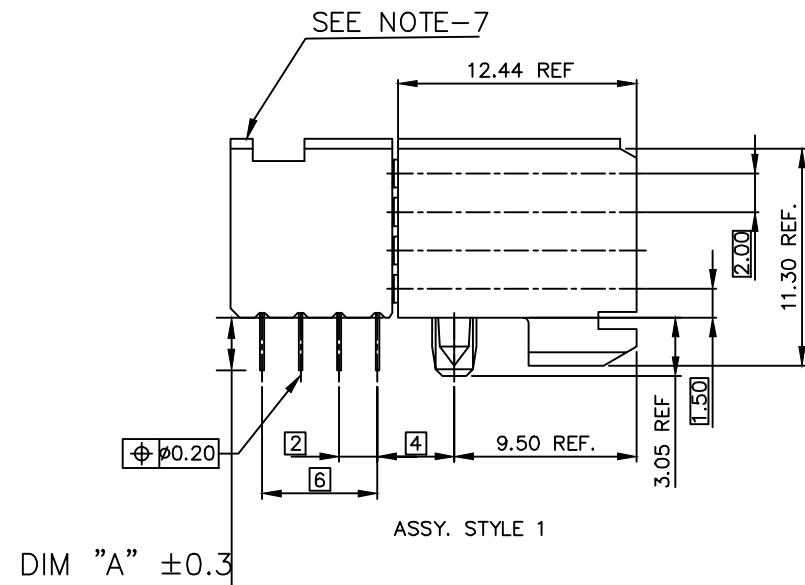


PRODUCT NUMBER	ASSY. STYLE	BOARD ATTACHMENT	TAIL TERMINATION	TAIL LGTH.	PCB THICKNESS	NOTES
SEE TABLE SH. 3	1	PRESS-PEG	PRESS-FIT	2.90mm	1.6mm	SEE NOTE-8
	1	PRESS-PEG	PRESS-FIT	3.53mm	2.4mm	
	2	PRESS-PEG	SOLDER-TO-BOARD	2.90mm	1.6mm	
	2	PRESS-PEG	SOLDER-TO-BOARD	3.53mm	2.4mm	



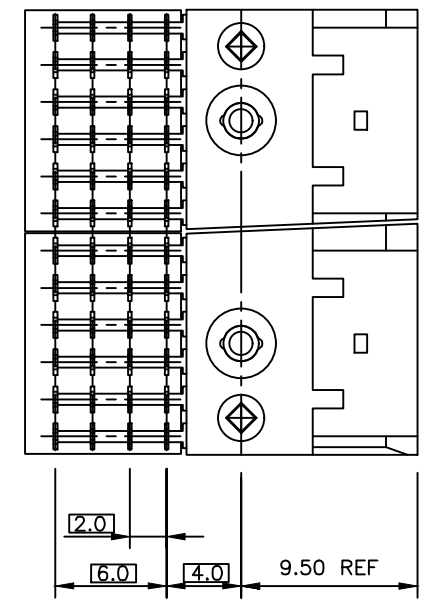
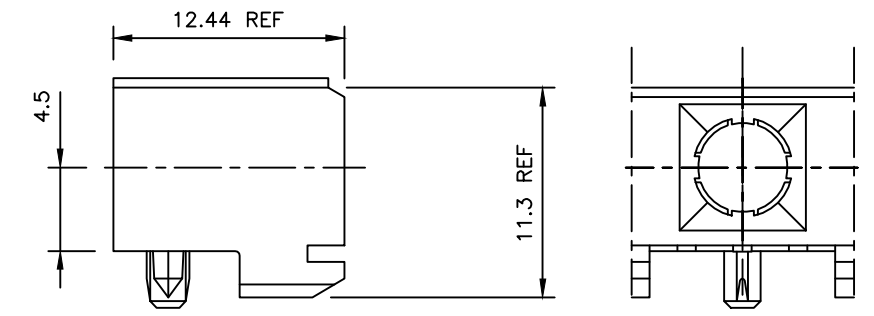
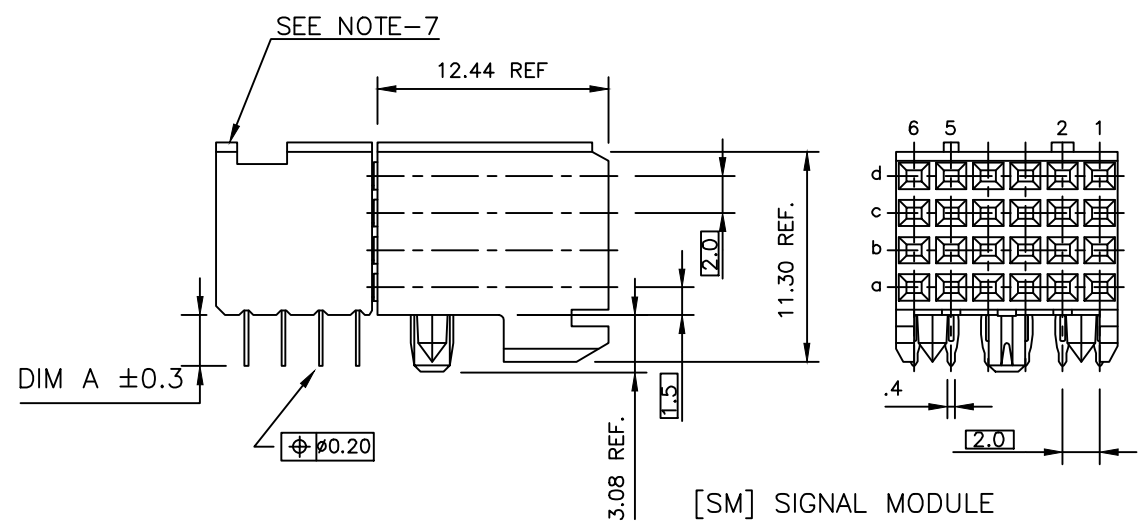
REFER NOTE-2
70485-XY YLF

NOTES:

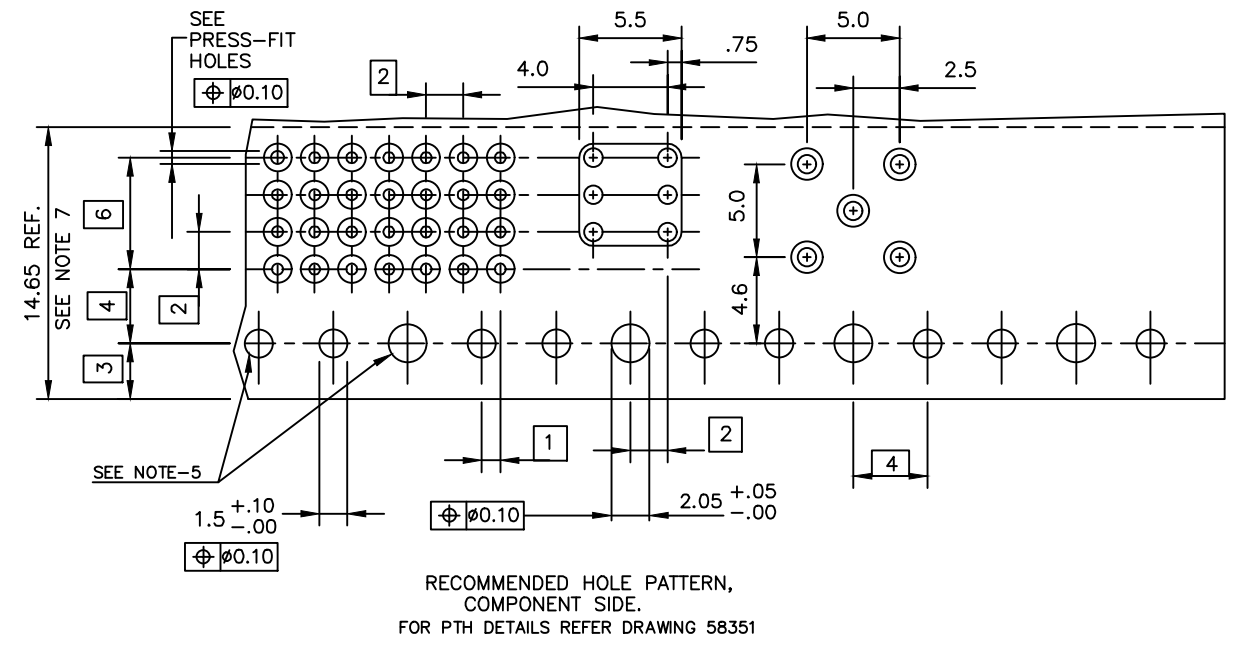
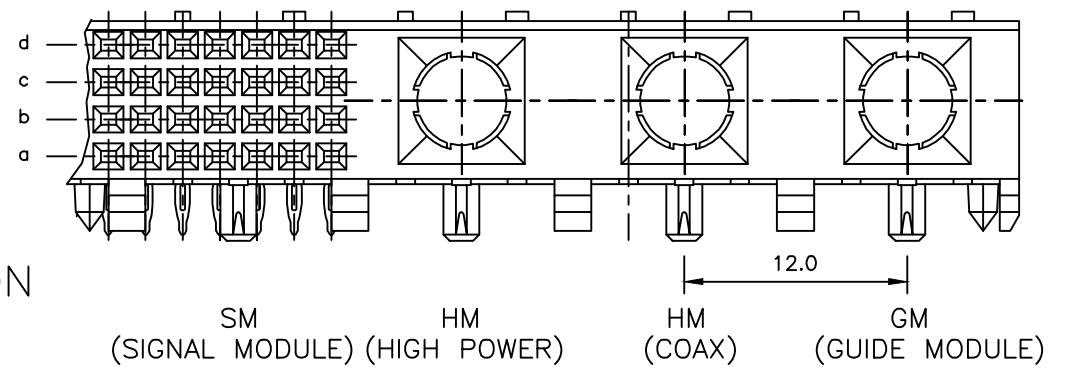
- MATERIAL : BODY : LCP UL94-V0
CONTACT : COPPER ALLOY.
- FOR PLATING PERFORMANCE REFER DRAWING # 101594.08 Δ
- PRODUCT SPECIFICATION : GS-12-002
- APPLICATION SPECIFICATIONS: BUS-20-061 , GS-20-001 , TA-941
- INDICATED HOLES ARE UN PLATED.
- DIAMOND LOCATION PEG ARE ONLY EXISTED ON THE BOTH SIDE OF THE PRODUCT.
- TOP SURFACE OF PRESS BLOCK MAY EXTEND UP TO 0.4 MM HIGHER THAN HOUSING THIS MAY AFFECT THE TAIL LENGTH BEFORE APPLICATION TO A BOARD.
- DIMENSIONS APPLIES TO BOTH PRESS-FIT AND SOLDER TAIL TERMINATIONS.
- THIS PRODUCT MEETS EUROPEAN UNION DIRECTIVES AND OTHER COUNTRY REGULATIONS AS DESCRIBED IN GS-47- 0004.
- ALL PRODUCTS WILL WITH STAND EXPOSURE TO 260°C FOR 60 SECONDS IN A CONVENTION, INFAR -RED OR VAPOR PHASE REFLOW OVEN.
- A Δ SYMBOL WILL BE NEXT TO ANY DIMENSION, VIEW, OR NOTE WHICH HAS BEEN MODIFIED WITH THE CURRENT DRAWING REVISION.

mat'l. code				surface	tolerance	projection	product family			
				ISO 1302	ISO 406	ISO 1101	METRAL			
ltr	ecn no	dr	date	tolerances unless otherwise specified			title			
K	DG09-0068	CENH	2009-06-06	angles	.X±0.3	mm	R/A SIGNAL HYBRID RECEPTACLE-96 MM			
L	DG-010768	QINDF	2012-02-24	linear	.XX±0.13					
M	ELX-I-38990	MINI	2020-11-17	0°±2°	.XXX±0.050		scale -			
				dr	FETROW	1996-12-13	dwg no		sheet 1 of 3	size
				enr	ARUN	2020-11-17	70485		A3	
				chr	ALEX BABU	2020-11-17	type Product Customer Drawing			
				appd	SANOJ	2020-11-17				
sheet index	revision sheet	M	M	M						
		1	2	3						

Amphenol FCI
© 2016 AFCl



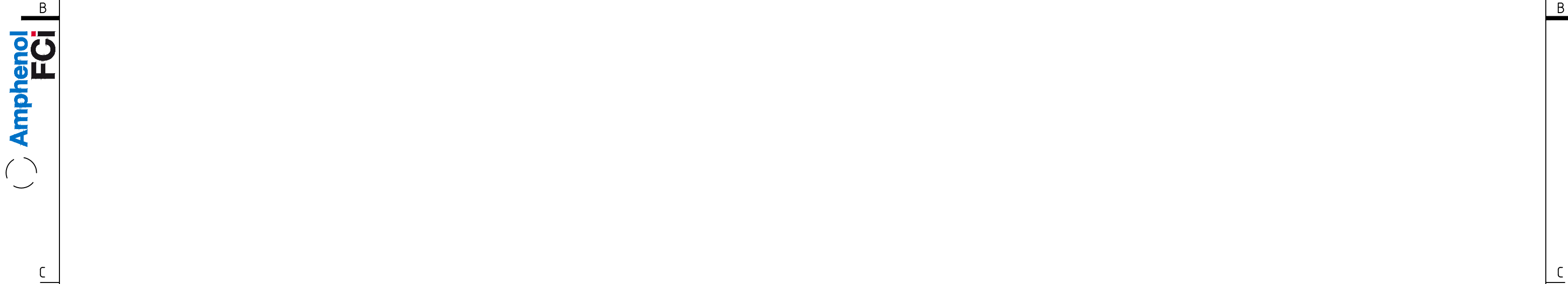
FOR ILLUSTRATION PURPOSES



mat'l. code		surface	tolerance	projection	product family
		ISO 1302	ISO 406 ISO 1101		METRAL
ltr	ecn no	dr	date	title	
K	DG09-0068	CENH	2009-06-06	R/A SIGNAL HYBRID RECEPTACLE-96 MM	
L	DG-010768	QINDF	2012-02-24	tolerances unless otherwise specified	
M	ELX-I-38990	MINI	2020-11-17	angles linear	
			0°±2°	.X±0.3	mm
				.XX±0.13	mm
				.XXX±0.050	scale -
		dr	FETROW	1996-12-13	dwg no
		engr	ARUN	2020-11-17	sheet 2 of 3
		chr	ALEX BABU	2020-11-17	size
		appd	SANOJ	2020-11-17	A3
sheet index		revision	M M M	type	
		sheet	1 2 3	Product Customer Drawing	

PRODUCT NO	ASSY TYPE	TAIL LENGTH	DIM "C"	DIM "D"	ROW	48	47	46	45	44	43	42	41	40	39	38	37	36	35	34	33	32	31	30	29	28	27	26	25	24	23	22	21	20	19	18	17	16	15	14	13	12	11	10	9	8	7	6	5	4	3	2	1
70485-X001LF	1 NOTE 8	2.90	95.95	94.00	D							X X X X X X						X X X X X X						X X X X X X						X X X X X X						- X X X X -						- X X X X -											
					C	X X X X X X						X X X X X X						X X X X X X						X X X X X X						- X X X X -						- X X X X -																	
					B	X X X X X X						X X X X X X						X X X X X X						X X X X X X						- X X X X -						- X X X X -																	
					A	X X X X X X						X X X X X X						X X X X X X						X X X X X X						- X X X X -						- X X X X -																	
MODULE TYPE						GM						SM						SM						SM						SM						SM						GM											
70485-X002LF	1 NOTE 8	2.90	95.95	94.00	D	X X X X X X						X X X X X X						X X X X X X						X X X X X X						● ● ○												X X X X X X						X X X X X X					
					C	X X X X X X						X X X X X X						X X X X X X						X X X X X X						○ ● ○						- X X X X -						- X X X X -											
					B	X X X X X X						X X X X X X						X X X X X X						X X X X X X						○ ● ○						- X X X X -						- X X X X -											
					A	X X X X X X						X X X X X X						X X X X X X						X X X X X X						○ ● ○						- X X X X -						- X X X X -											
MODULE TYPE						SM						SM						SM						SM						KM						GM						SM						SM					
70485-X003LF	1 NOTE 8	2.90	95.95	94.00	D	X X X X X X						X X X X X X						X X X X X X						X X X X X X						○ ○ ●												X X X X X X						X X X X X X					
					C	X X X X X X						X X X X X X						X X X X X X						X X X X X X						○ ○ ●						- X X X X -						- X X X X -											
					B	X X X X X X						X X X X X X						X X X X X X						X X X X X X						○ ○ ●						- X X X X -						- X X X X -											
					A	X X X X X X						X X X X X X						X X X X X X						X X X X X X						○ ○ ●						- X X X X -						- X X X X -											
MODULE TYPE						SM						SM						SM						SM						KM						GM						SM						SM					
70485-X004LF	2 NOTE 8	2.90	95.95	94.00	D							X X X X X X						X X X X X X						X X X X X X						X X X X X X						- X X X X -						- X X X X -											
					C	X X X X X X						X X X X X X						X X X X X X						X X X X X X						- X X X X -						- X X X X -																	
					B	X X X X X X						X X X X X X						X X X X X X						X X X X X X						- X X X X -						- X X X X -																	
					A	X X X X X X						X X X X X X						X X X X X X						X X X X X X						- X X X X -						- X X X X -																	
MODULE TYPE						GM						SM						SM						SM						SM						SM						SM						GM					

LOAD PATTERN	
	DENOTES PLUGGED POSITIONS
X	LOADED
-	NOT LOADED



mat'l. code				surface <input checked="" type="checkbox"/> ISO 1302		tolerance <input checked="" type="checkbox"/> ISO 406		projection <input checked="" type="checkbox"/> 1:1		product family METRAL			
ltr	ecn no	dr	date	tolerances unless otherwise specified						title			
K	DG09-0068	CENH	2009-06-06	angles		linear		mm		R/A SIGNAL HYBRID RECEPTACLE-96 MM			
L	DG-010768	QINDF	2012-02-24	0°±2°				scale -		sheet 3 of 3			
M	ELX-I-38990	MINI	2020-11-17							70485			
				dr		FETROW		1996-12-13		dwg no			
				enr		ARUN		2020-11-17		Product Customer Drawing			
				chr		ALEX BABU		2020-11-17		type			
				appd		SANOJ		2020-11-17		size A3			
sheet index		revision sheet		M	M	M							
				1	2	3							

Amphenol FCI

© 2016 AFCI