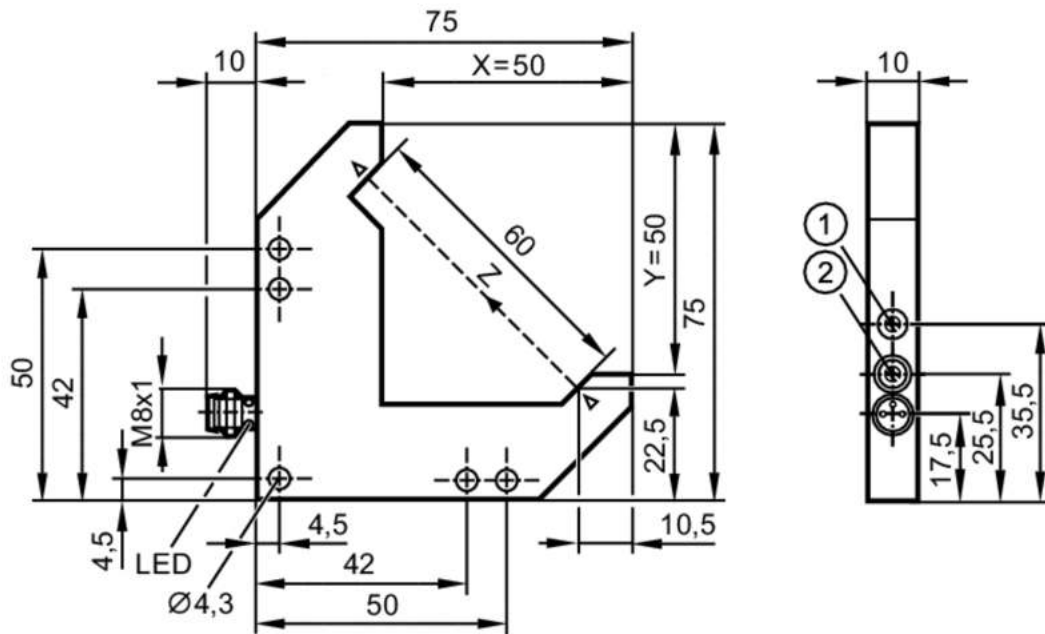


# OPL200



## Photoelectric angle sensor

OPL-FCKG/IO-LINK/AS



- 1 potentiometer sensitivity
- 2 output function switch



### Product characteristics

Type of light red light

### Electrical data

Operating voltage	[V]	10...30 DC; ("supply class 2" to cULus)
Current consumption	[mA]	< 30
Protection class		III
Reverse polarity protection		yes
Type of light		red light
Wave length	[nm]	660

### Outputs

Electrical design		PNP
Output function		light-on/dark-on mode; (selectable)
Max. voltage drop switching output DC	[V]	1
Permanent current rating of switching output DC	[mA]	100
Switching frequency DC	[Hz]	5000
Short-circuit protection		yes
Type of short-circuit protection		pulsed
Overload protection		yes

### Detection zone

Diameter of the smallest detectable object	[mm]	0.3
--	------	-----



## Photoelectric angle sensor

OPL-FCKG/IO-LINK/AS

Interfaces		
Communication interface	IO-Link	
Transmission type	COM2 (38,4 kBaud)	
IO-Link revision	1.1	
SDCI standard	IEC 61131-9	
Profiles	Smart Sensor: Device Identification; Device Diagnosis; Teach Channel; Switching Channel; Process Data Variable	
SIO mode	yes	
Required master port type	A	
Min. process cycle time [ms]	3.2	
Supported DeviceIDs	Type of operation	DeviceID
	Default	978

Operating conditions		
Ambient temperature [°C]	-25...60	
Protection	IP 67	

Tests / approvals		
EMC	EN 60947-5-2	
MTTF [years]	709	

Mechanical data		
Weight [g]	114.5	
Dimensions [mm]	75 x 10 x 75	
Side length X [mm]	50	
Side length Y [mm]	50	
Sensor width Z [mm]	60	
Materials	housing: diecast zinc black anodised; lens: glass	

Displays / operating elements		
Display	switching status	1 x LED, yellow

Remarks		
Remarks	operating voltage "supply class 2" according to cULus	
Pack quantity	1 pcs.	

### Electrical connection

Connector: 1 x M8; coding: A



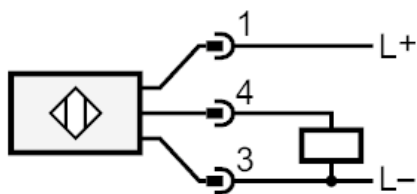
# OPL200



## Photoelectric angle sensor

OPL-FCKG/IO-LINK/AS

### Connection



4: OUT / IO-Link