

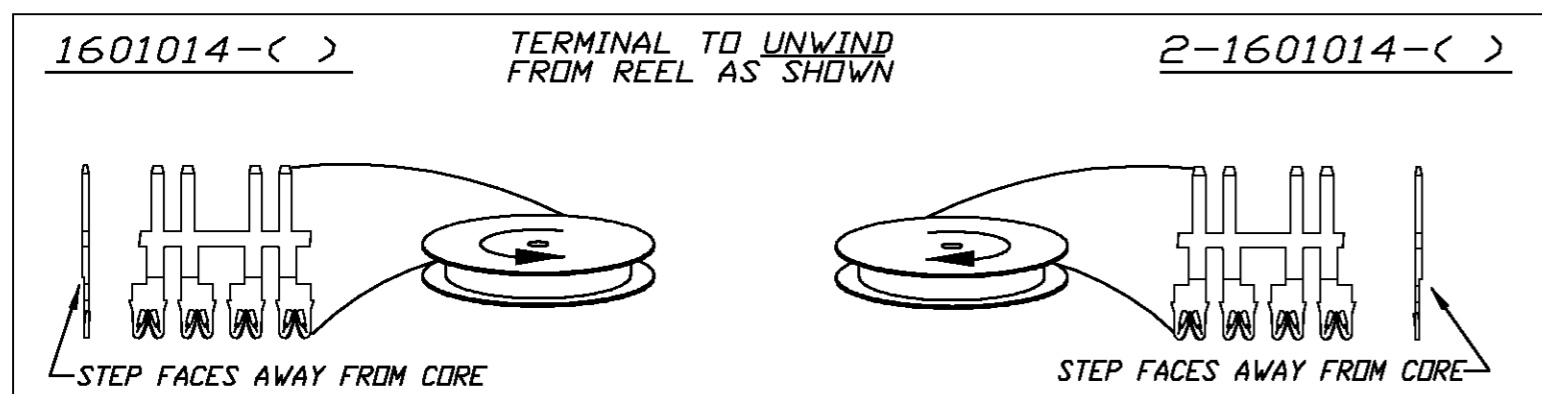
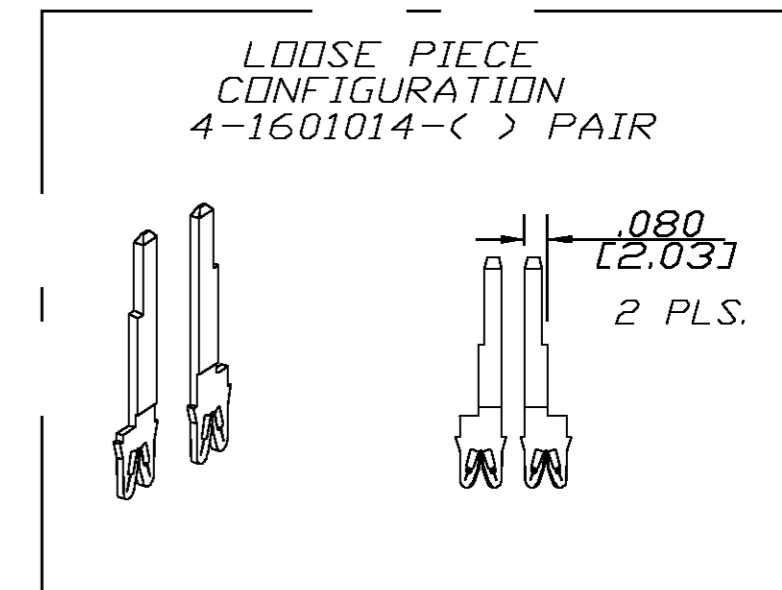
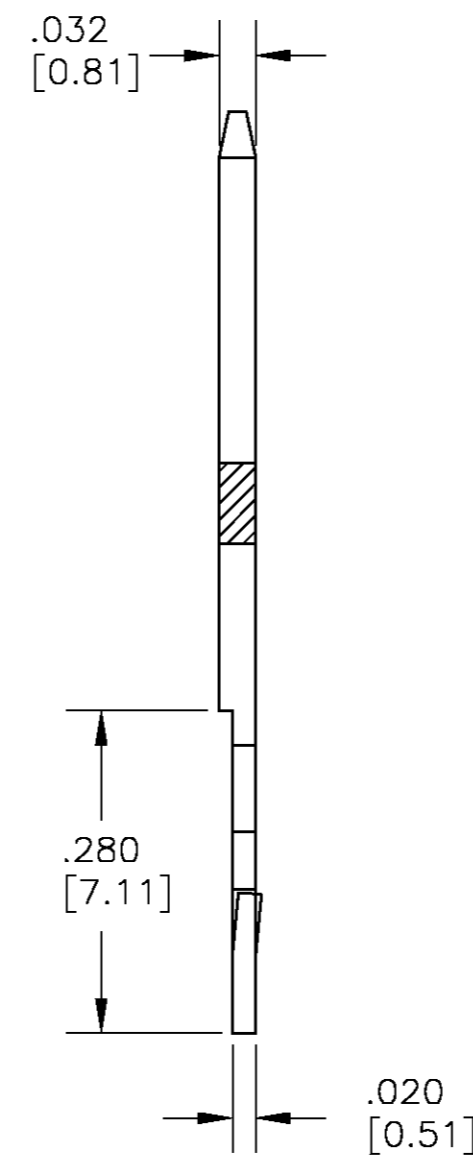
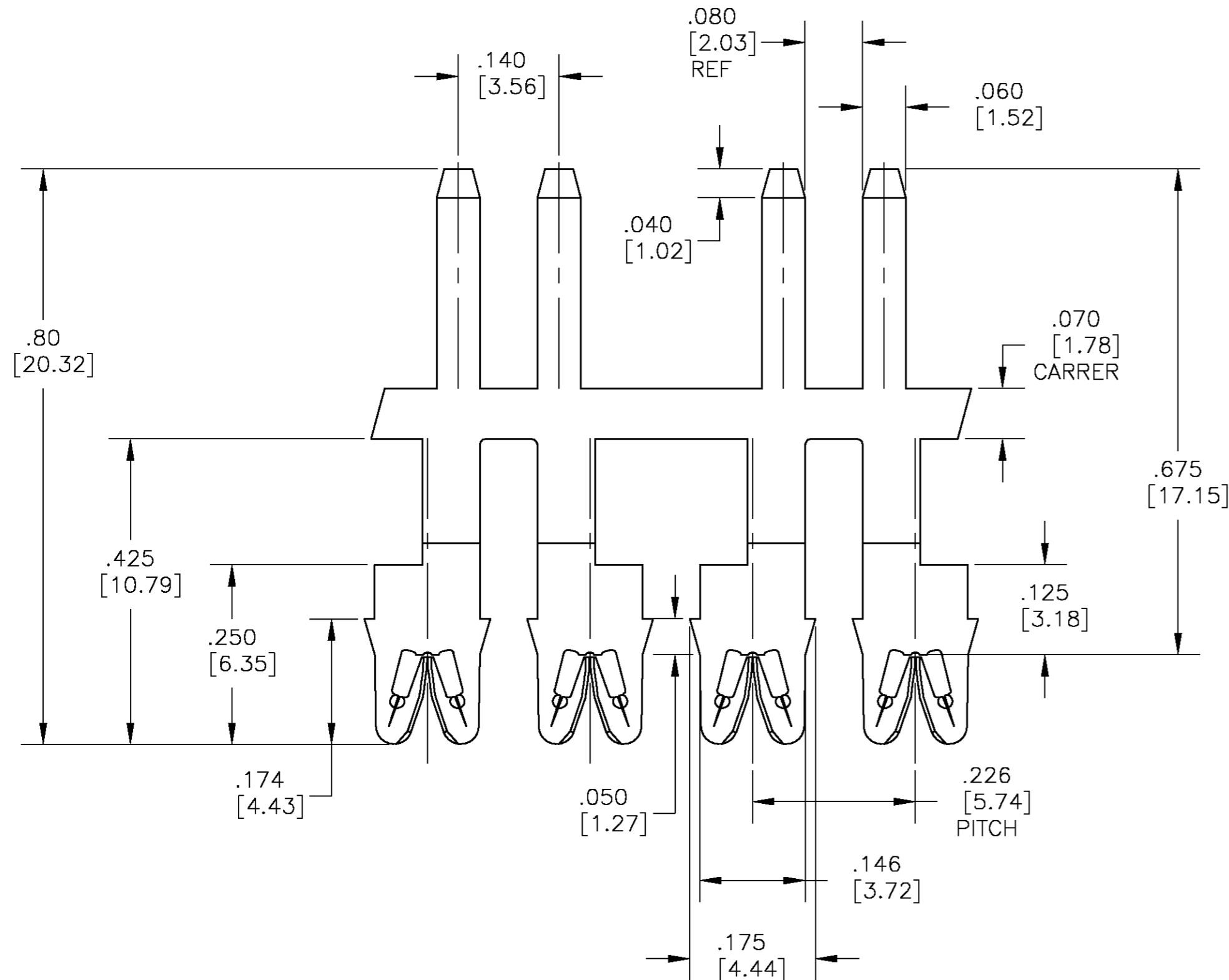
THIS DRAWING IS UNPUBLISHED. RELEASED FOR PUBLICATION
 © COPYRIGHT BY TYCO ELECTRONICS CORPORATION. ALL RIGHTS RESERVED.

LOC	DIST	REVISIONS			
P	LTR	DESCRIPTION	DATE	DWN	APVD
AF	50	C	REV PER 0663-0020-03	25APR02	RF GJ

1. SPECIFICATIONS:
 MAGNET WIRE #34 - #18 AWG,
 .006" [0.16mm] - .040" [1.02mm] DIA.
 OTHER SIZES MAY BE ACCOMMODATED,
 CONSULT TYCO ELECTRONICS FOR APPROVAL.

2. POCKET RECOMMENDATION:
 #1601427

3. NOTES:
 EACH PART NO. REPRESENTS ONE
 PAIR OF TERMINALS, ONE LEFT
 HAND & ONE RIGHT HAND AS SHOWN



-	-	-
-	-	-
-	-	-
-	-	-
Pre-Tin Plate over Copper Underplate	131-034-014	2-1601014-2
Pre-Tin Plate over Copper Underplate	131-033-014	1601014-2
FINISH	REFERENCE PART NUMBER	TYCO PART NUMBER
THIS DRAWING IS A CONTROLLED DOCUMENT.	DWN 11JAN2002 J.WELLER	Tyco Electronics Corporation Harrisburg, PA 17105-3608
DIMENSIONS: INCHES	CHK 11JAN2002 M.FEHER	
TOLERANCES UNLESS OTHERWISE SPECIFIED:	APVD 11JAN2002 K.RANDOLPH	
0 PLC ± - 1 PLC ± - 2 PLC ± .01[0.25] 3 PLC ± .005[0.13] 4 PLC ± - 2 ANGLES ± 2	PRODUCT SPEC 108-2085 APPLICATION SPEC 408-8629	
MATERIAL BRASS, 3/4 HARD	FINISH SEE TABLE	NAME STANDARD RANGE WIRE TO .060" OFFSET TAB PAIR SIAMEZE TERMINAL
	WEIGHT -	SIZE A2
	CUSTOMER DRAWING	CAGE CODE 00779
		DRAWING NO C=1601014
		RESTRICTED TO -
		SCALE 6:1
		SHEET 1 OF 1
		REV C