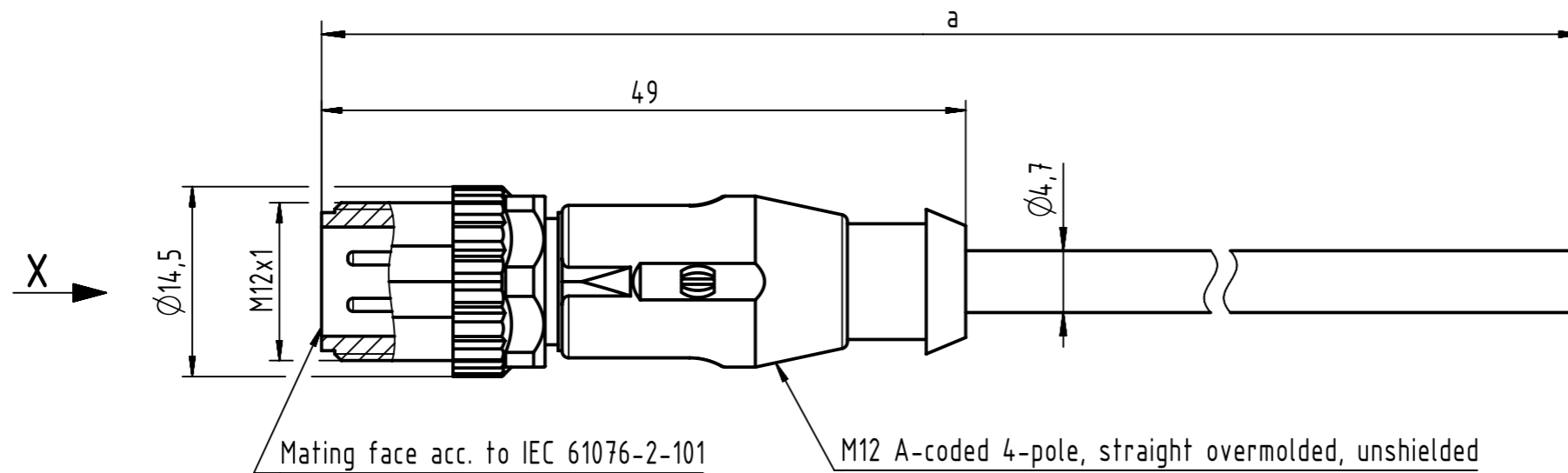
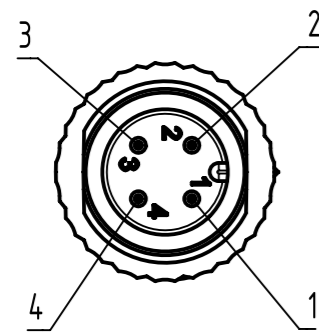


Connector Location A

Connector Location B

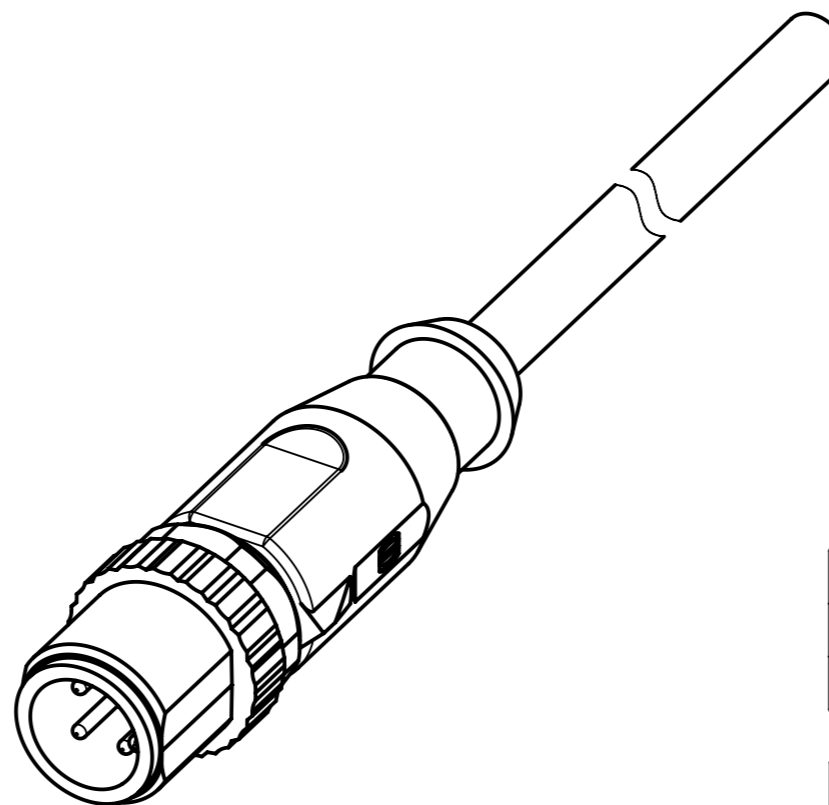


X
male



Loading-Plan:

- 1 brown
- 2 white
- 3 blue
- 4 black



- Protection level: IP67
- Temperature range: -25°C ... +80°C

length in "1m" step	40	XXX=40
	39	XXX=39
	.	.
	12	XXX=120
	11	XXX=110
length in "0.1m" step	10	XXX=100
	9.9	XXX=099
	9.8	XXX=098
	.	.
	0.4	XXX=004
	0.3	XXX=003
	0.2	XXX=002
	0.1	XXX=001
Step	a [m]	XXX

4.0 to 40	±1%
0.1 to 3.9	+0.04
a [m]	Tolerance

PVC grey, 4x0.34mm ²	21348400484XXX
Type of cable	Part no.

	All rights reserved	Created by COSTEA Costea	Inspected by STOCECIC Stoceci	Standardisation MUNTEANV Muntean	Date 2018-12-17	State Final Release
	Department HCS - RO	Title M12 Cable Assembly A-cod st/- m/-			Doc-Key / ECM-Nr. 100578816/UGD/009/C 500000144899	
HARTING Customised Solutions D-32339 Espelkamp		Type TB	Number 21348400484XXX		Rev. C	Page 1/1