



Tolerance compensation for door-coupling rotary operating mechanism for harsh conditions Size S00...S3

product brand name	SIRIUS	
product designation	tolerance compensation	
suitability for use	Circuit breaker S00, S0, S2, S3	
General technical data		
size of the circuit-breaker	S00, S0, S2, S3	
product feature can be locked into OFF position	Yes	
certificate of suitability	CE / UL / CSA	
Actuator		
product feature interlock	Yes	
color of the actuating element	black	
Installation/ mounting/ dimensions		
mounting position	any	
fastening method	screw fixing	
Approvals Certificates		
General Product Approval	Declaration of Conformity	Test Certificates

[Confirmation](#)



[Special Test Certificate](#)

[Type Test Certificates/Test Report](#)

Marine / Shipping

other



[Confirmation](#)



Further information

Siemens has decided to exit the Russian market (see here).

<https://press.siemens.com/global/en/pressrelease/siemens-wind-down-russian-business>

Siemens is working on the renewal of the current EAC certificates.

Please contact your local Siemens office on the status of validity of the EAC certification if you intend to import or offer to supply these products to an EAC relevant market (other than the sanctioned EAEU member states Russia or Belarus).

Information on the packaging

<https://support.industry.siemens.com/cs/ww/en/view/109813875>

Information- and Downloadcenter (Catalogs, Brochures,...)

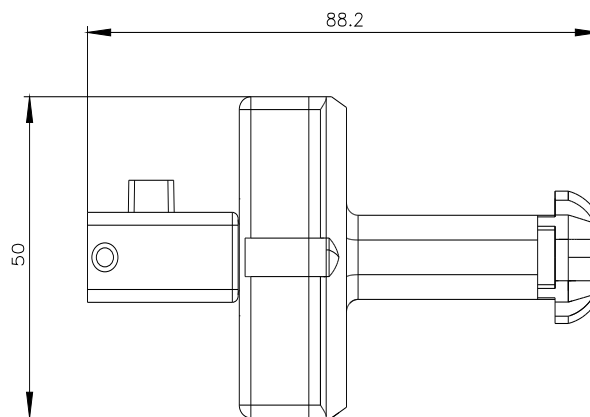
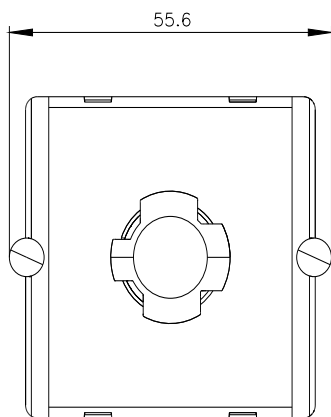
<https://www.siemens.com/ic10>

Industry Mall (Online ordering system)

<https://mall.industry.siemens.com/mall/en/en/Catalog/product?mlfb=3RV2926-2Q>

Cax online generator

<http://support.automation.siemens.com/WW/CAXorder/default.aspx?lang=en&mlfb=3RV2926-2Q>



last modified:

12/1/2021 