

THIS DRAWING CONTAINS INFORMATION THAT IS PROPRIETARY TO MOLEX ELECTRONIC TECHNOLOGIES, LLC AND SHOULD NOT BE USED WITHOUT WRITTEN PERMISSION									
DIMENSION UNITS		SCALE		CURRENT REV DESC:				molex	
mm		6:1							
GENERAL TOLERANCES (UNLESS SPECIFIED)									
ANGULAR TOL ± 3.0°									
4 PLACES ±									
3 PLACES ±									
2 PLACES ± 0.2									
1 PLACE ± 0.2									
0 PLACES ±									
DRAFT WHERE APPLICABLE MUST REMAIN WITHIN DIMENSIONS				THIRD ANGLE PROJECTION		DRAWING		SERIES	
				A3-SIZE		205714		MATERIAL NUMBER	
DOCUMENT STATUS				P1		RELEASE DATE		2018/09/25 01:52:54	
								CUSTOMER	
								GENERAL MARKET	
								SHEET NUMBER	
								1 OF 3	

9 8 7 6 5 4 3 2 1

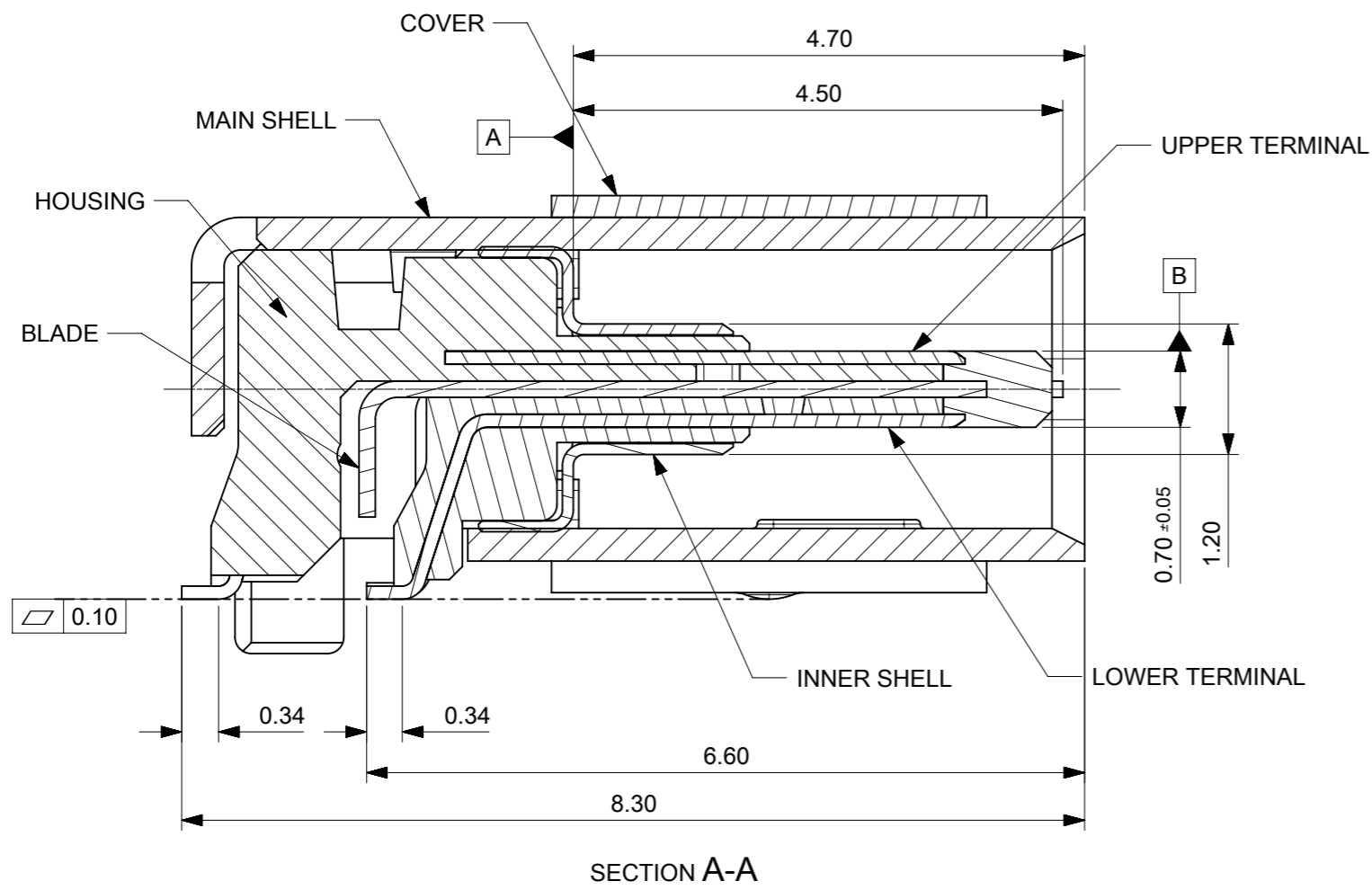
E

D

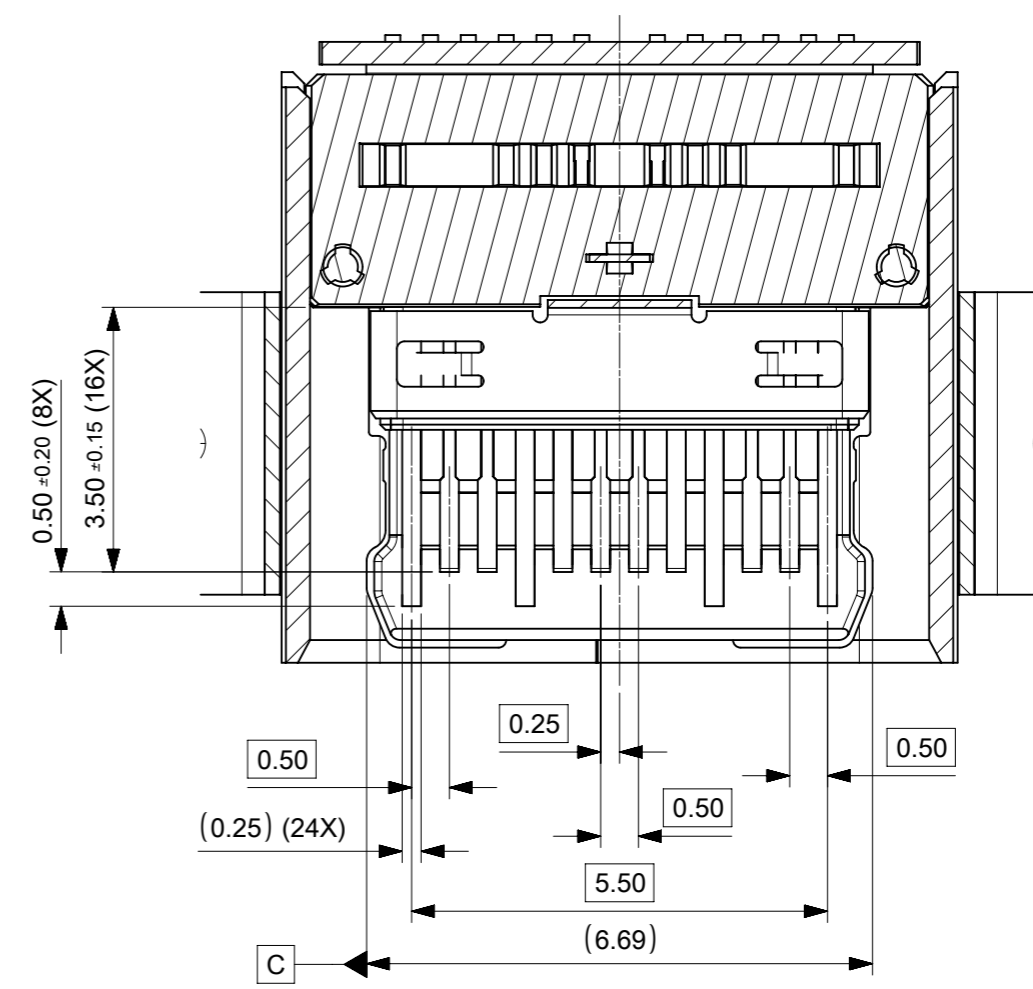
C

B

A



SECTION A-A

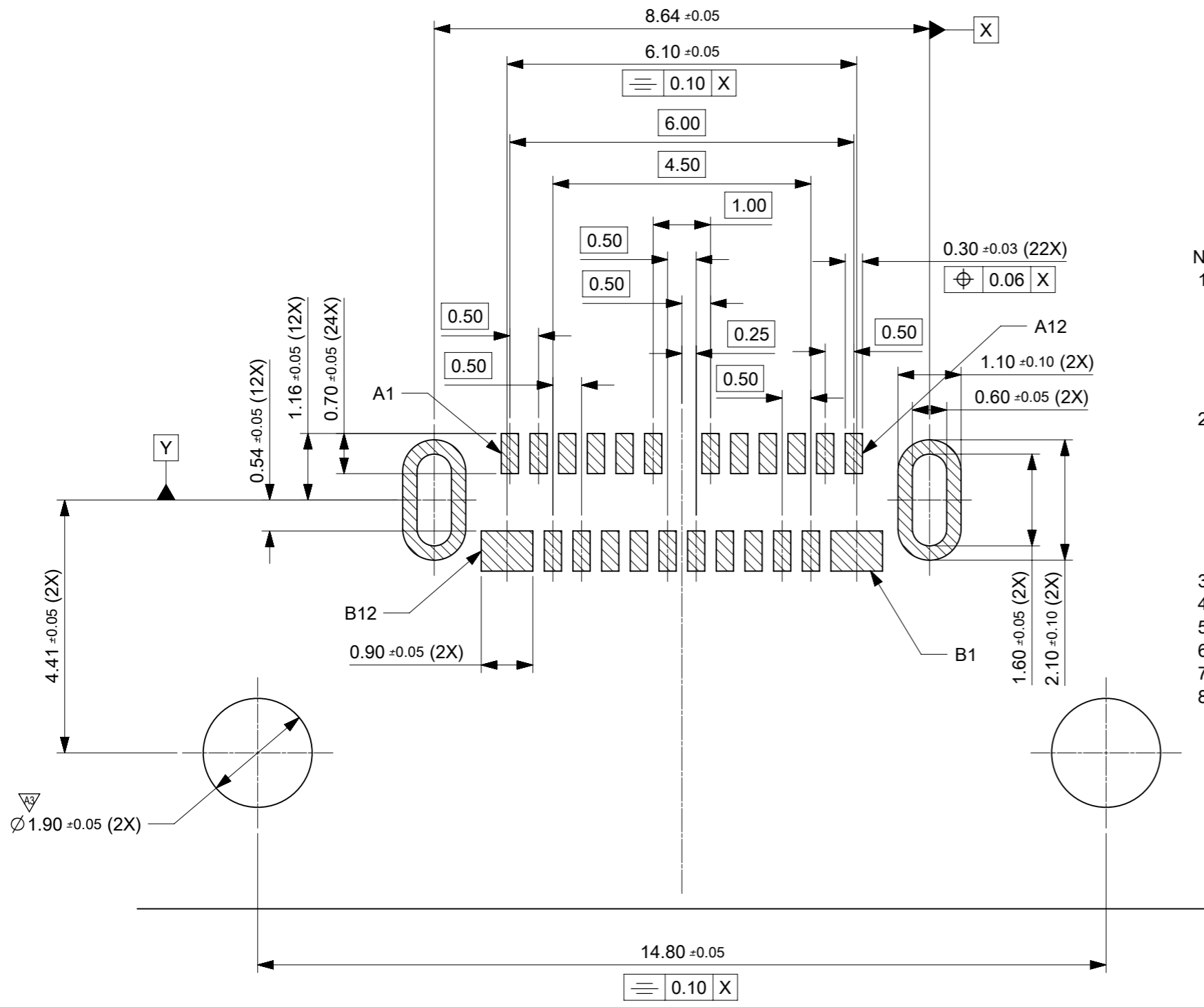


SECTION B-B

THIS DRAWING CONTAINS INFORMATION THAT IS PROPRIETARY TO MOLEX ELECTRONIC TECHNOLOGIES, LLC AND SHOULD NOT BE USED WITHOUT WRITTEN PERMISSION									
DIMENSION UNITS		SCALE		CURRENT REV DESC:				molex	
mm		10:1							
GENERAL TOLERANCES (UNLESS SPECIFIED)									
ANGULAR TOL ± 3.0°									
4 PLACES ±									
3 PLACES ±									
2 PLACES ± 0.2									
1 PLACE ± 0.2									
0 PLACES ±									
DRAFT WHERE APPLICABLE MUST REMAIN WITHIN DIMENSIONS				THIRD ANGLE PROJECTION		DRAWING		SERIES	
				A3-SIZE		205714			
DOCUMENT NUMBER				DOCUMENT NUMBER		DOCUMENT NUMBER		DOCUMENT NUMBER	
2057141001				2057141001		2057141001		2057141001	
DOC TYPE				DOC PART		REVISION			
PSD				000		A			
CUSTOMER				CUSTOMER		CUSTOMER		CUSTOMER	
GENERAL MARKET				GENERAL MARKET		GENERAL MARKET		GENERAL MARKET	
SHEET NUMBER				SHEET NUMBER		SHEET NUMBER		SHEET NUMBER	
2 OF 3				2 OF 3		2 OF 3		2 OF 3	

DOCUMENT STATUS	P1	RELEASE DATE	2018/09/25	01:52:54
-----------------	----	--------------	------------	----------

9 8 7 6 5 4 3 2 1



RECOMMENDED PCB LAYOUT
RECOMMENDED STENCIL THICKNESS IS 0.13

- NOTES:
- MATERIAL,
HOUSING: HIGH TEMPERATURE THERMAL PLASTIC ,
30% GLASS FILLED, BLACK, UL94V-0.
TERMINAL: COPPER ALLOY
SHELL: STAINLESS STEEL
MIDDLE BLADE: STAINLESS STEEL
 - PLATING:
TERMINAL: CONTACT AREA: 0.76 MICROMETER MIN. GOLD PLATING
SOLDER TAIL: 0.05 MICROMETER MIN. GOLD PLATING
UNDER PLATING: 2.0 MICROMETER MIN. NICKEL PLATING OVERALL
SHELL: 1.25 MICRON MIN. SOLDERABLE NICKEL PLATING OVERALL
MIDDLE BLADE: SOLDER TAIL: 1.25 MICRON MIN. TIN PLATING
UNDER PLATING: 1 MICRON MIN. NICKEL PLATING OVERALL
 - PRODUCT SPEC REFER TO PS-105448-001
 - COSMETIC SPEC REFER TO PS-45499-002
 - PACKAGE SPEC REFER TO 2057148888
 - COPLANARITY OF SMT PINS SOLDER TAIL IS 0.10 MAX. BEFORE REFLOW AND AFTER REFLOW
 - T/H SOLDER TAIL POSITION BE CONTROLLED BY GAUGE
 - PRODUCT COMPLANT TO ROHS DIERTIVE 2011/65/EU
AND ELV DIRECTIVE 2000/53/EC

PIN ASSIGNMENT											
A1	A2	A3	A4	A5	A6	A7	A8	A9	A10	A11	A12
GND	TX1+	TX1-	Vbus	CC1	D+	D-	SBU1	Vbus	RX2-	RX2+	GND
GND	RX1+	RX1-	Vbus	SBU2	D-	D+	CC2	Vbus	TX2-	TX2+	GND
B12	B11	B10	B9	B8	B7	B6	B5	B4	B3	B2	B1

THIS DRAWING CONTAINS INFORMATION THAT IS PROPRIETARY TO MOLEX ELECTRONIC TECHNOLOGIES, LLC AND SHOULD NOT BE USED WITHOUT WRITTEN PERMISSION											
DIMENSION UNITS mm	SCALE 1:1	CURRENT REV DESC:								molex	
GENERAL TOLERANCES (UNLESS SPECIFIED)		EC NO: 604678									
ANGULAR TOL	± 3.0 °	DRWN: RZHANG		2018/08/29		USB TYPE C WITH SCREW HOLE COVER					
4 PLACES	±	CHK'D: AYIN		2018/09/25		PRODUCT CUSTOMER DRAWING					
3 PLACES	±	APPR: AYIN		2018/09/25		INITIAL REVISION:					
2 PLACES	± 0.2	DRWN: RZHANG		2018/08/29		DOCUMENT NUMBER		DOC TYPE	DOC PART	REVISION	
1 PLACE	± 0.2	APPR: AYIN		2018/09/25		2057141001		PSD	000	A	
0 PLACES	±	THIRD ANGLE PROJECTION		DRAWING	SERIES	MATERIAL NUMBER	CUSTOMER	SHEET NUMBER			
DRAFT WHERE APPLICABLE MUST REMAIN WITHIN DIMENSIONS		A3-SIZE		205714	2057141001	GENERAL MARKET		3 OF 3			