



**ANATECH ELECTRONICS INC**  
RF & Microwave Filters & Products

## 22.63 MHz LC Band Pass Filter

**Part Number: AE22.63B5449**



### Electrical Specifications

**Center Frequency:** 22.63 MHz  
**3dB Passband:** 19.09-26.94 MHz Min  
**Insertion Loss:** 4.0 dB Max.  
**Return Loss:** 14 dB Min.  
**Rejection1:** 40 dB Min @ 16.07 MHz  
**Rejection2:** 40dB Min @ 31.87 MHz  
**Power Handling:** 10 W

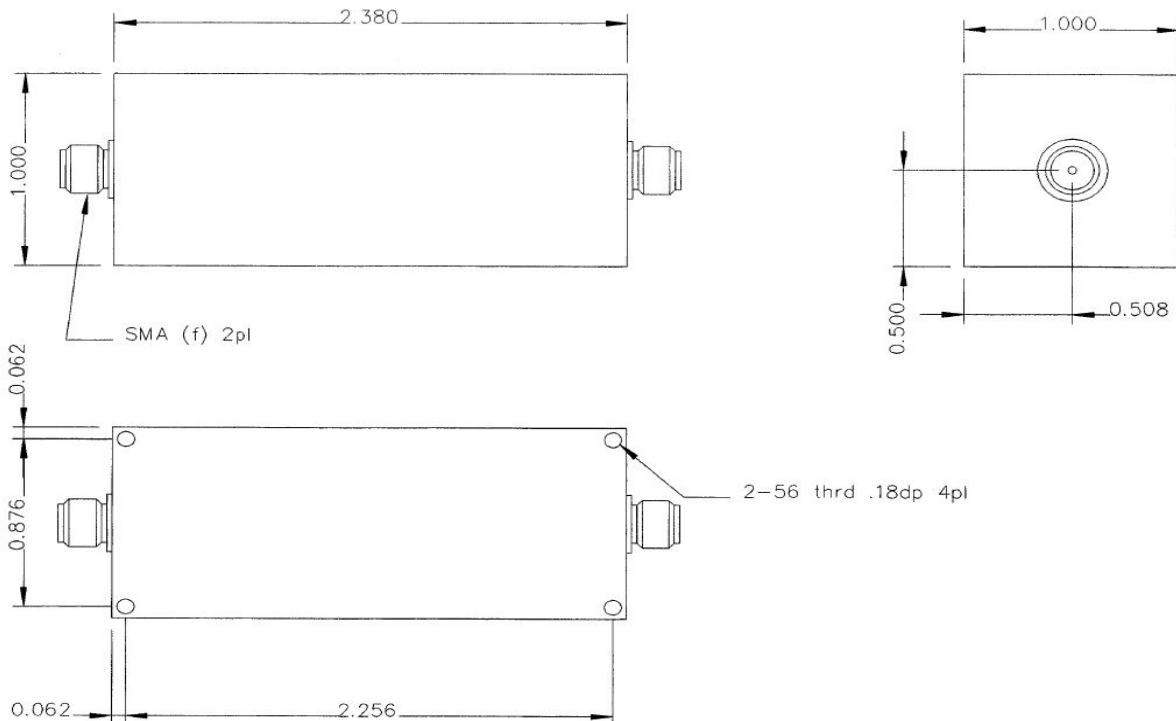
### Mechanical

**Mounting Method:** Threaded Holes  
**Connector Type:** SMA(F)  
**Dimensions:** 2.38" X 1.0" x 1.0".

### Environmental

**Operating Temperature:** -25°C to +70°C  
**Storage Temperature:** -40°C to +90°C  
**Shock:** 10 G. 11ms  
**Vibration:** 10 G. 5 to 200Hz

### Outline Drawing:



Tolerance: +/-0.01 inches [+/- 0.3mm]

Angles: +/- 1 Deg.

\*Tolerance as shown unless otherwise specified in the datasheet electrical specification tables above.

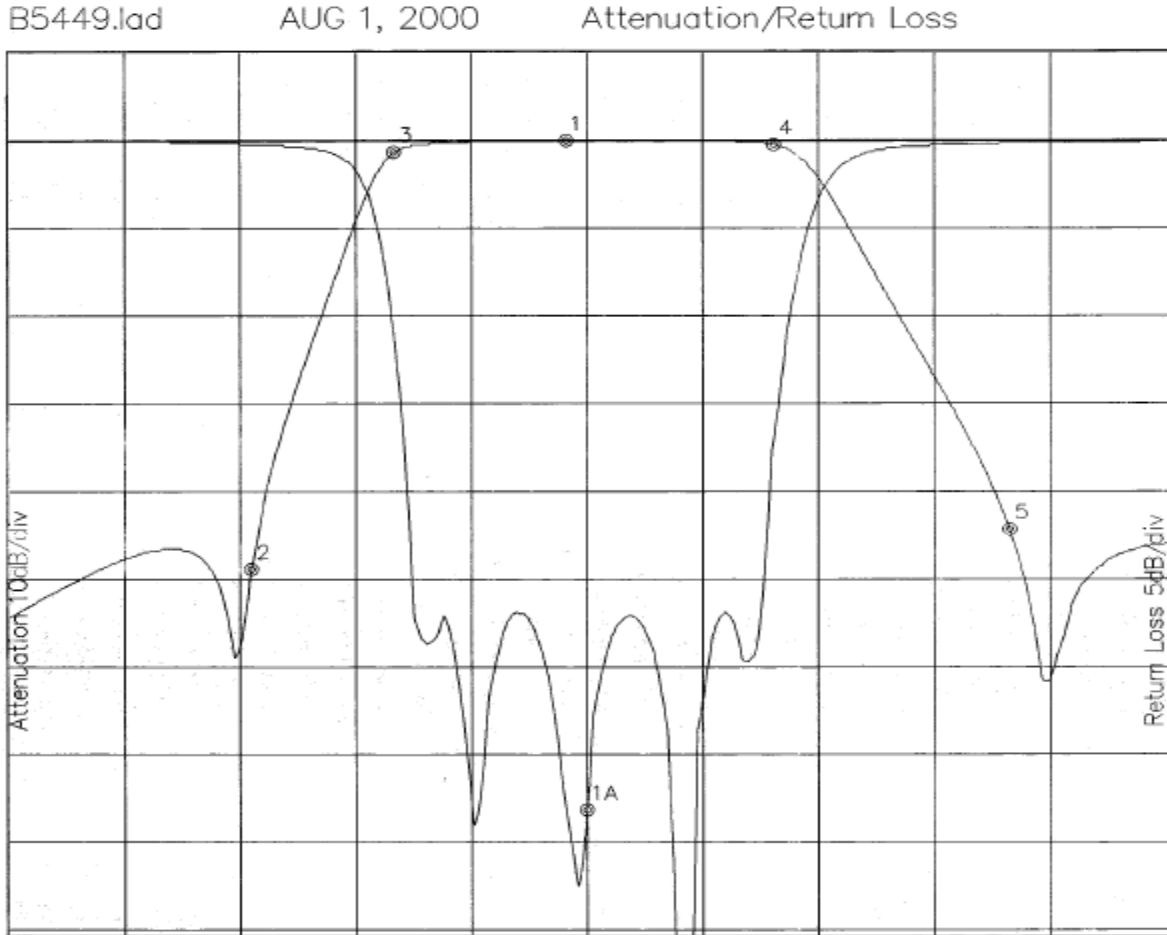
\*When max dimensions are called out the above tolerances do not apply as long as it is under the max call out.

70 Outwater Lane Phone: (973) 772-4242  
 Garfield, NJ 07026 Fax : (973) 321-3941

Email: [sales@anatechelectronics.com](mailto:sales@anatechelectronics.com)  
 Web: [www.anatechelectronics.com](http://www.anatechelectronics.com)



### Simulation Plot:



Attenuation Start: 11.0MHz    Stop: 35.0MHz      Return Loss Start: 11.0MHz    Stop: 35.0MHz  
Offset -0.6521dB  
Marker 1 Freq 22.554MHz Atten 0.057dB      Marker 1A Freq 22.981MHz Ret Loss -38.171dB  
Marker 2 Freq 16.002MHz Atten -48.932dB  
Marker 3 Freq 18.948MHz Atten -1.368dB  
Marker 4 Freq 26.858MHz Atten -0.472dB  
Marker 5 Freq 31.743MHz Atten -44.350dB

Note: This is a simulated response plot. Actual performance might differ.