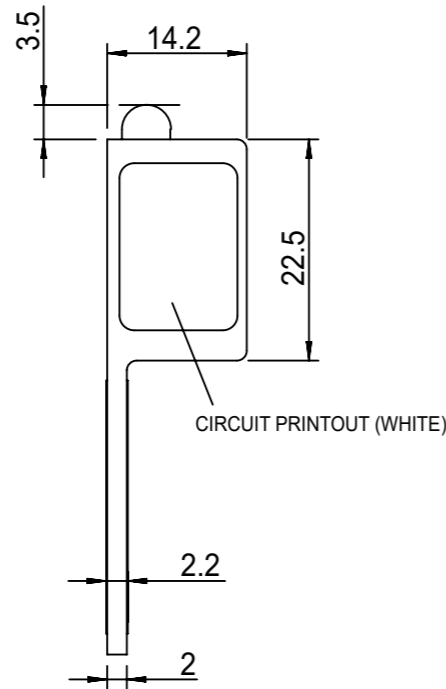
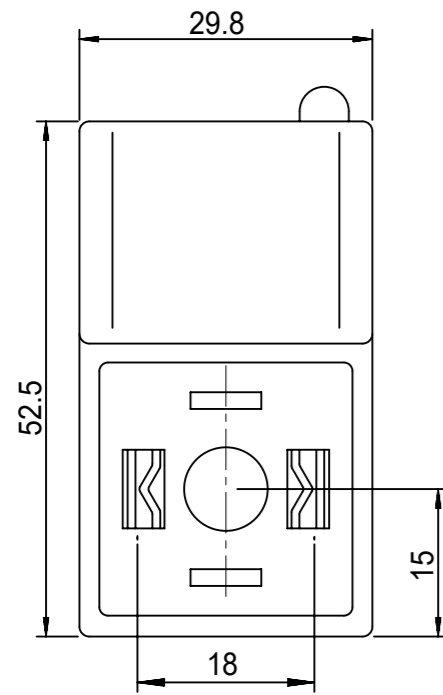
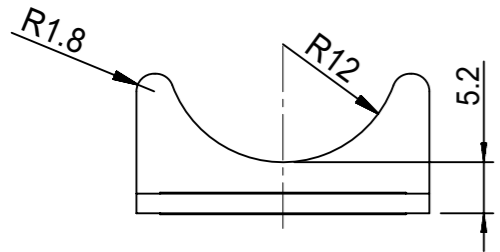


A 0 7 X X X

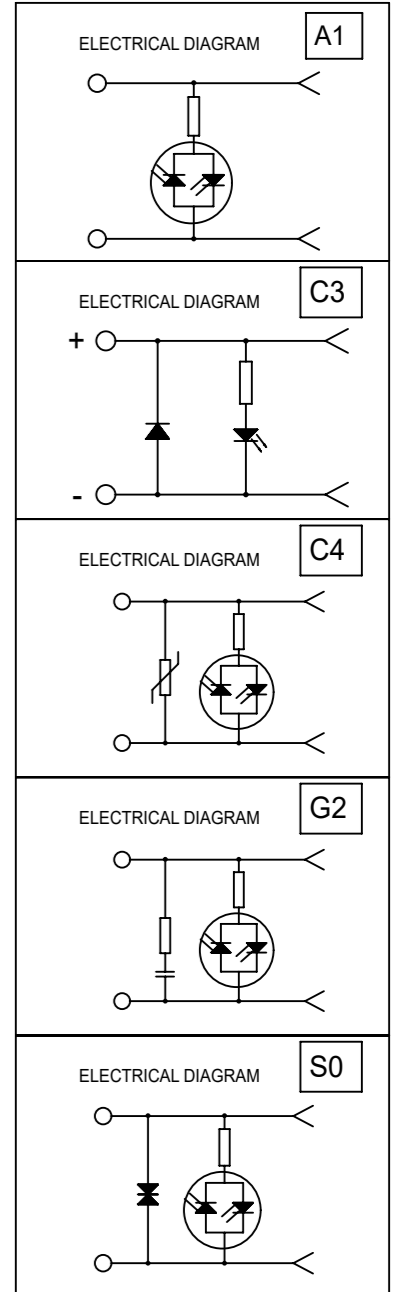
INTERNAL CIRCUIT
WIRING CONFIGURATION

VOLTAGE AND LED COLOUR:

1= 12V	} RED LED	A= 12V	} GREEN LED	G= 12V	} YELLOW LED
2= 24V		B= 24V		H= 24V	
3= 48V		C= 48V		K= 48V	
4= 115V		D= 115V		L= 115V	
5= 230V		E= 230V		M= 230V	



WIRING CONFIGURATION



MOLEX PN	MPM PN
1210010257	A07C42
1210010262	A07C4H

THIS DRAWING CONTAINS INFORMATION THAT IS PROPRIETARY TO MOLEX ELECTRONIC TECHNOLOGIES, LLC AND SHOULD NOT BE USED WITHOUT WRITTEN PERMISSION

DIMENSION UNITS MM	SCALE NTS	CURRENT REV DESC: REMOVED OBSOLETE PART NUMBERS AS PER PCN#511691		molex		
GENERAL TOLERANCES (UNLESS SPECIFIED)		EC NO: 737858				
		DRWN: SANTHN		PRODUCT CUSTOMER DRAWING		
		CHK'D: GGA		DOCUMENT NUMBER		
		APPR: GGA		A07XXX		
		INITIAL REVISION:		DOC TYPE		
		DRWN: MLEVYTSKYY		PSD		
		APPR: MWOLSZCZAK		DOC PART		
		ANGULAR TOL		001		
DRAFT WHERE APPLICABLE MUST REMAIN WITHIN DIMENSIONS		THIRD ANGLE PROJECTION		REVISION		
		DRAWING		A1		
		SERIES		SHEET NUMBER		
		A3-SIZE		1 OF 1		
		121001		MATERIAL NUMBER		
		SEE TABLE		CUSTOMER		
		GENERAL MARKET				

A07 - ADAPTOR FOR DIN A

A 0 7 X X X

INTERNAL CIRCUIT

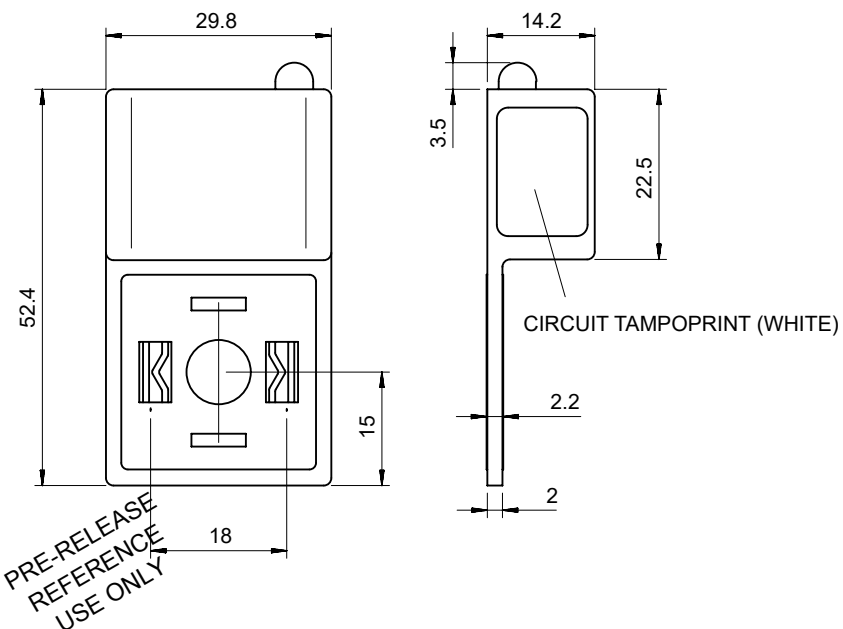
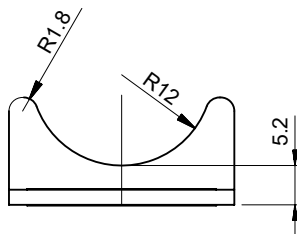
VOLTAGE AND LED COLOUR:

1= 12V	A= 12V	G= 12V
2= 24V	B= 24V	H= 24V
3= 48V	C= 48V	K= 48V
4= 115V	D= 115V	L= 115V
5= 230V	E= 230V	M= 230V

RED LED GREEN LED YELLOW LED

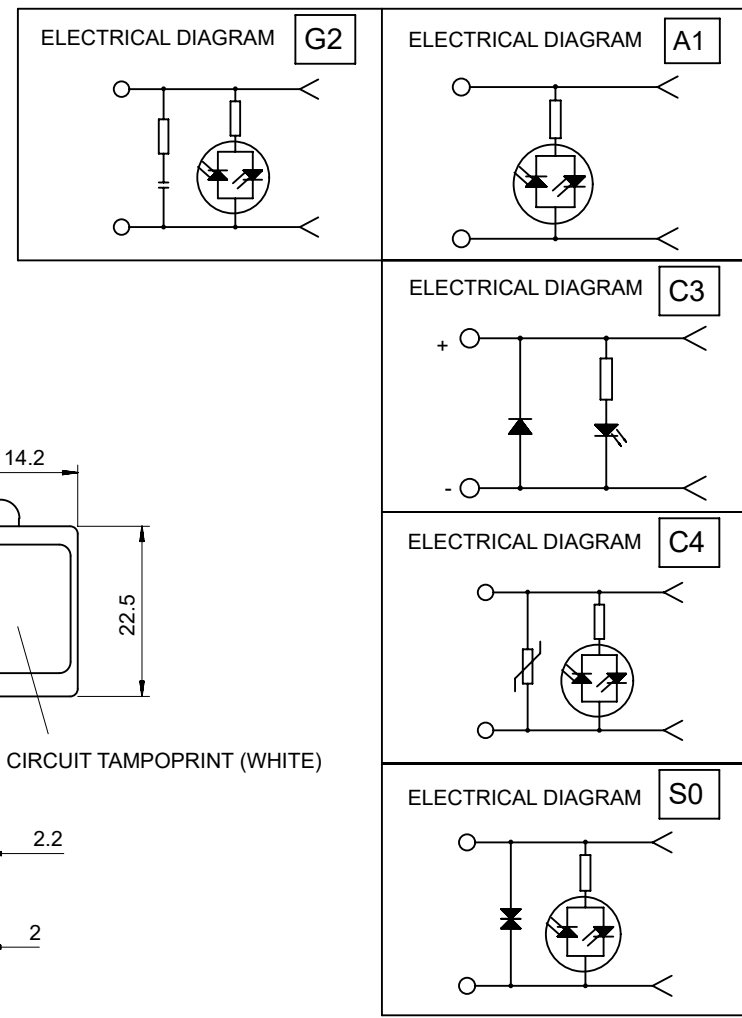
Chart 1

Engineering no.	SAP Part Number	Circuit type	LED Color
A07C42	1210010257	C4 24V	Red
A07C4H	1210010262	C4 24V	Yellow
A07C4L	1210010263	C4 115V	Yellow
A07C4M	1210010264	C4 230V	Yellow



PRE-RELEASE
REFERENCE
USE ONLY

Wiring configuration



THIS DRAWING CONTAINS INFORMATION THAT IS PROPRIETARY TO MOLEX ELECTRONIC TECHNOLOGIES, LLC AND SHOULD NOT BE USED WITHOUT WRITTEN PERMISSION

DIMENSION UNITS	SCALE	CURRENT REV DESC: REMOVED OBSOLETE PART NUMBER AS PER PCN#511691.			
mm	NTS	<p>molex</p> <p>LIGHTS ADAPTORS SERIES A07XXX FOR DIN A</p> <p>PRODUCT CUSTOMER DRAWING</p>			
GENERAL TOLERANCES (UNLESS SPECIFIED)					
	MM				INCH
4 PLACES	±				±
3 PLACES	±				±
2 PLACES	±				±
1 PLACE	±	±	EC NO: 737858		
0 PLACES	±	±	DRWN: SANTHN		
ANGULAR TOL	±	°	CHK'D: GGA		
DRAFT WHERE APPLICABLE MUST REMAIN WITHIN DIMENSIONS		THIRD ANGLE PROJECTION	DRAWING	SERIES	
			A4-SIZE	121001	
			MATERIAL NUMBER	CUSTOMER	
			SEE CHART 1	GENERAL MARKET	
			SHEET NUMBER	1 OF 1	

INITIAL REVISION:
DRWN: JMARSZALEK 2013/02/11
APPR: MIWASIECZKO 2013/02/12

DOCUMENT NUMBER: SD-121001-007
DOC TYPE: PSD
DOC PART: 001
REVISION: A1

DOCUMENT STATUS	P1	RELEASE DATE	2023/02/24	09:13:08
-----------------	----	--------------	------------	----------