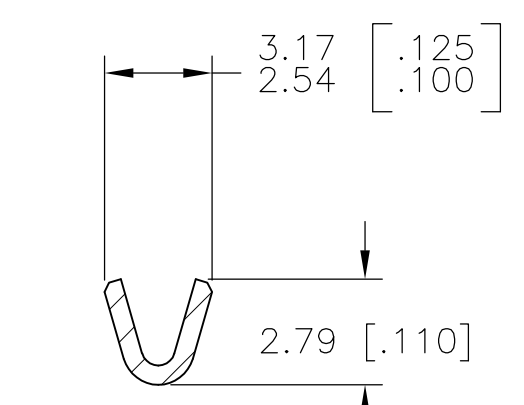
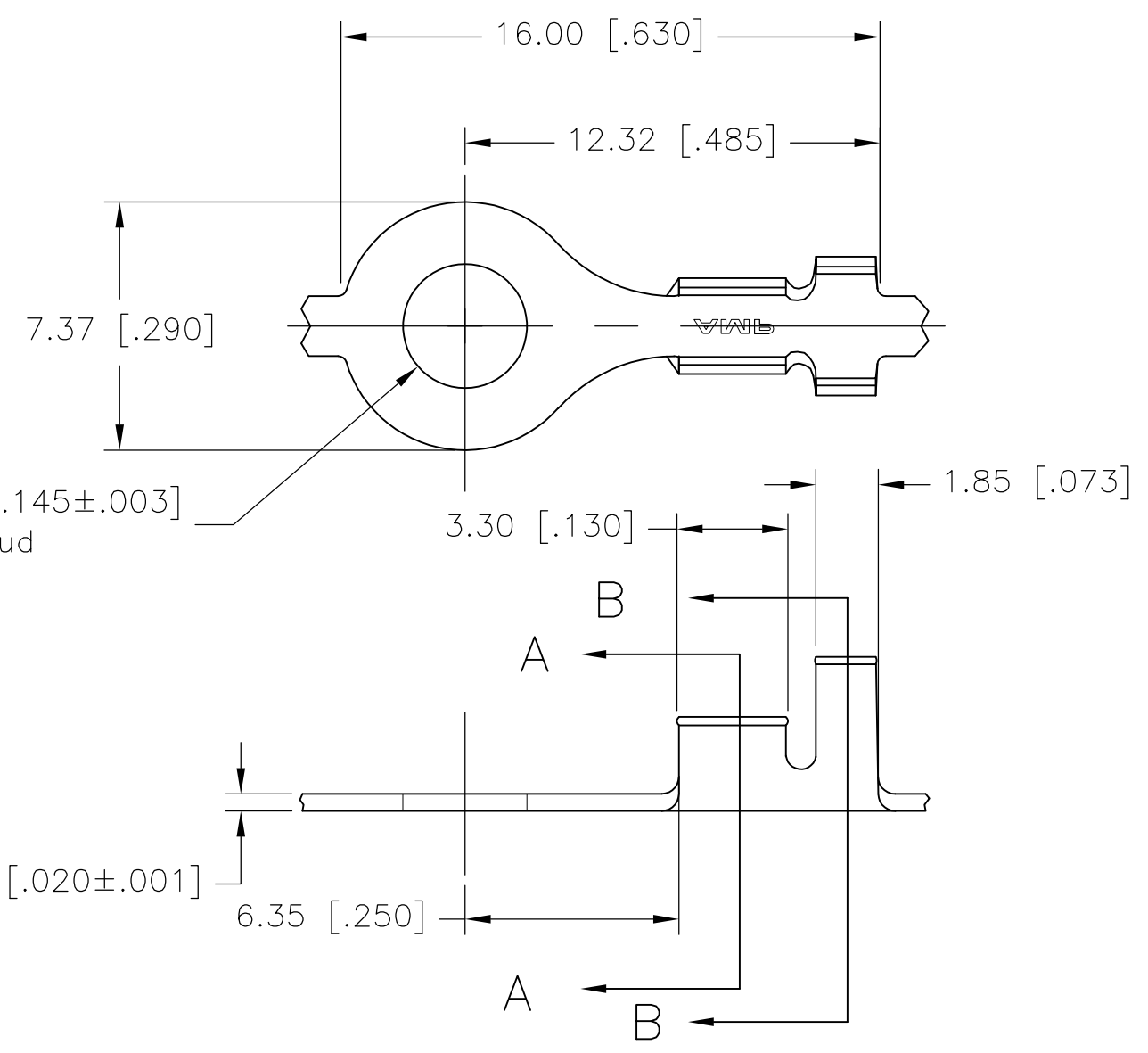


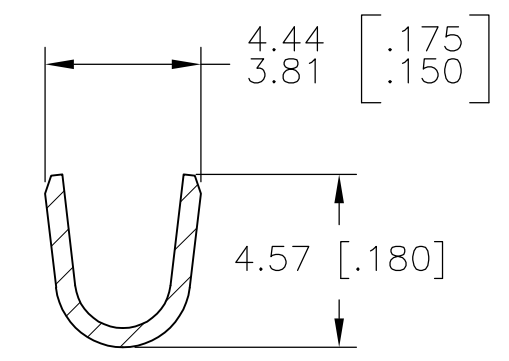
THIS DRAWING IS UNPUBLISHED. RELEASED FOR PUBLICATION
 © COPYRIGHT BY TYCO ELECTRONICS CORPORATION. ALL INTERNATIONAL RIGHTS RESERVED.

LOC	DIST	REVISIONS			
P	LTR	DESCRIPTION	DATE	DWN	APVD
AF	50	J	REVISED PER ECR-08-008189	24NOV08	HMR DD

- CONTINUOUS STRIP ON REELS.
- WIRE SIZE IS [#24-#20] AWG.
- INSULATION RANGE IS 2.03-2.54 [.080-.100] DIA.



SECTION A-A



SECTION B-B

41580
PART NO.

THIS DRAWING IS A CONTROLLED DOCUMENT.		DWN J RUTH 22JUL00	Tyco Electronics Corporation Harrisburg, PA 17105-3608	
DIMENSIONS: mm [INCHES]	TOLERANCES UNLESS OTHERWISE SPECIFIED:	CHK MS FEHER 22JUL00	Tyco Electronics	
	0 PLC ± -	APVD D DECKER 22JUL00	RING TONGUE	
	1 PLC ± -	PRODUCT SPEC	NAME	
	2 PLC ± 0.38[.015]	APPLICATION SPEC	SIZE A3	CAGE CODE 00779
	3 PLC ± -		DRAWING NO C-41580	RESTRICTED TO -
	4 PLC ± -		SCALE 5:1 SHEET 1 OF 1 REV J	
	ANGLES ± -			
MATERIAL 082 BRASS	FINISH TIN	WEIGHT		
		CUSTOMER DRAWING		