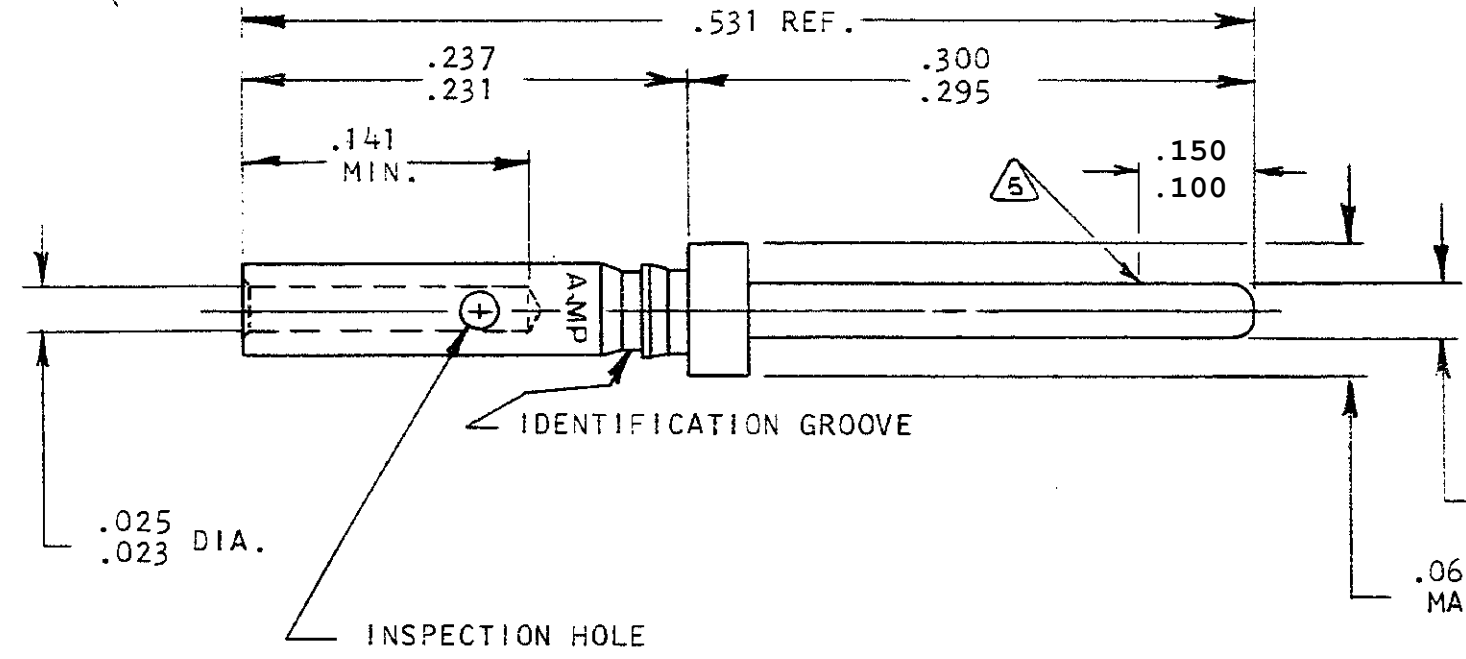


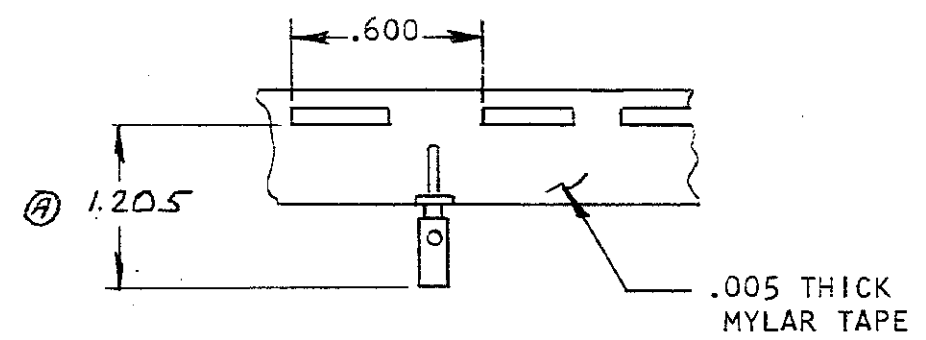
© 1973 BY AMP INCORPORATED. ALL RIGHTS RESERVED. AMP PRODUCTS COVERED BY PATENTS AND/OR PATENTS PENDING.

Unpublished copy not to be reproduced without written permission of AMP Incorporated

REVISIONS				
ZONE	LTR	DESCRIPTION	DATE	APPROVED
	0	RELEASED WAS 5064-45 NO.	10/5/73	JFB
	A	REV PER ECN C-669	9/24/73	JFB
	B	CHANGED MAT'L ECN E-779	12/30/76	JFB
	C	REV. PER ECN J-985	1-28-83	JFB
	D	REVISED PER ECO-16-010129	03AUG16	CT



- 206495 -3 1. AS SHOWN.
2. PLATING : GOLD PER MIL-G-45204 OVER COPPER MIL-C-14550.
- 206495 -4 1. SAME AS -3 EXCEPT:
2. CONTACTS ON TAPE.
- ④ 206495-6 1. SAME AS -3



- 1. WIRE BARREL WILL ACCEPT # 26-28 AWG WIRE.
- 2. CRIMP CONTACT PER TE I.S.408-7516.
- 3. INSERTION/EXTRACTION TOOL TE 91067-1.
- 4. RESTRICTED TO SPACE SYSTEMS LORAL.
- ⑤ POINT OF PLATING THICKNESS MEASUREMENT.

WHEN ORDERING CONTACT ON TAPE, ORDER BY THE TAPE NUMBER PLUS THE PACKAGING CODE AS FOLLOWS:

- 1. FOR USE WITH AMP TAPETRONIC, PNEUMATIC TOOL-
 - A. 1000 PARTS TO A BOX ADD PACKAGING CODE: 1MBOX
- 2. FOR USE WITH 4/8 INDENT STRIPPER CRIMPER-
 - A. 1000 PARTS TO A REEL ADD PACKAGING CODE: 1MREEL
 - B. 5000 PARTS TO A REEL ADD PACKAGING CODE: 5MREEL

UNLESS OTHERWISE SPECIFIED DIMENSIONS ARE IN INCHES TOLERANCES ON: DECIMALS ± # ANGLES ± #	CONTRACT NO.	AMP AMP INCORPORATED HARRISBURG, PENNSYLVANIA	
	DR. <i>Mcneers 10/5/73</i>		
	MATERIAL	NAME	CONTACT, PIN SIZE 22D
	BERYLLIUM COPPER PER ASTM B197	① <i>1.205</i>	
OTHER APPD	SIZE	CODE IDENT NO.	NUMBER
	B	00779	206495
	SCALE 10:1		SHEET 1 OF 1