

Accessories - Capacitors

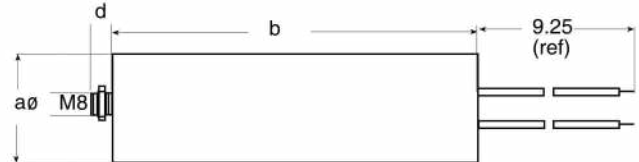
CAPACITORS

| Part Number | Size (mfd) | Temp. Range (°C) | Housing Type | Max. Dim in. (mm) | | |
|--------------|------------|------------------|--------------|-------------------|-------------|-------------|
| | | | | a | b | d |
| 02100-4-7320 | 1 | -25 to +85 | Plastic | 1.1 (28) | 2.2 (55) | 0.5 (12) |
| 99282-4-7320 | 1.5 | -25 to +85 | Alum | 1.1 (28) | 2.2 (55) | 0.5 (12) |
| 99283-4-7320 | 2 | -25 to +85 | Plastic | 1.1 (28) | 2.2 (55) | 0.5 (12) |
| 02103-4-7320 | 2.5 | -25 to +85 | Plastic | 1.1 (28) | 2.2 (55) | 0.5 (12) |
| 68462-4-7320 | 3 | -25 to +85 | Plastic | 1.1 (28) | 2.2 (55) | 0.5 (12) |
| 99284-4-7320 | 4 | -25 to +85 | Plastic | 1.3 (32) | 2.2 (55) | 0.5 (12) |
| 02101-4-7320 | 5 | -25 to +85 | Plastic | 1.4 (36) | 2.3 (58) | 0.5 (12) |
| 99285-4-7320 | 6 | -25 to +85 | Alum | 1.4 (36) | 2.8 (70) | 0.5 (12) |
| 99286-4-7320 | 8 | -25 to +85 | Plastic | 1.6 (40) | 2.6 (67) | 0.5 (12) |
| 99287-4-7320 | 10 | -25 to +85 | Plastic | 1.6 (40) | 2.8 (70) | 0.5 (12) |

(For larger sizes consult factory)

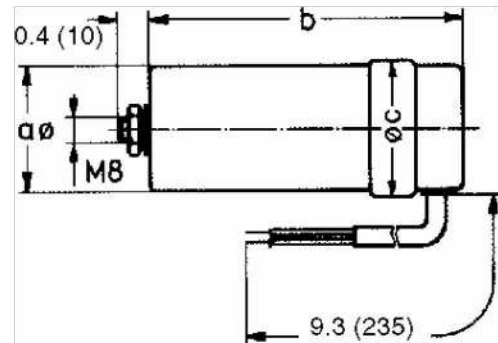
HOW TO USE CAPACITORS FOR MULTI-SPEED BLOWERS

It is possible to make any ebm blower with a PSC motor a multi-speed blower by adding a second or third capacitor on the load line (blue) at or near the value of the motor run capacitor. Actual capacitor value and RPM achieved are dependent on the nature of each application.



METAL CAPACITORS

| Part Number | Size (mfd) | Temp. Range (°C) | Max. Dim in (mm) | | |
|-------------|------------|------------------|------------------|--------------|-------------|
| | | | a | b | c |
| 2151-4-7320 | 1 | -25 to +85 | 1.0 (25) | 2.9 (74) | 1.1 (29) |
| 2155-4-7320 | 1.5 | -25 to +85 | 1.0 (25) | 2.9 (74) | 1.1 (29) |
| 2156-4-7320 | 2 | -25 to +85 | 1.0 (25) | 2.9 (74) | 1.1 (29) |
| 2159-4-7320 | 2.5 | -25 to +85 | 1.2 (30) | 2.8 (71) | 1.3 (34) |
| 2160-4-7320 | 3 | -25 to +85 | 1.2 (30) | 3.9 (99) | 1.3 (34) |
| 2161-4-7320 | 4 | -25 to +85 | 1.2 (30) | 4.1 (104) | 1.3 (34) |
| 2162-4-7320 | 5 | -25 to +85 | 1.4 (35) | 4.1 (104) | 1.5 (39) |
| 2163-4-7320 | 6 | -25 to +85 | 1.4 (35) | 4.0 (101) | 1.5 (38) |
| 2164-4-7320 | 7 | -25 to +85 | 1.6 (40) | 4.0 (101) | 1.7 (43) |
| 2165-4-7320 | 8 | -25 to +85 | 1.4 (35) | 4.0 (101) | 1.5 (38) |
| 2166-4-7320 | 10 | -25 to +85 | 1.4 (35) | 3.9 (99) | 1.5 (39) |
| 2167-4-7320 | 12 | -25 to +85 | 1.6 (40) | 3.9 (99) | 1.7 (43) |
| 2168-4-7320 | 16 | -25 to +75 | 1.8 (46) | 6.3 (160) | 1.9 (48) |
| 2169-4-7320 | 20 | -25 to +75 | 1.8 (46) | 6.3 (160) | 1.9 (48) |
| 2170-4-7320 | 25 | -25 to +75 | 1.8 (46) | 6.3 (160) | 1.9 (48) |



ebmpapst

e-mail: sales@us.ebmpapst.com • TEL: 860-674-1515 • FAX: 860-674-8536

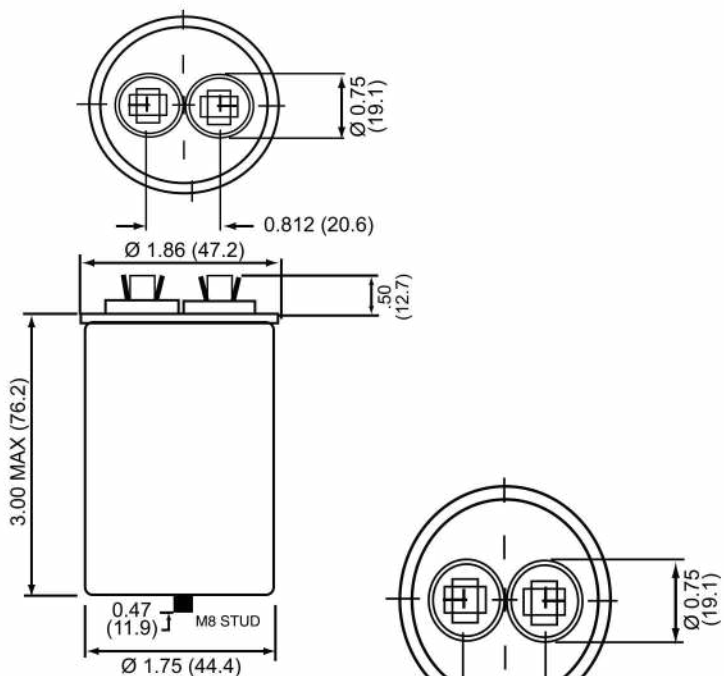
ebm-papst Inc., 100 Hyde Road, Farmington, CT 06034 USA

ebm-papst Inc., 2006 © ebm-papst Inc. reserves the right to change any specifications or data without notice.

Accessories - Metal Capacitors

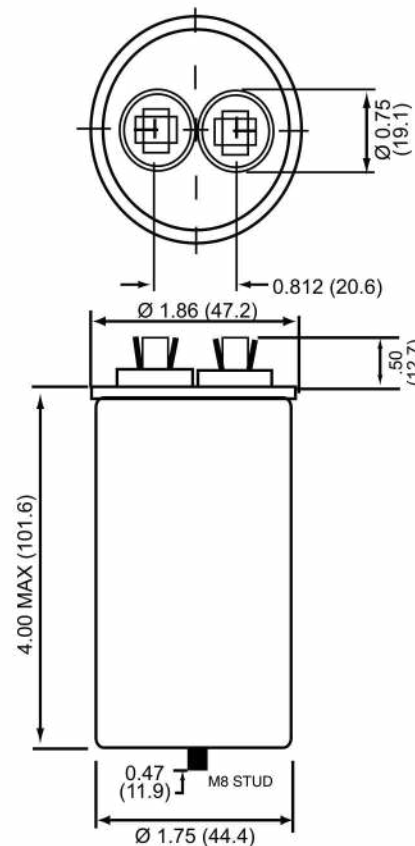
with UL, CSA and VDE Approvals

| Part Number | Size (mfd) | Temp Range °C |
|-------------|------------|---------------|
| 450-20-0017 | 1 | -20 to +85 |
| 450-20-0018 | 1.5 | -20 to +85 |
| 450-20-0019 | 2 | -20 to +85 |
| 450-20-0020 | 2.5 | -20 to +85 |
| 450-20-0021 | 3 | -20 to +85 |
| 450-20-0022 | 4 | -20 to +85 |
| 450-20-0023 | 5 | -20 to +85 |
| 450-20-0024 | 6 | -20 to +85 |
| 450-20-0025 | 7 | -20 to +85 |
| 450-20-0026 | 8 | -20 to +85 |
| 450-20-0027 | 10 | -20 to +85 |
| 450-20-0028 | 12 | -20 to +85 |



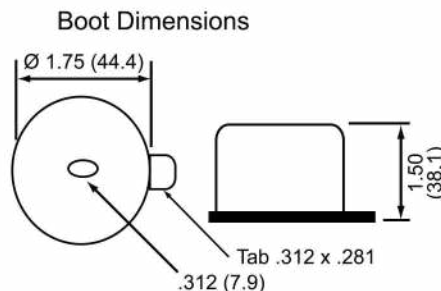
LARGER SIZE (see drawing)

| Part Number | Size (mfd) | Temp Range °C |
|-------------|------------|---------------|
| 450-20-0029 | 16 | -20 to +85 |
| 450-20-0030 | 20 | -20 to +85 |
| 450-20-0031 | 25 | -20 to +85 |
| 450-20-0033 | 30 | -20 to +85 |
| 450-20-0034 | 40 | -20 to +85 |



| | |
|----------------------|-------------|
| Part Number for Boot | 710-00-0042 |
|----------------------|-------------|

* UL File # for capacitors E133000(N)
 CSA File # for capacitors LR96263
 UL File # for Boot SA6016(N)



e-mail: sales@us.ebmpapst.com · TEL: 860-674-1515 · FAX: 860-674-8536
 ebm-papst Inc., 100 Hyde Road, Farmington, CT 06034 USA
 ebm-papst Inc., 2006 © ebm-papst Inc. reserves the right to change any specifications or data without notice