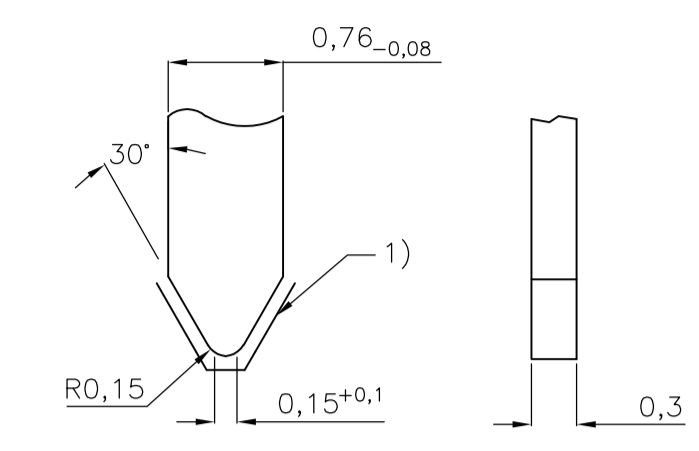
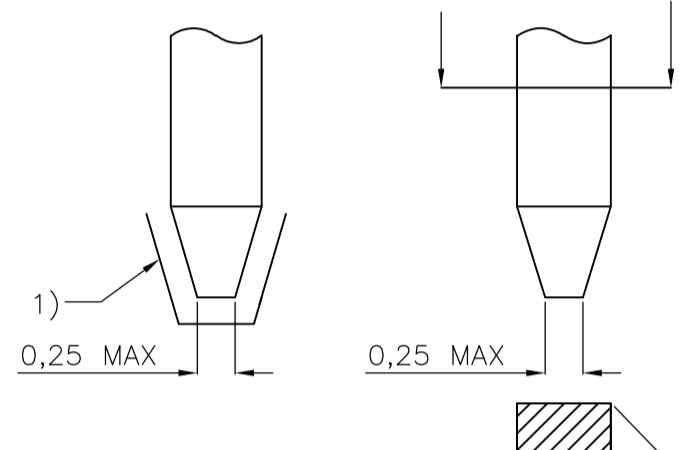


LOC	DIST	REVISIONS			
F	LTR	DESCRIPTION	DATE	DN	APVD
B4	SR10-0294-03		06-01-04	-	KV
B5	ECR-08-020743		19-03-09	AEG	MKO
B6	ECR-10-002555		01JUN10	RK	MKO

SOLDER TERMINATIONS



WIRE WRAP TERMINATIONS AND SOLDER TERMINATION 7.3 mm

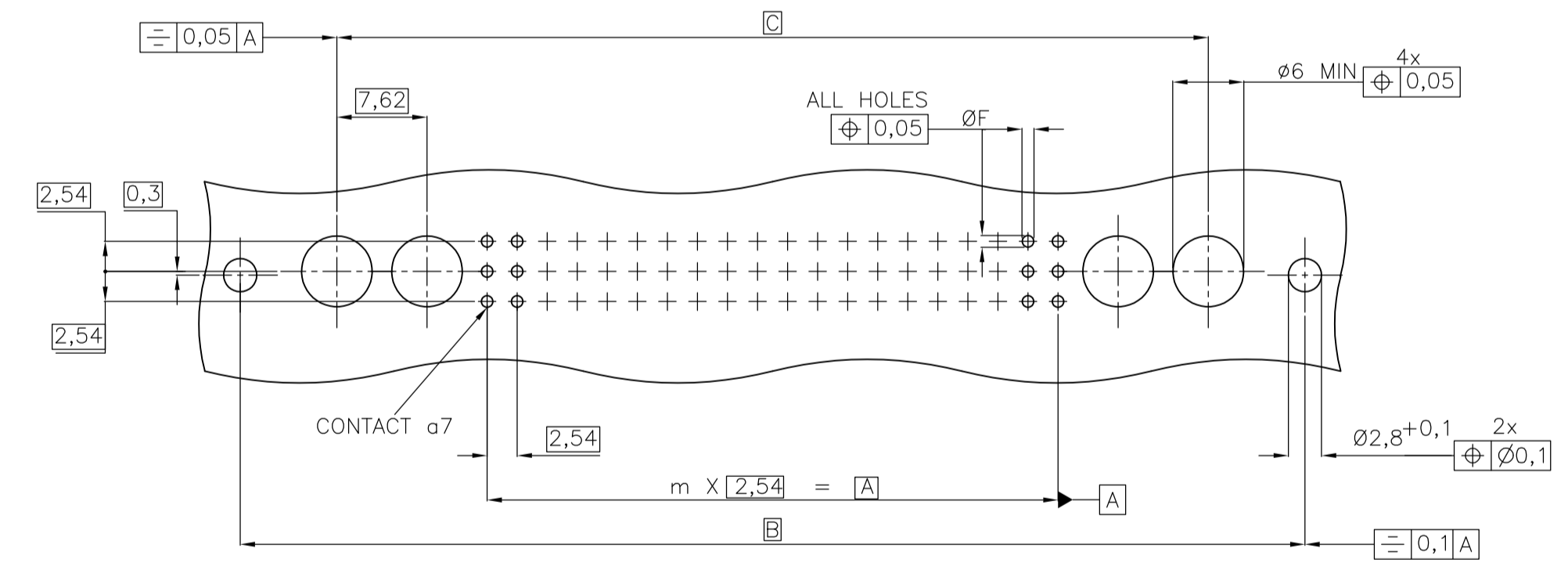


TERMINATION STYLES

TERMINATION STYLE	TERMINATION	L	CODE
SOLDER	SOLDER	2,9 $\pm$ 0,3	01
		3,7 $\pm$ 0,3	05
		4,5 $\pm$ 0,3	02
SOLDER	WIRE WRAP	6,3 $\pm$ 0,3	03
		7,3 $\pm$ 0,3	04
SOLDERING-HOOKS	SOLDERING-HOOKS	13 $\pm$ 0,5	40
		5,5 $\pm$ 0,3	30
SOLDERING-LUGS	SOLDERING-LUGS	10 $\pm$ 0,5	35
		5,5 $\pm$ 0,3	35
SOLDER BENDED OFF	SOLDER BENDED OFF	3-0,4	10
		1,55-0,4	00

TERMINATION WITH GALVANIC SN PLATING

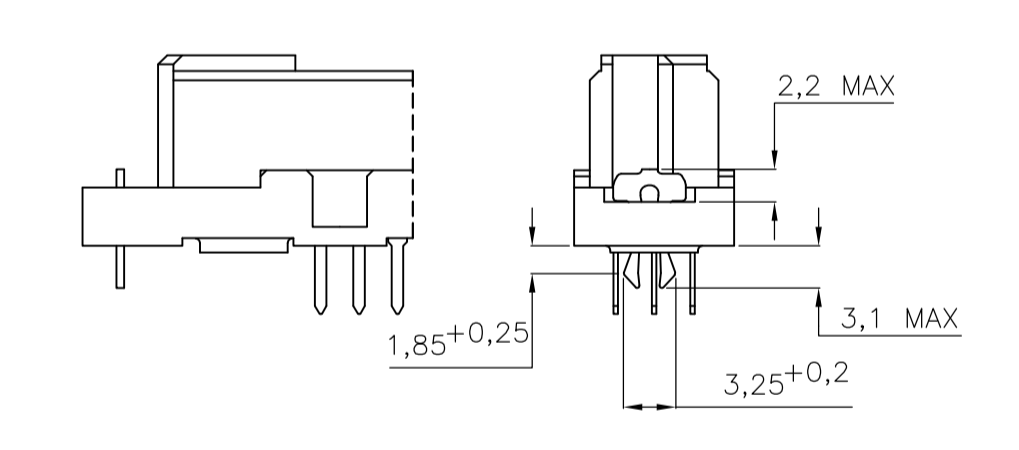
MOUNTING HOLES IN PCB:



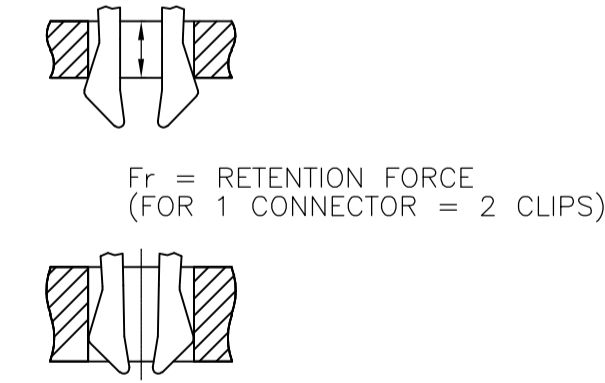
TYPE	m	n	A	B	C	D	E
M+4SK	19	31	48,26	90	73,66	5,63	78,74
M/2+4SK	5	15	7,62	50	33,02	5,95	38,1

F	TERMINATION
1,0 $\pm$ 0,1	SOLDER
1,0 $\pm$ 0,1	WIRE WRAP
0,94 $\pm$ 0,15	PRESS FIT

FEMALE CONNECTOR WITH BOARD LOCKS

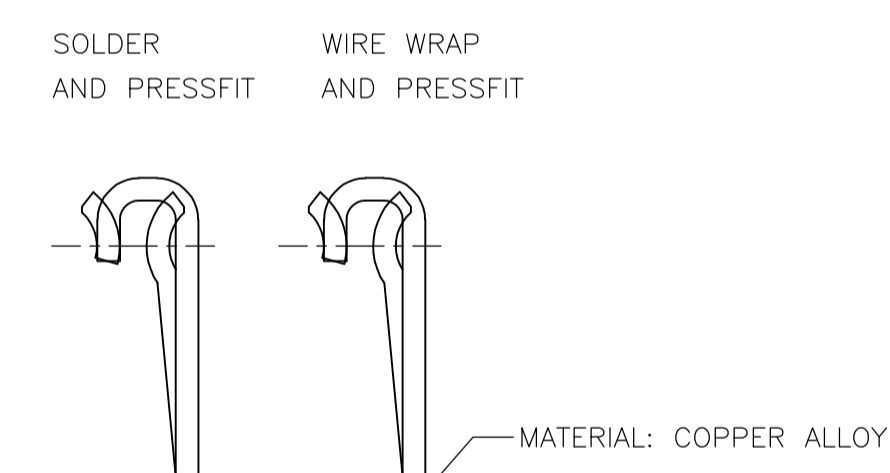


MOUNTED IN PC-BOARDS OF 1,5 TO 1,8 mm  
F<sub>m</sub> < 60 N  
F<sub>r</sub> >= 20 N  
F<sub>r</sub> >= 200 N, WENN SOLDERED-IN



MOUNTED IN PC-BOARDS OVER 1,8 mm  
F<sub>m</sub> < 60 N  
F<sub>r</sub> >= 16 N

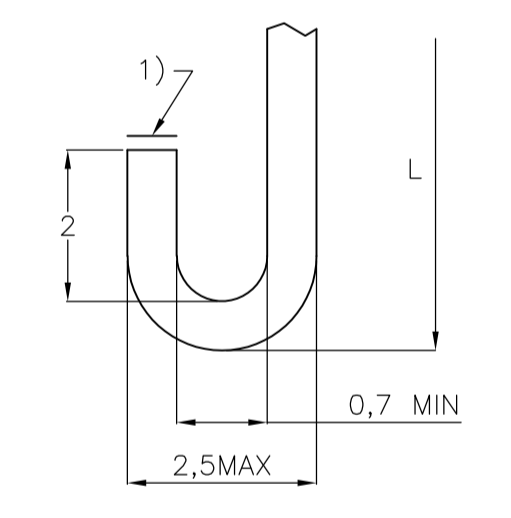
CONTACT: DIMENSIONS, PLATING AND MATERIAL



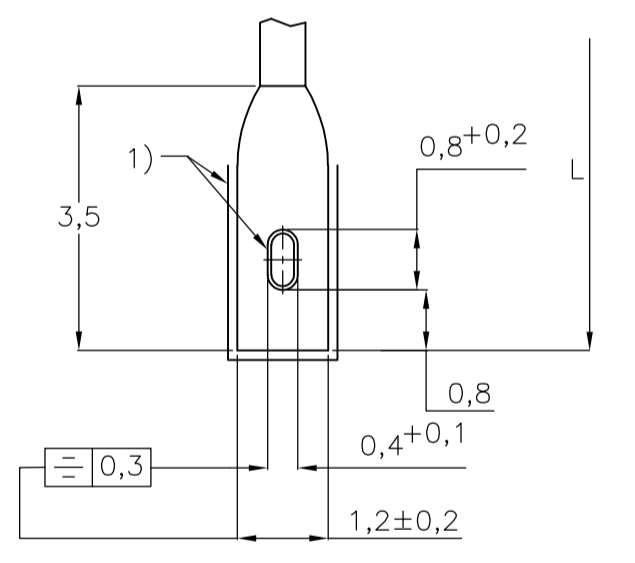
PERFORMANCE LEVEL	PLATING THICKNESS IN REFERENCE AREA	
	NOBLE METALS	CODE
CLASS I	Pd + Au or Au	1
	Au	4
CLASS II	Pd + Au or Au	2
	Au	5
CLASS III	Pd + Au or Au	3

NICKEL-UNDERLAYER  
PROTECTION FILM: HF-GREASE

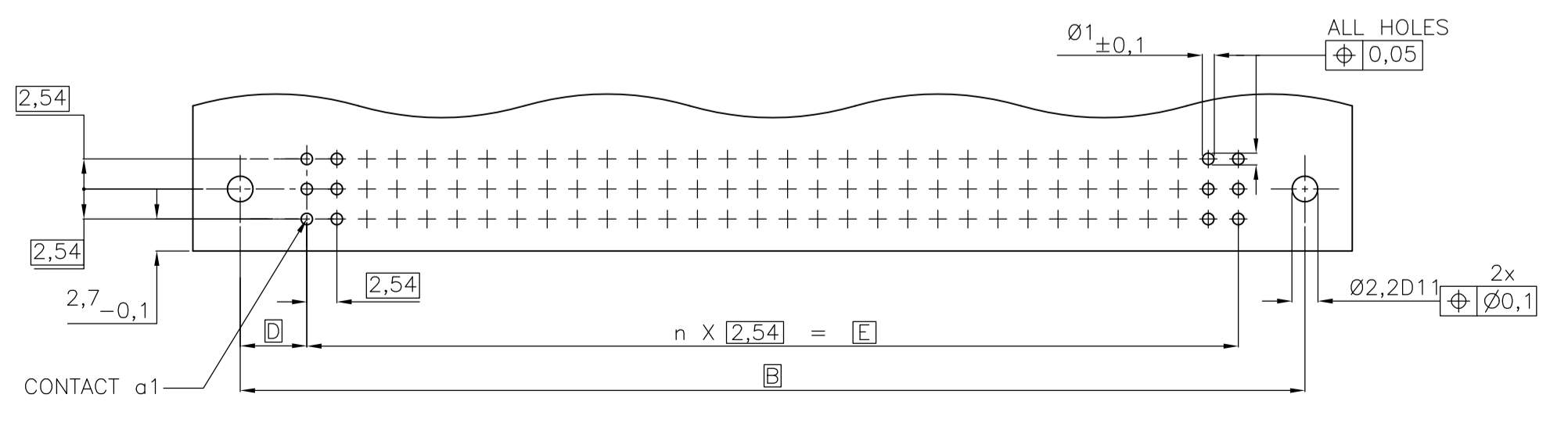
SOLDERING HOOKS



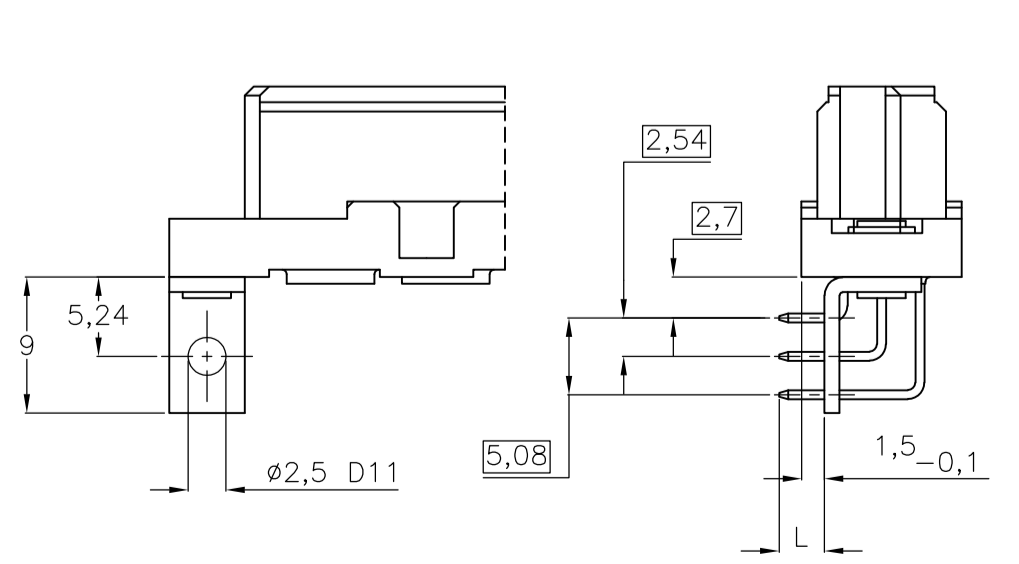
SOLDERING LUGS



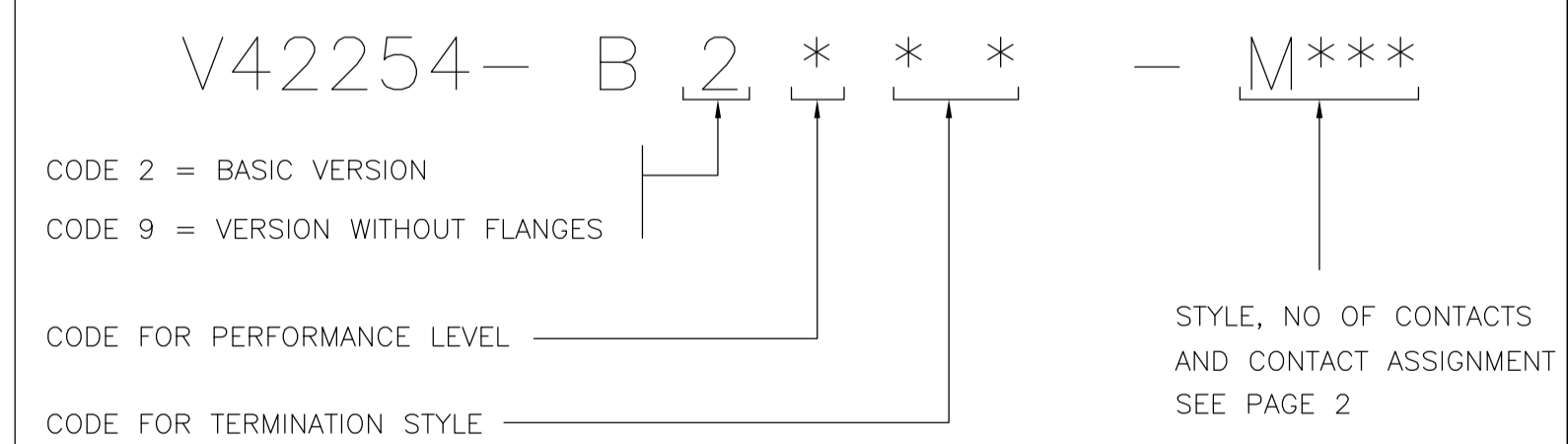
MOUNTING HOLES IN PCB FOR BENDED OFF SOLDER TERMINATIONS



FEMALE CONNECTOR WITH BENDED OFF SOLDER TERMINATIONS



THIS INFORMATION IS CONFIDENTIAL AND PROPRIETARY TO TYCO ELECTRONICS CORPORATION AND ITS WORLDWIDE SUBSIDIARIES AND AFFILIATES. IT MAY NOT BE DISCLOSED TO ANYONE, OTHER THAN TYCO ELECTRONICS CORPORATION, WITHOUT WRITTEN AUTHORIZATION FROM TYCO ELECTRONICS CORPORATION, HARRISBURG, PENNSYLVANIA USA.



1) CUTTING EDGES NOT PLATED

THIS DRAWING IS A CONTROLLED DOCUMENT.		DN: VANBESJEN 180CT89	Tyco Electronics Corporation 's-Hertogenbosch, Nederland
DIMENSIONS: mm		APVD: -	
TOLERANCES UNLESS OTHERWISE SPECIFIED:	0 PLC	$\pm$ -	NAME: RECEPTACLE ASSEMBLY EUROCARD TYPE M+4 SPECIAL CONTACTS AND SHORT VERSIONS
	1 PLC	$\pm$ -	
MATERIAL:	2 PLC	$\pm$ -	SIZE: A1
	3 PLC	$\pm$ -	
FINISH:	4 PLC	$\pm$ -	CAGE CODE: 00779
	ANGLES	$\pm$ -	
CUSTOMER DRAWING		WEIGHT: -	DRAWING NO: 1-1393640-2
SCALE: NTS		SHEET: 1 OF 2	REV: B6

PRODUCT DESCRIPTION CODE	TE PART NUMBER	STYLE & NUMBER OF POSITIONS	TERMINATION POSTS	LOADED ROWS	PERFORMANCE LEVEL	BOARD LOCKS
V42254-B2101-M120	1-1393640-2	M12+4	2,9mm STRAIGHT SOLDER LEADS	EVERY ROW , EVERY PITCH	1	NO OBSOLETE
V42254-B2102-M120	2-1393640-7	M12+4	4,5mm STRAIGHT SOLDER LEADS	EVERY ROW , EVERY PITCH	1	NO OBSOLETE
V42254-B2102-M600	2-1393640-9	M60+4	4,5mm STRAIGHT SOLDER LEADS	EVERY ROW , EVERY PITCH	1	NO OBSOLETE
V42254-B2102-M610	3-1393640-0	M60+4	4,5mm STRAIGHT SOLDER LEADS	EVERY ROW , EVERY PITCH	1	YES OBSOLETE
V42254-B2110-M600	4-1393640-3	M60+4	RIGHT-ANGLE SOLDER LEADS WITH MOUNTING BRACKET	EVERY ROW , EVERY PITCH	1	NO
V42254-B2135-M120	5-1393640-2	M12+4	5,5/10mm SOLDER LUGS	EVERY ROW , EVERY PITCH	1	NO OBSOLETE
V42254-B2140-M120	6-1393640-3	M12+4	13mm STRAIGHT WIRE-WRAP PINS	EVERY ROW , EVERY PITCH	1	NO OBSOLETE
V42254-B2140-M600	6-1393640-6	M60+4	13mm STRAIGHT WIRE-WRAP PINS	EVERY ROW , EVERY PITCH	1	NO OBSOLETE
V42254-B2201-M110	9-1393640-6	M12+4	2,9mm STRAIGHT SOLDER LEADS	EVERY ROW , EVERY PITCH	2	YES OBSOLETE
V42254-B2201-M600	1393641-3	M60+4	2,9mm STRAIGHT SOLDER LEADS	EVERY ROW , EVERY PITCH	2	NO OBSOLETE
V42254-B2201-M603	1393641-4	M60+4	2,9mm STRAIGHT SOLDER LEADS	ROW A+C , EVERY PITCH	2	NO OBSOLETE
V42254-B2202-M120	4-1393641-1	M12+4	4,5mm STRAIGHT SOLDER LEADS	EVERY ROW , EVERY PITCH	2	NO OBSOLETE
V42254-B2202-M600	4-1393641-6	M60+4	4,5mm STRAIGHT SOLDER LEADS	EVERY ROW , EVERY PITCH	2	NO OBSOLETE
V42254-B2202-M603	4-1393641-8	M60+4	4,5mm STRAIGHT SOLDER LEADS	ROW A+C , EVERY PITCH	2	NO OBSOLETE
V42254-B2202-M610	4-1393641-9	M60+4	4,5mm STRAIGHT SOLDER LEADS	EVERY ROW , EVERY PITCH	2	YES SUPERSEDED BY 4-1393641-6
V42254-B2202-M613	5-1393641-0	M60+4	4,5mm STRAIGHT SOLDER LEADS	ROW A+C , EVERY PITCH	2	YES OBSOLETE
V42254-B2203-M600	6-1393641-2	M60+4	6,3mm STRAIGHT SOLDER LEADS	EVERY ROW , EVERY PITCH	2	NO OBSOLETE
V42254-B2203-M603	6-1393641-3	M60+4	6,3mm STRAIGHT SOLDER LEADS	ROW A+C , EVERY PITCH	2	NO OBSOLETE
V42254-B2210-M603	8-1393641-1	M60+4	RIGHT-ANGLE SOLDER LEADS WITH MOUNTING BRACKET	ROW A+C , EVERY PITCH	2	NO OBSOLETE
V42254-B2235-M120	9-1393641-7	M12+4	5,5/10mm SOLDER LUGS	EVERY ROW , EVERY PITCH	2	NO OBSOLETE
V42254-B2235-M600	9-1393641-9	M60+4	5,5/10mm SOLDER LUGS	EVERY ROW , EVERY PITCH	2	NO OBSOLETE
V42254-B2240-M120	2-1393642-2	M12+4	13mm STRAIGHT WIRE-WRAP PINS	EVERY ROW , EVERY PITCH	2	NO OBSOLETE
V42254-B2240-M600	2-1393642-6	M60+4	13mm STRAIGHT WIRE-WRAP PINS	EVERY ROW , EVERY PITCH	2	NO OBSOLETE
V42254-B2240-M603	2-1393642-7	M60+4	13mm STRAIGHT WIRE-WRAP PINS	ROW A+C , EVERY PITCH	2	NO OBSOLETE 1)

1) ACCORDING TO BT 236 LEVEL 2.

ACTIVE PART NUMBERS.  
 CONTACT TYCO ELECTRONICS FOR OTHER CONFIGURATION AVAILABILITY

THIS DRAWING IS A CONTROLLED DOCUMENT.		DIN 180CT89	Tyco Electronics Corporation 's-Hertogenbosch, Nederland	
DIMENSIONS: mm		TOLERANCES UNLESS OTHERWISE SPECIFIED:	NAME	
		0 PLC ± -	RECEPTACLE ASSEMBLY EUROCARD TYPE M+4 SPECIAL CONTACTS AND SHORT VERSIONS	
		1 PLC ± -	SIZE	
		2 PLC ± -	CASE CODE	
		3 PLC ± -	DRAWING NO	
		4 PLC ± -	RESTRICTED TO	
		ANGLES ± -	A1 00779	
MATERIAL		FINISH	1-1393640-2	
			CUSTOMER DRAWING	
			SCALE	SHEET 2 OF 2
			REV	B6