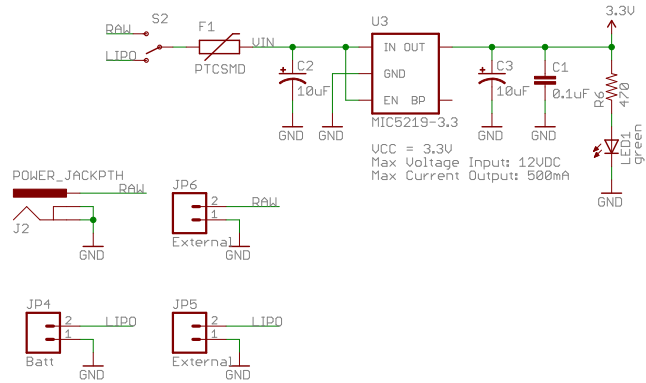
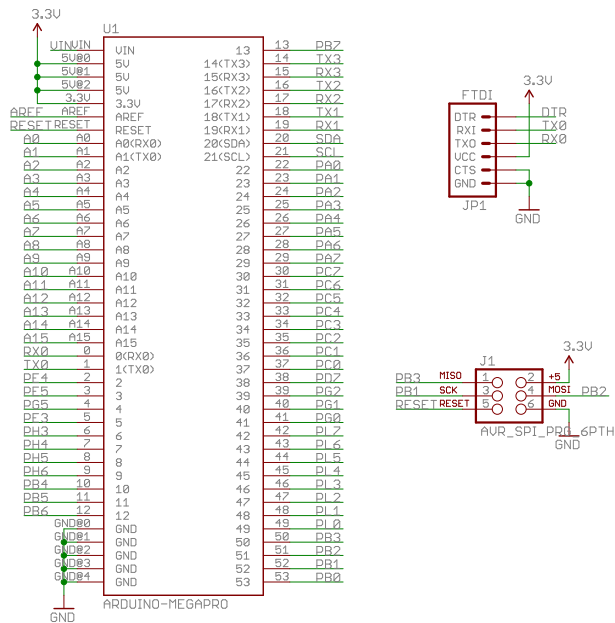


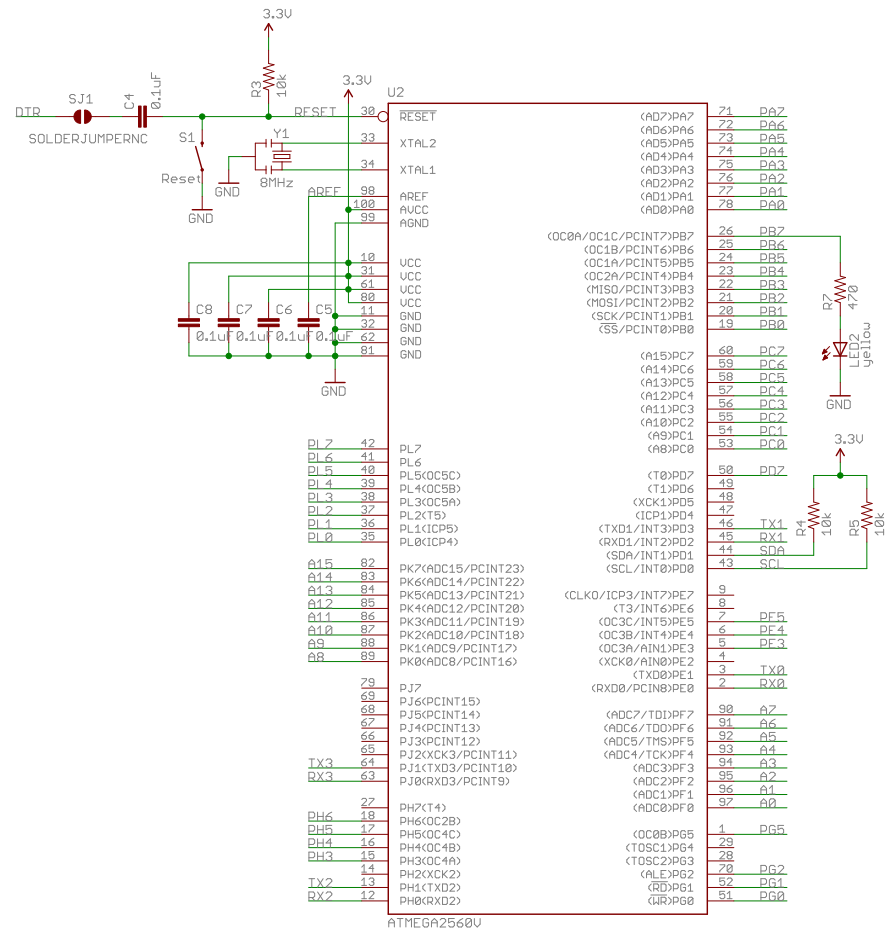
# Power



# Pin Connections



# MCU



SFE	Titlemega_pro-3.3U-v11
SFE	Version: 10/6/2011 3:12:14 PM
	Drawn By: 1/1