

# THE SKY DOWNLIGHT™



The round mini cloud LED panel light ceiling fixtures give an aesthetically pleasing experience by offering a realistically close simulation of the natural sky in indoor spaces. The panel provides for improved focus and concentration with reduced glare and uniform illumination. These luminaires are ideal for corporate environments, educational & health facilities, basements, and give an exceptional performance in general lighting applications for hotels, motels, residential and commercial properties. Moreover, these fixtures produce a high quality of light with superior longevity and energy savings. These ETL-certified panels are ideal for brightening up indoor spaces with soothing shades of blue and white at a very shallow height to replicate the outdoor experience.

## Product Features

- Environmentally friendly: no mercury used
- Operating temperature: -20°C to 50°C
- High Quality and Efficacy SMD2835 chips
- This product is IP20 rated, it remains suitable for indoor spaces
- Glare-free lighting with remarkable light uniformity, no black dots and shadow
- Super slim design with durable construction
- 5 Years Warranty - 120V Operation (50-60Hz)
- SMT technology, ensuring accurate positions for LEDs on FPCB
- Built-in Linear driver

# THE SKY DOWNLIGHT™

SKU #	Model #	Watts	Lumens	CCT	IP	Size	Input Voltage	Certification
153753	BLT -PR12 -24W	24W	Upto 1200	Daylight White	IP20	12"	120VAC, 50-60Hz	ETL



A1



A2



A3



A4

LED Down Light

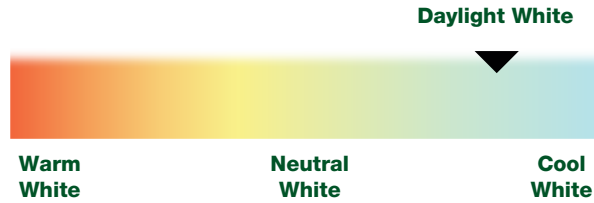


Specifications		
<b>General Performance</b>	CRI	>80
	Frequency	50/60Hz
	PF.	>0.9
	IP Rating	IP 20
	CCT	Daylight White
	Lumens	Up to 1200
	Beam angle	120°
	Ra	>80
	LED Type / Qty	SMD 2835 / 120PCs
<b>Electrical</b>	Input Voltage Range	120Vac
	Power	24W
	Power Efficiency	>0.75
<b>Physical</b>	Operating Temperature	-20°C to 50°C
	Housing	J-box and Can housing
	Size	12"
	N.W.	1.42639lb
<b>Qualifications</b>	Material Usage	RoHS compliant; no mercury
	Warranty	5 Years Standard Warranty

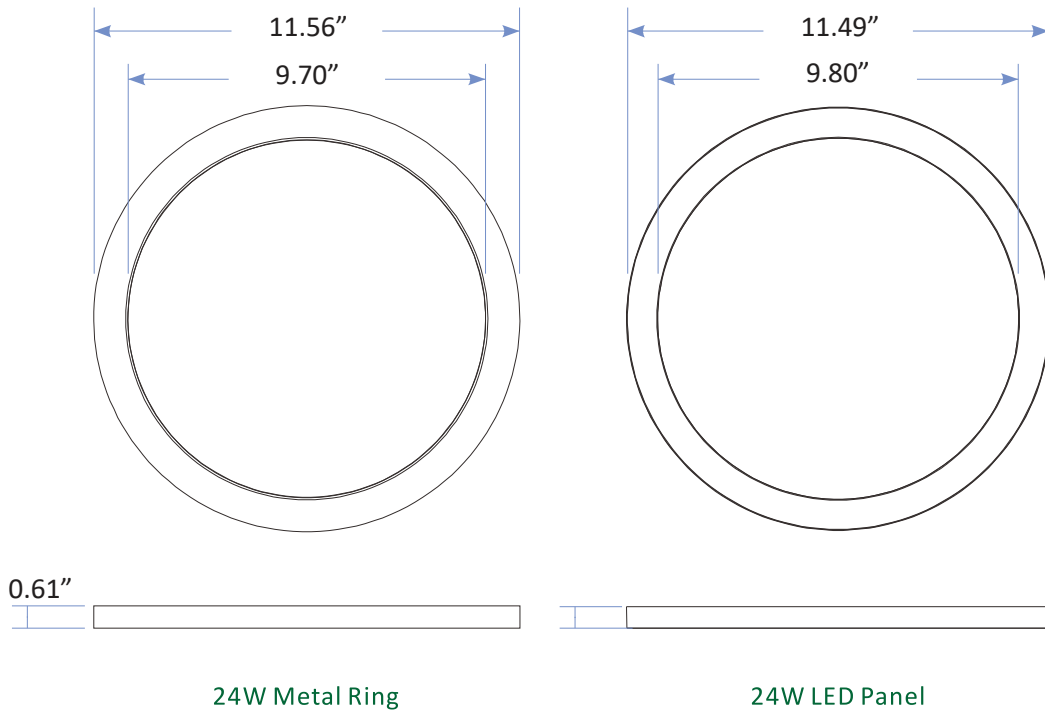
# THE SKY DOWNLIGHT™

LED Down Light

## Correlated Color Temperature (CCT)

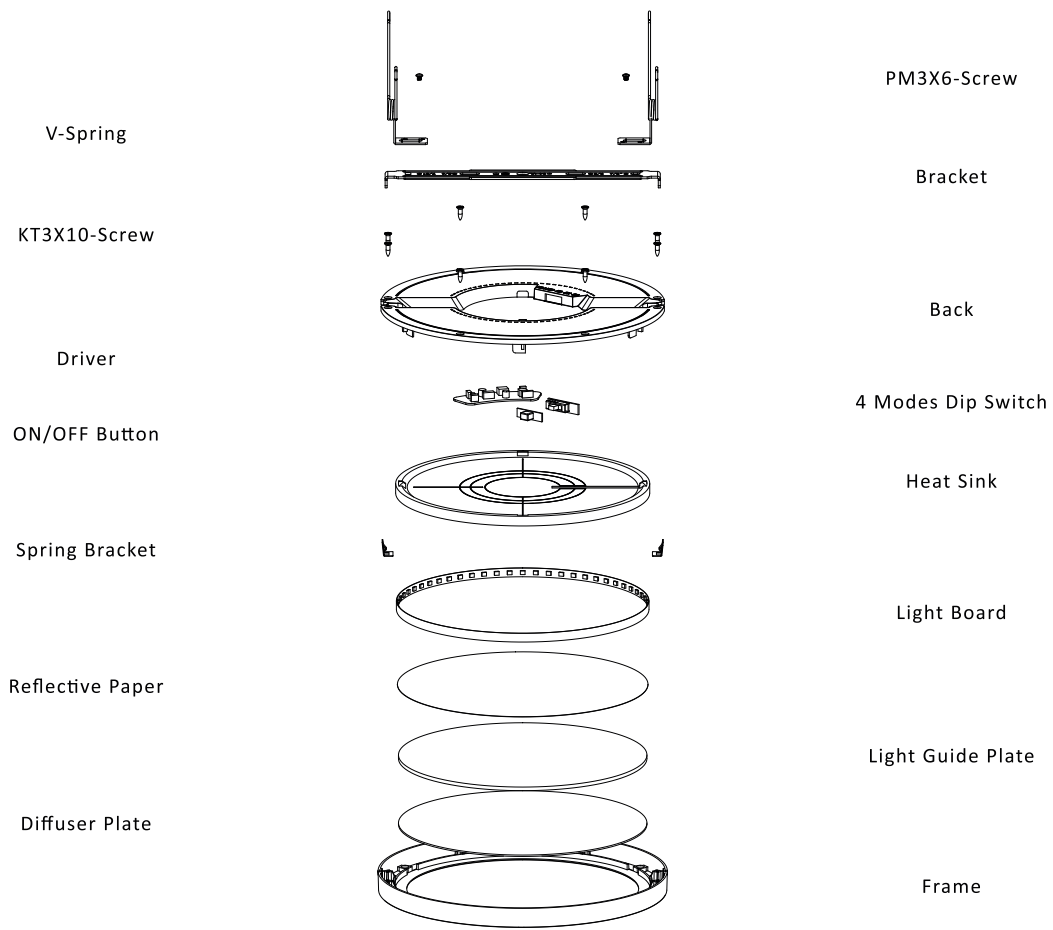


## Dimensions



# THE SKY DOWNLIGHT™

## Explosive View

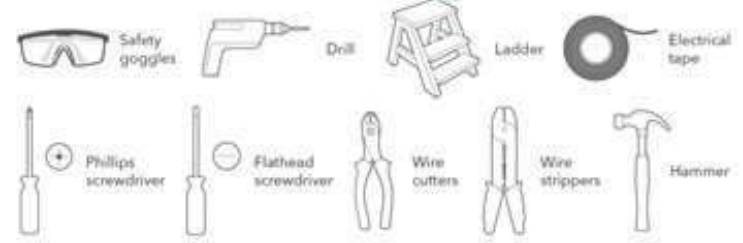


LED Down Light



## Pre-Installation tools required

### Tools Required



Surface Mounted with J-box

Recessed with Can Housing



(866) 786-1117 • [www.BeyondLEDTechnology.com](http://www.BeyondLEDTechnology.com)

Due to continuous product improvement, information in this document is subject to change.

# THE SKY DOWNLIGHT™

## Notes Before Installation

1. Be careful to open the carton, contact us if any damage.
2. This product must be installed in accordance with the applicable installation, code by a person familiar with the construction and operation of the product and the hazards involved.
3. "Caution- the risk of shock" and "disconnect power before servicing" when photoelectric switch provided.
4. Please check whether the voltage marked on the luminaire is consistent with the input voltage to be connected, so as not to damage the LED luminaire.
5. To ensure the lifetime of the product, please do not use it in a place with strong acid mist.
6. Make sure the installation position can withstand 10 times the weight of the luminaire before installation and install it at a flat place without vibration, no swing, no fire hazard.

## Installation Guide

### For your safety, always remember to:

- Turn off the power supply at the fuse or circuit breaker box before you install the fixture.
- Ground the fixture to avoid potential electric shock to ensure reliable starting.
- Double-check all connections to be sure they are tight and correct.
- Wear rubber-soled shoes and work on a sturdy wooden ladder.
- Account for small parts and destroy packing material, as these may be hazardous to children.

This fixture is designed for use in a circuit protected by a fuse or circuit breaker. It is also designed to be installed in accordance with local electrical codes. If you are unsure about your wiring, consult a qualified electrician or local electrical inspector, and check your electrical code

### FCC STATEMENT

This device complies with part 15 of the FCC Rules. Operation is subject to the following two conditions:

(1) This device may not cause harmful interference, and (2) this device must accept any interference received, including interference that may cause undesired operation. Note: This equipment has been tested and found to comply with the limits for a Class B digital device, according to part 15 of the FCC Rules. These limits are designed to provide reasonable protection against harmful interference in a residential installation. This equipment generates, uses and can radiate radio frequency energy and, if not installed and used in accordance with the instructions, may cause harmful interference to radio communications. However, there is no guarantee that interference will not occur in a particular installation. If this equipment does cause harmful interference to radio or television reception, which can be determined by turning the equipment off and on, the user is encouraged to try to correct the interference by one or more of the following measures: Reorient or relocate the receiving antenna. Increase the separation between the equipment and receiver. Connect the equipment into an outlet on a circuit different from that to which the receiver is connected. Consult the dealer or an experienced radio/ TV technician for help.



**WARNING:** RISK OF SHOCK. House electric current can cause painful shock or serious injury unless handled properly.



**CAUTION:** Turn off the main power at the circuit breaker before installing the fixture, in order to prevent possible shock.

**NOTICE:** All electrical connections must be in accordance with local and National Electrical Code (N.E.C.) standards. If you are unfamiliar with proper electrical wiring connections obtain the services of a qualified electrician.

Remove the fixture and the mounting package from the box and make sure that no parts are missing by referencing the illustrations on the installation instructions.



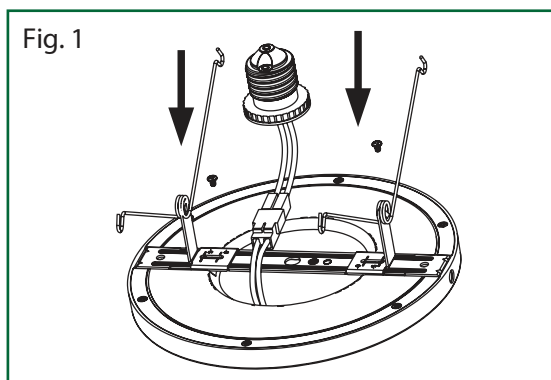
**WARNING: Risk of fire. Use only on 120-volt 60Hz** Suitable for damp locations. Before installing your lighting fixture, thoroughly review the enclosed installation manual. If you do not have sufficient electrical wiring experience, please refer to a do-it-yourself wiring handbook or have your fixture installed by a qualified licensed electrician. All electrical connections must be in accordance with Local and National Electrical Code (NEC) Standards. The reliable operating temperature is 0°F-120°F. If flickering occurs in low-level dimming, increase light level. Compatible with most dimmers including Leviton 6681-1W, Lutron S-600P, and Lutron DVCL-153. Dimmable to 10% with most dimmers.

# THE SKY DOWNLIGHT™

## 5" - 6" Recessed Can Installation

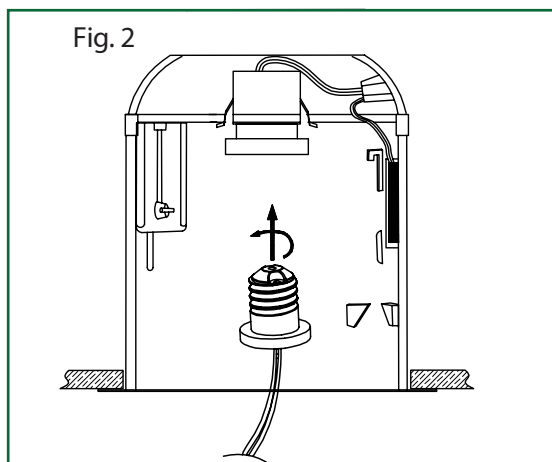
### 1 Turning Off the Power

- Turn the power OFF at the switch and fuse box or the circuit breaker.
- Remove the existing trim installed in the recessed housing.
- Fix bracket & E26 base to the light as per diagram.



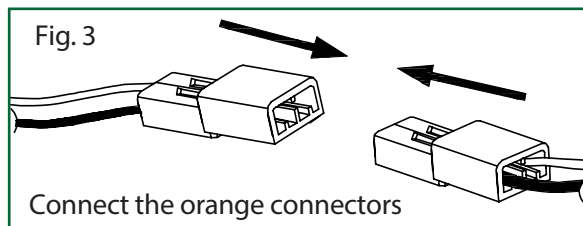
### 2 Installing the adapter

- Install the E26 adapter (DD) into the socket (See Fig. 2).



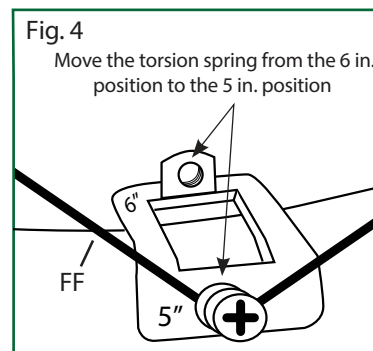
### 3 Connecting the terminals

- Connect the two terminals together (See Fig. 3).



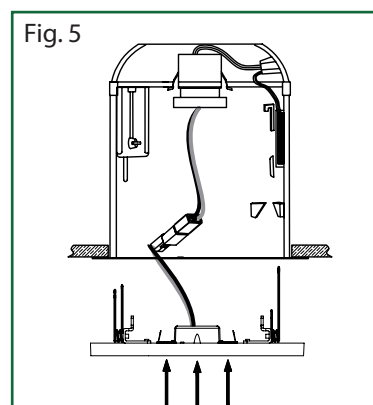
### 4 Adjusting the torsion springs

- Insert the torsion springs into the fixture housing brackets
- When installing trim into a 5 in. recessed housing, the torsion spring (FF) must be moved. Unscrew the torsion spring (FF) from the 6 in. positions and move it to the 5 in. positions (See Fig. 4).



### 5 Installing the fixture

- Gently push the fixture into the recessed housing (See Fig. 5)



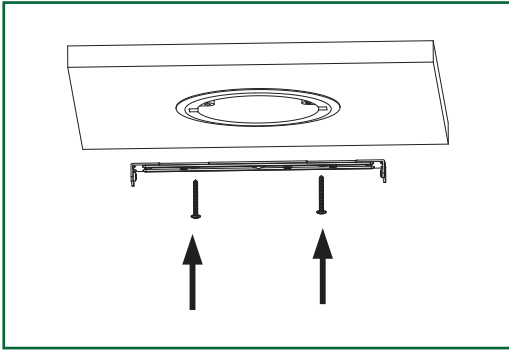
# THE SKY DOWNLIGHT™

## J-Box Installation

LED Down Light

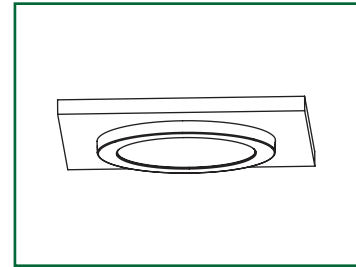
### 1 Turning Off the Power

- Turn the power OFF at the switch and fuse box or the circuit breaker.
- Remove the existing trim installed in the recessed housing.
- Fix the bracket on the terminal box.



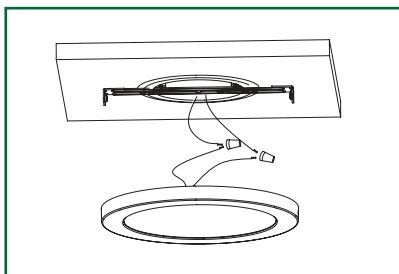
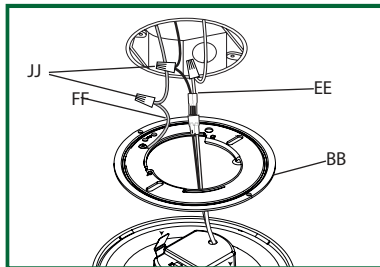
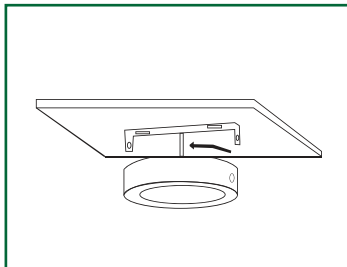
### 3 Installing the fixture

- Secure the fi-xture to the mounting bracket by pressing the fixture into the mounting bracket until the clips on the fi-xture engage together. Make sure the fi-xture is fi-rmly locked into place.



### 2 Identifying the wires & Installing the mounting bracket

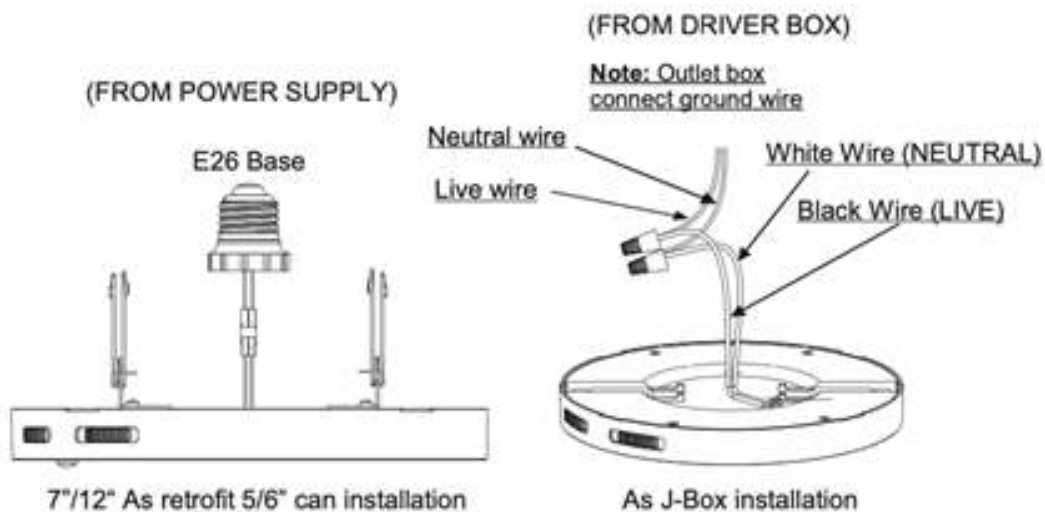
- Fixing bracket on the terminal box
- Identify the wiring: (black - line voltage, white - neutral and green - ground)
- Use the wire nuts (JJ) to connect the stripped wires with a male connector (EE) to the two wires coming from the J-box (black-line voltage, white-neutral).
- Determine if the ground wire is inside the J-box. If not, then secure the ground wire (FF) provided to the mounting bracket (BB)





# THE SKY DOWNLIGHT™

## General Wiring Diagram



LED Down Light



## Photometric

### Trouble Shooting

PROBLEM	POSSIBLE CAUSE	SOLUTION
Light will not come on	A. Light switch is turned off. B. Fuse is blown or circuit breaker is turned off. C. Incorrect circuit wiring.	A. Turn light switch on. B. Replace fuse or turn circuit breaker on. C. Verify that fixture is wired properly.



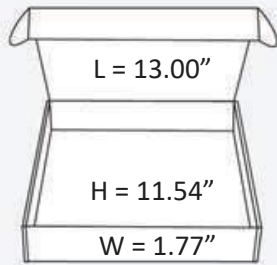
# THE SKY DOWNLIGHT™

## Packaging

### Inner Box Dimensions

**Package List:**

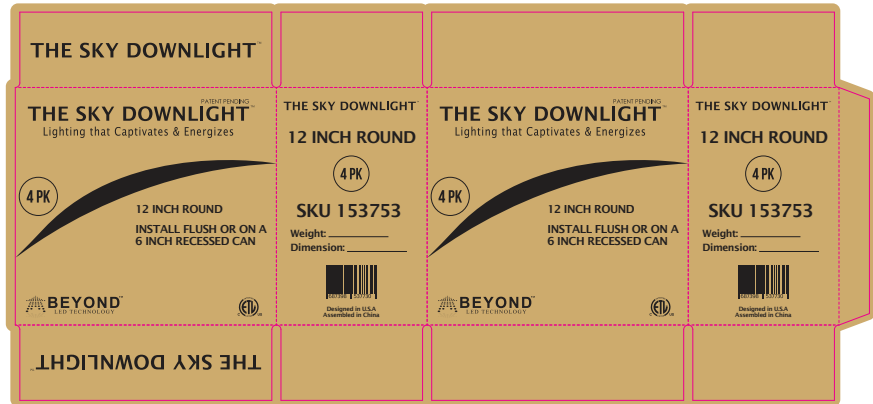
- 1x LED Panel
- 1x Bracket
- 1x Anti-drop Thread
- 2x Screws



### Carton Dimensions

**Carton Includes:**

- 4x LED Panels (4 Unique Patterns)
- 4x Brackets
- 4x Anti-drop Threads
- 8x Screws



SKU	Items Description	Qty/Ctn (PCS)	Inner Box Size (inches)			Carton Size (inches)		
			L	W	H	L	W	H
153753	The Sky Downlight	4	13.00	1.77	11.54	13.98	8.27	12.76

LED Down Light



# THE SKY DOWNLIGHT™

## Shipping and Warehousing

1. Please do not shake it too much during transportation, handle carefully when unloading.
2. Recommended to be stored in a warehouse of -10~ +60 C and keep the warehouse dry

## Caution

1. WARNING: Risk of fire. Use AC 120V 50/60Hz circuits.
2. Suitable for damp locations. Before installing your lighting fixture, thoroughly review the enclosed installation manual. If you do not have sufficient electrical wiring experience, please refer to a do-it-yourself wiring handbook or have your fixture installed by a qualified licensed electrician. All electrical connections must be in an accordance with local and National Electrical Code (NEC) standards. Reliable operating temperature is -50 to +40 degrees Celsius (-4 to +104-de gree Fahrenheit)
3. Please obey fore preventions regulations, do not cover the fixture with any heat-insulating materials.
4. Do not change the LED light source or driver inside under any circumstance.

**Warranty:**  
5 Years Warranty



This product is for indoor use only



For use with dimmers

## Applications



## Warranty

### 5 Years Warranty

This product is in warranty if any defect occurs Beyondled technology will take care of it free of cost for up to 5 Years from the date of purchase. If it fails to do so, please contact Beyondled technology at sales@beyondledtechnology.com or call 1(866) 786-1117 for instructions on replacement. Do not return the product to the store.