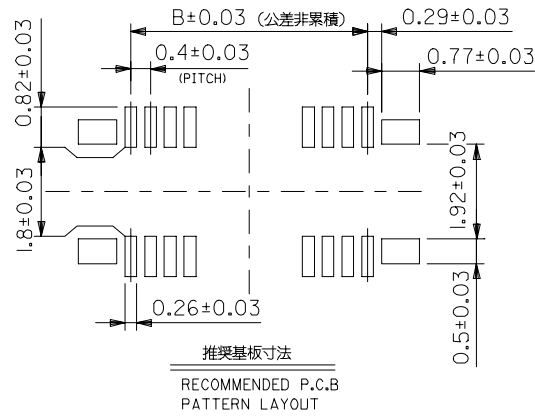
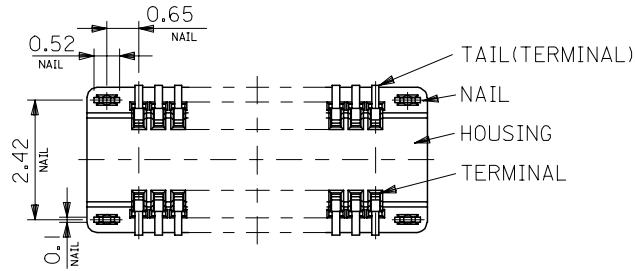
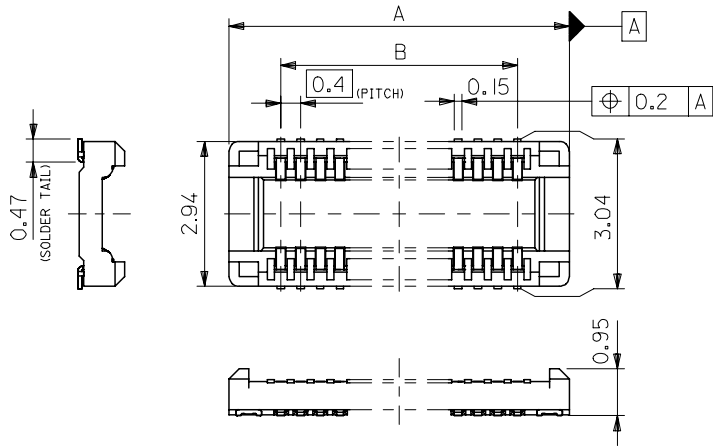


**注記**  
**NOTES**

1. 材質 MATERIAL  
 ハウジング : 液晶ポリマー-UL94V-0 色 : 黒  
 HOUSING : LIQUID CRYSTAL POLYMER [LCP]  
 UL94V-0, COLOR : BLACK  
 ターミナル : 銅合金  
 TERMINAL : COPPER ALLOY  
 ネール : 銅合金  
 NAIL : COPPER ALLOY
2. メッキ仕様 PLATING  
 接点部 : 金メッキ 0.1µm  
 CONTACT AREA : GOLD PLATING 0.1µm  
 半田付け部 : 金メッキ 0.1µm  
 SOLDER TAIL AREA : GOLD PLATING 0.1µm  
 下地メッキ : ニッケルメッキ 1.0µm  
 UNDER PLATING : NICKEL PLATING 1.0µm  
 ネール : 錫メッキ 1.0µmMIN.  
 NAIL : TIN PLATING 1.0µmMIN.  
 下地メッキ : ニッケルメッキ 1.0µmMIN.  
 UNDER PLATING : NICKEL PLATING 1.0µmMIN.
3. テール及びネールの平坦度は0.1以下  
 TAIL AND NAIL COPLANARITY : 0.1 MAX.
4. 嵌合相手 : 500024 シリーズ。  
 MATE WITH : 500024 SERIES.
5. 本製品は500027-\*\*\*49の黒ハウジングタイプである。  
 THIS PRODUCT IS BLACK HOUSING TYPE OF 500027-\*\*\*49.



17.7	15.6	500027-8099	80
14.5	12.4	500027-6499	64
11.7	9.6	500027-5099	50
6.5	4.4	500027-2499	24
4.9	2.8	500027-1699	16
A	B	MATERIAL No.	CIRCUIT

500027-\*\*\*99  
MODEL NO.

RELEASED EC NO: J2005-2583 DRAWN: K.SUZUKI 2005/03/09 CHK'D: N.UKITA 2005/03/10 APPR: N.UKITA 2005/03/18	GENERAL TOLERANCES (UNLESS SPECIFIED)		DIMENSION STYLE MM ONLY		SCALE ---	DESIGN UNITS METRIC	THIRD ANGLE PROJECTION	
	10 UNDER	±0.2	DRAWN BY K.SUZUKI	DATE 2005/03/09	TITLE 0.4MM B/B CONN. H=0.95 PLUG HS'G ASS'Y -LEAD FREE-			
	10 OVER 30 UNDER	±0.25	CHECKED BY N.UKITA	DATE 2005/03/09	MOLEX INCORPORATED			
	30 OVER	±0.3	APPROVED BY N.UKITA	DATE 2005/03/09	DOCUMENT NO. SD-500027-031			
0	DESCRIPTION	ANGULAR ±3 °	DRAFT WHERE APPLICABLE MUST REMAIN WITHIN DIMENSIONS		MATERIAL NO. SEE CHART		DOCUMENT NO. SD-500027-031	SHEET NO. 1 OF 2
THIS DRAWING CONTAINS INFORMATION THAT IS PROPRIETARY TO MOLEX INCORPORATED AND SHOULD NOT BE USED WITHOUT WRITTEN PERMISSION								

10 9 8 7 6 5 4 3 2 1

F

F

E

E

D

D

C

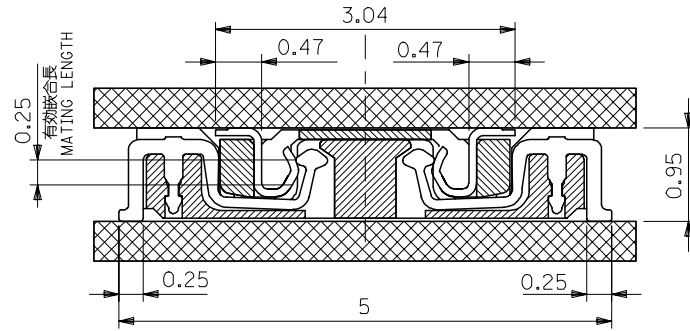
C

B

B

A

A



嵌合断面図 (参考)  
MATED DRAWING

RELEASED EC NO: J2005-2583 DRWNG: SUZUKI 2005/03/09 CHKD: NUKITA 2005/03/10 APPR: NUKITA 2005/03/18	GENERAL TOLERANCES (UNLESS SPECIFIED)		DIMENSION STYLE MM ONLY		SCALE ---	DESIGN UNITS METRIC	THIRD ANGLE PROJECTION		
	10 UNDER	±0.2	DRAWN BY K. SUZUKI		DATE 2005/03/03		TITLE 0.4MM B/B CONN. H=0.95 PLUG HS'G ASS'Y -LEAD FREE-		
	10 OVER 30 UNDER	±0.25	CHECKED BY N. UKITA		DATE 2005/03/03				
	30 OVER	±0.3	APPROVED BY N. UKITA		DATE 2005/03/03		MOLEX INCORPORATED		
	ANGULAR	±3 °	MATERIAL NO. SEE CHART		DOCUMENT NO. SD-500027-031				
0	DRAFT WHERE APPLICABLE MUST REMAIN WITHIN DIMENSIONS		SIZE A3		THIS DRAWING CONTAINS INFORMATION THAT IS PROPRIETARY TO MOLEX INCORPORATED AND SHOULD NOT BE USED WITHOUT WRITTEN PERMISSION				

9

8

7

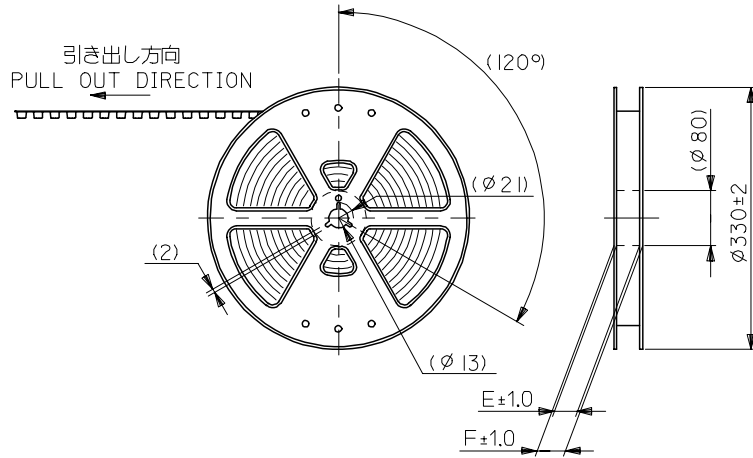
6

5

4

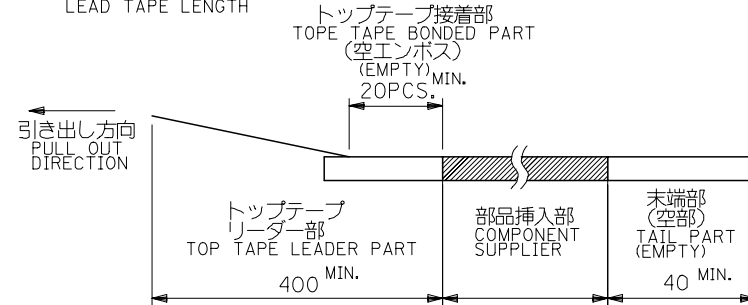
3

2



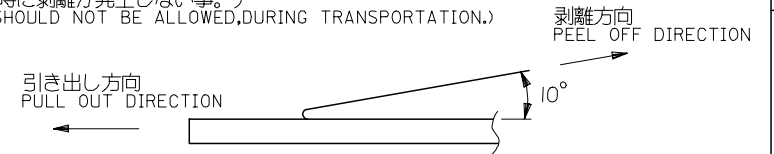
注)  
NOTES

- 製品番号 500027-\*\*99 詳細寸法については、製品単体図面を参照下さい。  
IN THE PACKAGE PART NUMBER 500027-\*\*99 DETAILED DIMENSIONS, SEE SALES DRAWING FOR CONNECTOR.
- 梱包数量：2000個/リール  
NUMBER OF CONNECTORS : 2000 PCS/REEL.
- リードテープ長さ  
LEAD TAPE LENGTH



- トップテープの剥離強度：(剥離方向は下図参照)  
PEELING OFF FORCE OF TOP TAPE (PELLING DIRECTION AS SHOWN IN FOLLOWING FIGURE.)  
0.1~1.3N (10~130gf)

尚、本規格値は、出荷時に適用。  
THIS REQUIREMENT SHOULD BE APPLIED AT SHIPMENT.  
(但し、輸送時に剥離が発生しない事。)  
(PEEL OFF SHOULD NOT BE ALLOWED, DURING TRANSPORTATION.)



- 材料  
MATERIAL  
キャリアテープ：ポリプロピレン (PP)  
CARRIER TAPE: POLYPROPYLENE (PP)  
トップテープ：PET, PE, PEF  
TOP TAPE: PET, PE, PEF  
リール：ポリスチレン  
REEL : POLYSTYRENE
- 本製品は500027-\*\*41の黒ハウジングタイプである。  
THIS PRODUCT IS BLACK HOUSING TYPE OF 500027-\*\*41.

RELEASED		GENERAL TOLERANCES (UNLESS SPECIFIED)		DIMENSION STYLE		SCALE		500027-**91		MODEL NO.	
EC NO: J2005-2583		10 UNDER ±0.2		MM ONLY		---		DESIGN UNITS		THIRD ANGLE PROJECTION	
DRAWN: K.SUZUKI 2005/03/09		10 OVER 30 UNDER ±0.25		DRAWN BY DATE		TITLE		METRIC		500027-**99	
CHKD: NUKITA 2005/03/10		30 OVER ±0.3		K. SUZUKI 2005/03/03		TAPING PACKAGE		◎ □		-LEAD FREE-	
APPR: NUKITA 2005/03/18		ANGULAR ±3 °		CHECKED BY DATE		MOLEX INCORPORATED		MOLEX		SHEET NO.	
REV: 0		DRAFT WHERE APPLICABLE MUST REMAIN WITHIN DIMENSIONS		N. UKITA 2005/03/03		SD-500027-032		DOCUMENT NO.		1 OF 2	
				MATERIAL NO.		THIS DRAWING CONTAINS INFORMATION THAT IS PROPRIETARY TO MOLEX INCORPORATED AND SHOULD NOT BE USED WITHOUT WRITTEN PERMISSION					

10 9 8 7 6 5 4 3 2 1

F

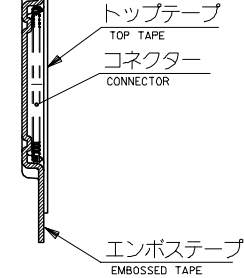
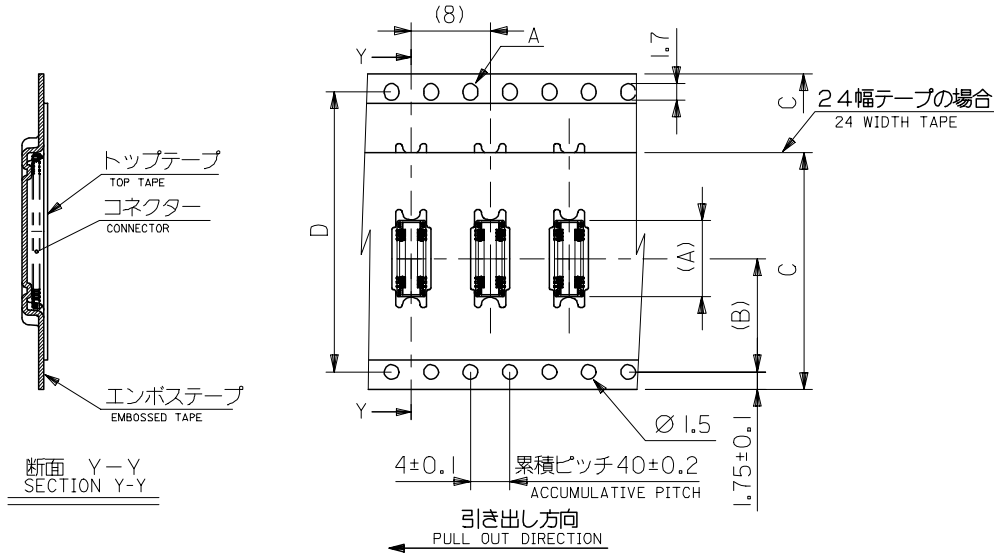
E

D

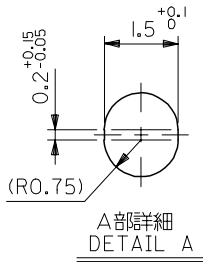
C

B

A



断面 Y-Y SECTION Y-Y



A部詳細 DETAIL A

500027-***91							MODEL NO.	(A)	(B)	C	D	E	F	CONNECTOR	MATERIAL No.	CIRCUIT
17.7	14.2	32±0.3	28.4	33.4	37.4	500027-8099	500027-8091	80								
14.5	14.2	32±0.3	28.4	33.4	37.4	500027-6499	500027-6491	64								
11.7	11.5	24±0.3	—#—	25.4	29.4	500027-5099	500027-5091	50								
6.5	11.5	24±0.3	—#—	25.4	29.4	500027-2499	500027-2491	24								
4.9	11.5	24±0.3	—#—	25.4	29.4	500027-1699	500027-1691	16								

RELEASED EC NO: J2005-2583 DRAWN: KENSUJIKI 2005/03/09 CHKD: NUKITA 2005/03/10 APPR: NUKITA 2005/03/18	GENERAL TOLERANCES (UNLESS SPECIFIED)		DIMENSION STYLE MM ONLY		SCALE ---	DESIGN UNITS METRIC	THIRD ANGLE PROJECTION	
	10 UNDER	±0.2	DRAWN BY K. SUZUKI	DATE 2005/03/03	TITLE 500027-***99 TAPING PACKAGE -LEAD FREE-			
	10 OVER 30 UNDER	±0.25	CHECKED BY N. UKITA	DATE 2005/03/03	APPROVED BY N. UKITA 2005/03/03			
	30 OVER	±0.3	MATERIAL NO.		DOCUMENT NO. SD-500027-032		SHEET NO. 2 OF 2	
	ANGULAR ±3 °	DRAFT WHERE APPLICABLE MUST REMAIN WITHIN DIMENSIONS		SEE CHART		MOLEX INCORPORATED		