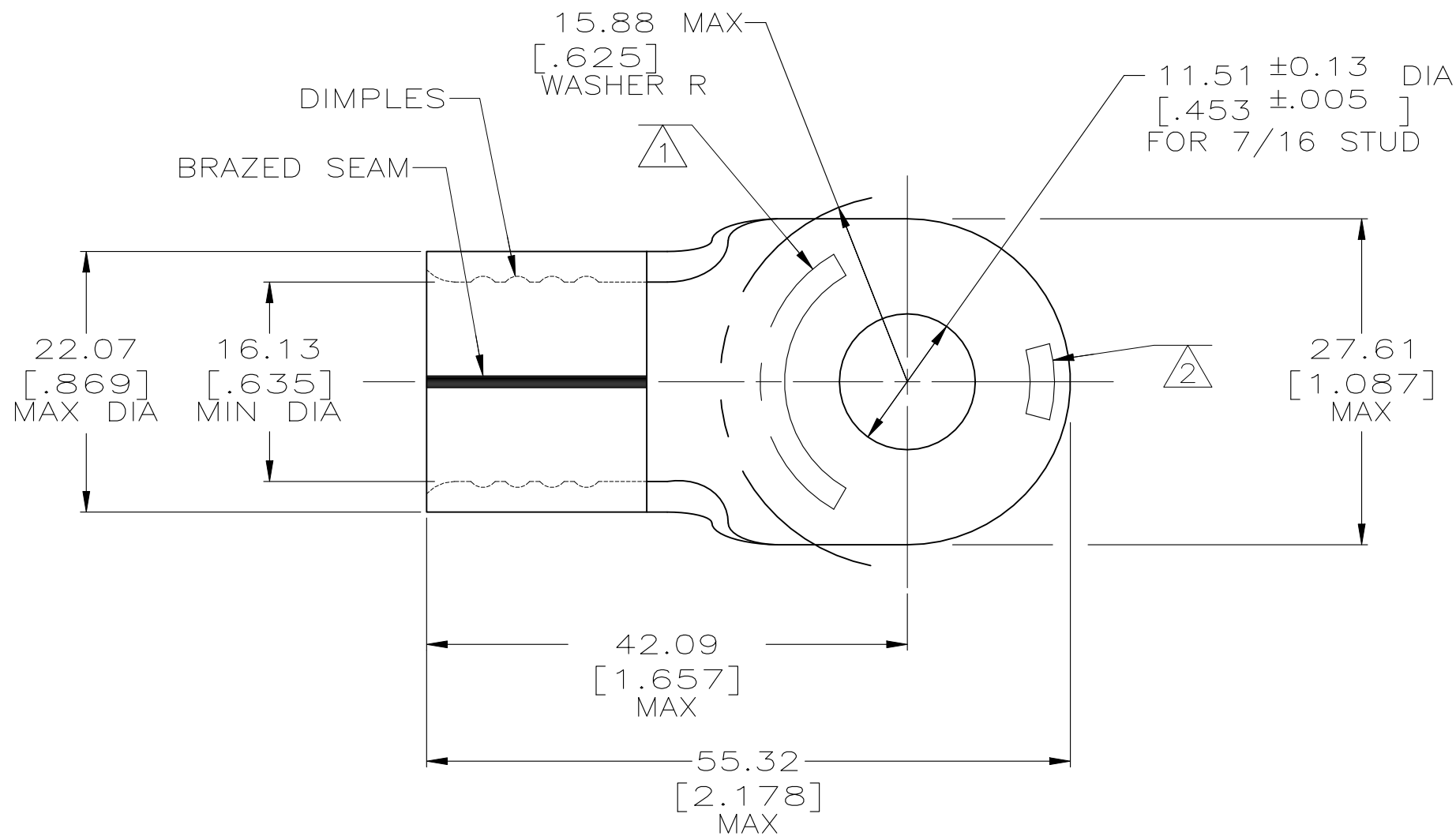


© - TE Connectivity. All Rights Reserved.

REVISIONS

P	LTR	DESCRIPTION	DATE	DWN	APVD
E1		REVISED PER ECN-22-150900	27APR2022	RK	CSD



AMP WIRE RANGE	E13288 Listed
4/0 AWG SOLID OR STRANDED	4/0 AWG SOLID OR STRANDED
LR7189 Certified	
4/0 AWG SOLID OR STRANDED	

- ① STAMP AMP 4/0W* APPROX AS SHOWN
- ② STAMP AMP 200 APPROX AS SHOWN
- 3 MATERIAL THK: 2.59 ±0.08 [.102 ±.003]

321879

PART NO

AMP INCORPORATED
CUSTOMER SERVICE SYSTEMS

MAX RECOMMENDED OPERATING TEMPERATURE:
170° C MAX

THIS DRAWING IS A CONTROLLED DOCUMENT.

DWN DK SCHRUM 22MAY96



FOR ADDITIONAL PRODUCT INFORMATION OR COPIES OF DRAWINGS AND TECHNICAL DOCUMENTS

PRODUCT INFORMATION CENTER
1-800-522-6752

VOLTAGE RATING:
NOT APPLICABLE

DIMENSIONS:
INCHES

TOLERANCES UNLESS OTHERWISE SPECIFIED:

CHK DM SWARTZ 01JUL96

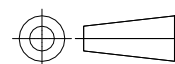
APVD CH KULYNYCH 01JUL96

NAME
TERMINAL, RING TONGUE,
SOLISTRAND
TM

FOR APPLICATION TOOLING INFORMATION

TOOLING ASSISTANCE CENTER
1-800-722-1111

WIRE CROSS SECTIONAL AREA RANGE:
96.3-117.0mm²[190,000-231,100] CIR MILS
SOLID OR STRANDED



0 PLC	± -
1 PLC	± -
2 PLC	± 0.20[.008]
3 PLC	± -
4 PLC	± -
ANGLES	± -

PRODUCT SPEC

APPLICATION SPEC

SIZE CAGE CODE DRAWING NO RESTRICTED TO

FOR ORDER ENTRY

1-800-526-5142

THIS DRAWING IS A CONTROLLED DOCUMENT FOR AMP INCORPORATED. IT IS SUBJECT TO CHANGE AND THE CONTROLLING ENGINEERING ORGANIZATION SHOULD BE CONTACTED FOR THE LATEST REVISION.

MATERIAL
COPPER PER ASTM B-152
ANNEALED

FINISH
TIN PLATE
0.000254[.000100] MIN
THK PER MIL-T-10727

WEIGHT

A3 00779 C-321879

CUSTOMER DRAWING

SCALE 2:1 SHEET 1 OF 1 REV E1