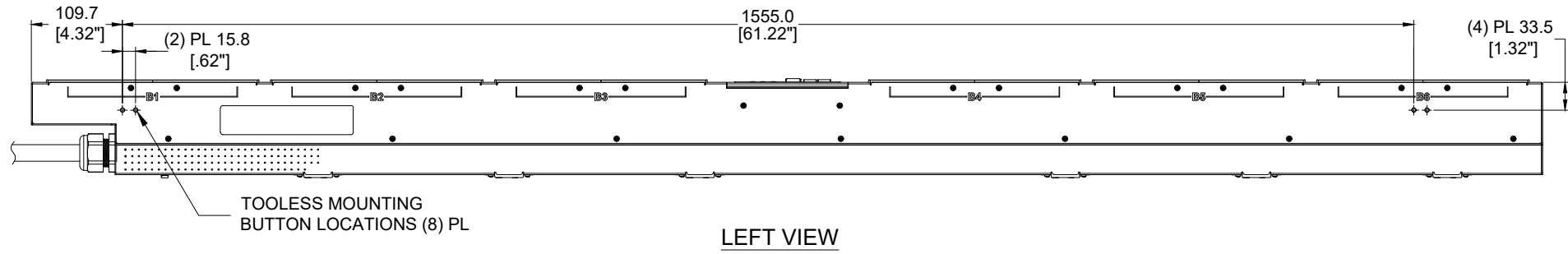


THIS COPY IS PROVIDED ON A RESTRICTED BASIS AND IS NOT TO BE USED IN ANY WAY DETRIMENTAL TO THE INTERESTS OF PANDUIT CORP.

PANDUIT P/N	WEIGHT
P48G09M-XXYZ	SEE SHEET 2



**SPECIFICATION:**

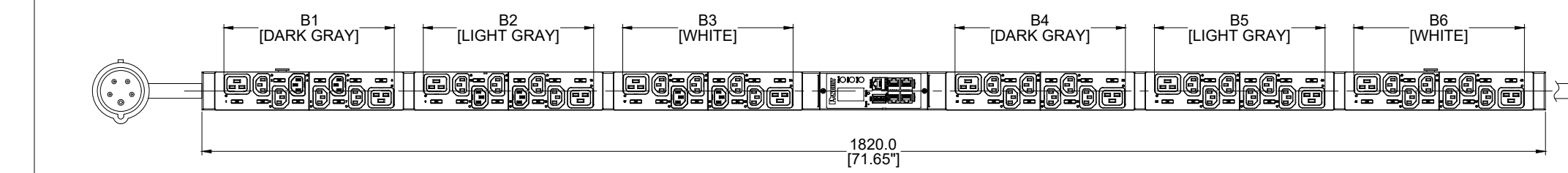
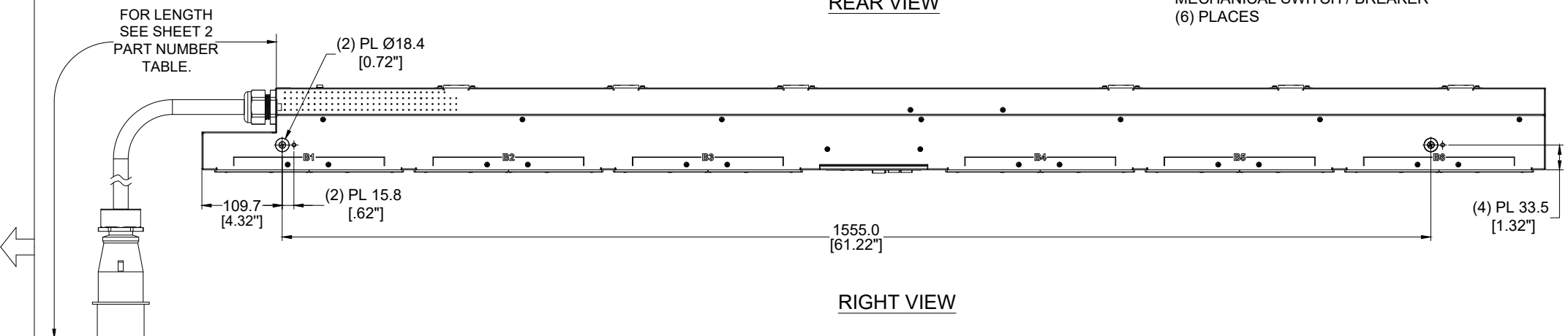
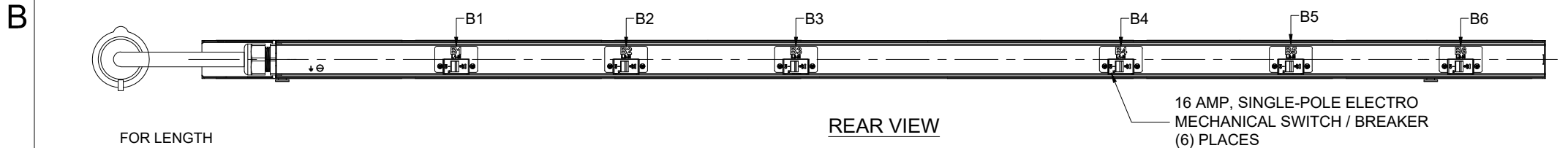
- 1. STANDARD:
  - UNIT TYPE: MONITORED & SWITCHED PER OUTLET
  - ORIENTATION: VERTICAL, 0U FULL, 2-SIDED
  - OUTLET QTY & TYPE: (36) C13, (12) C19
  - INPUT VOLTAGE: 200-240/346-415VAC
  - INPUT CURRENT: 32A
  - BREAKER QTY & TYPE: (6) 16AMP, SINGLE-POLE
  - INPUT PHASE: THREE-PHASE, WYE
  - RATED POWER: 22.0kVA
  - INPUT PLUG: IEC 60309 3P+N+E 6h 32A
  - INPUT POWER CORD: SEE SHEET 2 FOR PART NUMBER TABLE
  - REGULATORY STANDARD: RoHS COMPLIANT
- 2. ADDITIONAL: NONE
- 3. ACCESSORIES: (1) QUICK-START GUIDE

**NOTES:**

- 1. PRIMARY DIMENSIONS ARE IN MILLIMETERS. SECONDARY DIMENSION ARE IN [ INCHES ] .
- 2. INSTALLATION SHALL COMPLY WITH ALL APPLICABLE NATIONAL, STATE, AND LOCAL CODES .
- 3. VISIT OUR ON-LINE CATALOG AT WWW.PANDUIT.COM FOR A CURRENT LIST OF PRODUCTS APPLICABLE FOR USE WITH THIS PART .
- 4. FOR FULL PRODUCT FUNCTIONALITY REFER TO USER MANUAL .
- 5. DRAWING VIEWS SHOW THE INPUT CORD IN THE "TOP END FED" CONFIGURATION

**IDENTIFICATION**

FOR FINISHED GOOD PART NUMBER & DESCRIPTION TABLE SEE SHEET 2 CONFIGURABLE PART NUMBERS: **P48G09M-XX Y Z**



XX: FINISHED GOOD COLOR BL=BLACK YL=YELLOW RD=RED BU=BLUE WH=WHITE GN=GREEN	Y: INPUT FEED TYPE 1=TOP-END FED 2=BOTTOM-END FED	Z: INPUT CORD LENGTH A=1 METER B=2 METER C=3 METER
--	---	---

**PLUG/RECEPTACLE BLOCK**

**PLUG**  
IEC 60309, 4P 5W, 6H  
IP44 (SPASHPROOF)  
32A, 346 - 415V MAX RATED INPUT

**RECEPTACLES**  
IEC 60320/C19  
16A, 250V MAX RATED OUTPUT

**RECEPTACLES**  
IEC 60320/C13  
10A, 250V MAX RATED OUTPUT

**FRONT VIEW**

REV	DATE	BY	CHK	APR	DESCRIPTION	ECN
02A	06/07/2018	JF.YU	MIM	JAWI	ADDED SHEET 2 WITH CONFIGURABLE PART NUMBER TABLE AND DESCRIPTION UPDATED IDENTIFICATION TO INCLUDE CONFIGURABLE OPTION DE-CODER UPDATED CIRCUIT BREAKER LABELS WITH ROTATED TEXT	P48G09M
01A	08/25/2017	GEORGE	MIM	EDM	INITIAL RELEASE	P48G09M

WE ASK THAT YOU CHECK FULLY THE DIMENSIONS, NOTES, AND SIGN THE CLIENT SIGNATURE BOX. THE JOB WILL NOT PROGRESS WITHOUT SIGNED APPROVAL PLEASE DO NOT DELAY IN RETURNING PROOF AS IT WILL AFFECT DELIVERY

TITLE: INTELLIGENT SERIES PDU  
P48G09M-XXYZ  
CUSTOMER DRAWING

ITEM REVISION NAME: \_\_\_\_\_

DATASHEET FILE NAME: \_\_\_\_\_

UNLESS OTHERWISE SPECIFIED  
DIMENSIONAL TOLERANCE ARE: mm [IN]

Tolerance(mm)	0<4<50	±0.5
	50<4<250	±1.0
	250<4<500	±1.5
	500<4<1000	±2.5
	1000<4<2000	±4.0

THIRD ANGLE PROJECTION

MATERIAL/COLOR: N/A

DRAWING NUMBER: P48G09M\_DC

DRAWN BY: WSJ DATE: 08/25/2017 CHK: SEAN SCALE: NONE

SHT 1 OF 2 SCALE: B

THIS COPY IS PROVIDED ON A RESTRICTED BASIS AND IS NOT TO BE USED IN ANY WAY DETRIMENTAL TO THE INTERESTS OF PANDUIT CORP.

FINISHED GOOD PART NUMBER	FINISHED GOOD DESCRIPTION	COLOR	INPUT CORD LENGTH	WEIGHT
P48G09M	VERTICAL,(36) C13,(12) C19,MONITORED & SWITCHED PER OUTLET,200-240/346-415V/32A/THREE-PHASE WYE, TOP-END FED, 3 METER INPUT CORD, BLACK	BLACK (RAL 9005)	3M(+254MM-127MM) 10'[+10"/-5"]	13.2kg
P48G09M-BL1A	VERTICAL,(36) C13,(12) C19,MONITORED & SWITCHED PER OUTLET,200-240/346-415V/32A/THREE-PHASE WYE, TOP-END FED, 1 METER INPUT CORD, BLACK	BLACK (RAL 9005)	1M(+178MM-89MM) 3.3'[+7"/-3.5"]	11.8kg
P48G09M-BL1B	VERTICAL,(36) C13,(12) C19,MONITORED & SWITCHED PER OUTLET,200-240/346-415V/32A/THREE-PHASE WYE, TOP-END FED, 2 METER INPUT CORD, BLACK	BLACK (RAL 9005)	2M(+178MM-89MM) 6.5'[+7"/-3.5"]	12.5kg
P48G09M-RD1A	VERTICAL,(36) C13,(12) C19,MONITORED & SWITCHED PER OUTLET,200-240/346-415V/32A/THREE-PHASE WYE, TOP-END FED, 1 METER INPUT CORD, RED	RED (RAL 3020)	1M(+178MM-89MM) 3.3'[+7"/-3.5"]	11.8kg
P48G09M-RD1B	VERTICAL,(36) C13,(12) C19,MONITORED & SWITCHED PER OUTLET,200-240/346-415V/32A/THREE-PHASE WYE, TOP-END FED, 2 METER INPUT CORD, RED	RED (RAL 3020)	2M(+178MM-89MM) 6.5'[+7"/-3.5"]	12.5kg
P48G09M-RD1C	VERTICAL,(36) C13,(12) C19,MONITORED & SWITCHED PER OUTLET,200-240/346-415V/32A/THREE-PHASE WYE, TOP-END FED, 3 METER INPUT CORD, RED	RED (RAL 3020)	3M(+254MM-127MM) 10'[+10"/-5"]	13.2kg
P48G09M-WH1A	VERTICAL,(36) C13,(12) C19,MONITORED & SWITCHED PER OUTLET,200-240/346-415V/32A/THREE-PHASE WYE, TOP-END FED, 1 METER INPUT CORD, WHITE	WHITE (RAL 9003)	1M(+178MM-89MM) 3.3'[+7"/-3.5"]	11.8kg
P48G09M-WH1B	VERTICAL,(36) C13,(12) C19,MONITORED & SWITCHED PER OUTLET,200-240/346-415V/32A/THREE-PHASE WYE, TOP-END FED, 2 METER INPUT CORD, WHITE	WHITE (RAL 9003)	2M(+178MM-89MM) 6.5'[+7"/-3.5"]	12.5kg
P48G09M-WH1C	VERTICAL,(36) C13,(12) C19,MONITORED & SWITCHED PER OUTLET,200-240/346-415V/32A/THREE-PHASE WYE, TOP-END FED, 3 METER INPUT CORD, WHITE	WHITE (RAL 9003)	3M(+254MM-127MM) 10'[+10"/-5"]	13.2kg
P48G09M-YL1A	VERTICAL,(36) C13,(12) C19,MONITORED & SWITCHED PER OUTLET,200-240/346-415V/32A/THREE-PHASE WYE, TOP-END FED, 1 METER INPUT CORD, YELLOW	YELLOW (RAL 1023)	1M(+178MM-89MM) 3.3'[+7"/-3.5"]	11.8kg
P48G09M-YL1B	VERTICAL,(36) C13,(12) C19,MONITORED & SWITCHED PER OUTLET,200-240/346-415V/32A/THREE-PHASE WYE, TOP-END FED, 2 METER INPUT CORD, YELLOW	YELLOW (RAL 1023)	2M(+178MM-89MM) 6.5'[+7"/-3.5"]	12.5kg
P48G09M-YL1C	VERTICAL,(36) C13,(12) C19,MONITORED & SWITCHED PER OUTLET,200-240/346-415V/32A/THREE-PHASE WYE, TOP-END FED, 3 METER INPUT CORD, YELLOW	YELLOW (RAL 1023)	3M(+254MM-127MM) 10'[+10"/-5"]	13.2kg
P48G09M-BU1A	VERTICAL,(36) C13,(12) C19,MONITORED & SWITCHED PER OUTLET,200-240/346-415V/32A/THREE-PHASE WYE, TOP-END FED, 1 METER INPUT CORD, BLUE	BLUE (RAL 5005)	1M(+178MM-89MM) 3.3'[+7"/-3.5"]	11.8kg
P48G09M-BU1B	VERTICAL,(36) C13,(12) C19,MONITORED & SWITCHED PER OUTLET,200-240/346-415V/32A/THREE-PHASE WYE, TOP-END FED, 2 METER INPUT CORD, BLUE	BLUE (RAL 5005)	2M(+178MM-89MM) 6.5'[+7"/-3.5"]	12.5kg
P48G09M-BU1C	VERTICAL,(36) C13,(12) C19,MONITORED & SWITCHED PER OUTLET,200-240/346-415V/32A/THREE-PHASE WYE, TOP-END FED, 3 METER INPUT CORD, BLUE	BLUE (RAL 5005)	3M(+254MM-127MM) 10'[+10"/-5"]	13.2kg
P48G09M-GN1A	VERTICAL,(36) C13,(12) C19,MONITORED & SWITCHED PER OUTLET,200-240/346-415V/32A/THREE-PHASE WYE, TOP-END FED, 1 METER INPUT CORD, GREEN	GREEN (RAL 6001)	1M(+178MM-89MM) 3.3'[+7"/-3.5"]	11.8kg
P48G09M-GN1B	VERTICAL,(36) C13,(12) C19,MONITORED & SWITCHED PER OUTLET,200-240/346-415V/32A/THREE-PHASE WYE, TOP-END FED, 2 METER INPUT CORD, GREEN	GREEN (RAL 6001)	2M(+178MM-89MM) 6.5'[+7"/-3.5"]	12.5kg
P48G09M-GN1C	VERTICAL,(36) C13,(12) C19,MONITORED & SWITCHED PER OUTLET,200-240/346-415V/32A/THREE-PHASE WYE, TOP-END FED, 3 METER INPUT CORD, GREEN	GREEN (RAL 6001)	3M(+254MM-127MM) 10'[+10"/-5"]	13.2kg
P48G09M-BL2A	VERTICAL,(36) C13,(12) C19,MONITORED & SWITCHED PER OUTLET,200-240/346-415V/32A/THREE-PHASE WYE, BOTTOM-END FED, 1 METER INPUT CORD, BLACK	BLACK (RAL 9005)	1M(+178MM-89MM) 3.3'[+7"/-3.5"]	11.8kg
P48G09M-BL2B	VERTICAL,(36) C13,(12) C19,MONITORED & SWITCHED PER OUTLET,200-240/346-415V/32A/THREE-PHASE WYE, BOTTOM-END FED, 2 METER INPUT CORD, BLACK	BLACK (RAL 9005)	2M(+178MM-89MM) 6.5'[+7"/-3.5"]	12.5kg
P48G09M-BL2C	VERTICAL,(36) C13,(12) C19,MONITORED & SWITCHED PER OUTLET,200-240/346-415V/32A/THREE-PHASE WYE, BOTTOM-END FED, 3 METER INPUT CORD, BLACK	BLACK (RAL 9005)	3M(+254MM-127MM) 10'[+10"/-5"]	13.2kg
P48G09M-RD2A	VERTICAL,(36) C13,(12) C19,MONITORED & SWITCHED PER OUTLET,200-240/346-415V/32A/THREE-PHASE WYE, BOTTOM-END FED, 1 METER INPUT CORD, RED	RED (RAL 3020)	1M(+178MM-89MM) 3.3'[+7"/-3.5"]	11.8kg
P48G09M-RD2B	VERTICAL,(36) C13,(12) C19,MONITORED & SWITCHED PER OUTLET,200-240/346-415V/32A/THREE-PHASE WYE, BOTTOM-END FED, 2 METER INPUT CORD, RED	RED (RAL 3020)	2M(+178MM-89MM) 6.5'[+7"/-3.5"]	12.5kg
P48G09M-RD2C	VERTICAL,(36) C13,(12) C19,MONITORED & SWITCHED PER OUTLET,200-240/346-415V/32A/THREE-PHASE WYE, BOTTOM-END FED, 3 METER INPUT CORD, RED	RED (RAL 3020)	3M(+254MM-127MM) 10'[+10"/-5"]	13.2kg
P48G09M-WH2A	VERTICAL,(36) C13,(12) C19,MONITORED & SWITCHED PER OUTLET,200-240/346-415V/32A/THREE-PHASE WYE, BOTTOM-END FED, 1 METER INPUT CORD, WHITE	WHITE (RAL 9003)	1M(+178MM-89MM) 3.3'[+7"/-3.5"]	11.8kg
P48G09M-WH2B	VERTICAL,(36) C13,(12) C19,MONITORED & SWITCHED PER OUTLET,200-240/346-415V/32A/THREE-PHASE WYE, BOTTOM-END FED, 2 METER INPUT CORD, WHITE	WHITE (RAL 9003)	2M(+178MM-89MM) 6.5'[+7"/-3.5"]	12.5kg
P48G09M-WH2C	VERTICAL,(36) C13,(12) C19,MONITORED & SWITCHED PER OUTLET,200-240/346-415V/32A/THREE-PHASE WYE, BOTTOM-END FED, 3 METER INPUT CORD, WHITE	WHITE (RAL 9003)	3M(+254MM-127MM) 10'[+10"/-5"]	13.2kg
P48G09M-YL2A	VERTICAL,(36) C13,(12) C19,MONITORED & SWITCHED PER OUTLET,200-240/346-415V/32A/THREE-PHASE WYE, BOTTOM-END FED, 1 METER INPUT CORD, YELLOW	YELLOW (RAL 1023)	1M(+178MM-89MM) 3.3'[+7"/-3.5"]	11.8kg
P48G09M-YL2B	VERTICAL,(36) C13,(12) C19,MONITORED & SWITCHED PER OUTLET,200-240/346-415V/32A/THREE-PHASE WYE, BOTTOM-END FED, 2 METER INPUT CORD, YELLOW	YELLOW (RAL 1023)	2M(+178MM-89MM) 6.5'[+7"/-3.5"]	12.5kg
P48G09M-YL2C	VERTICAL,(36) C13,(12) C19,MONITORED & SWITCHED PER OUTLET,200-240/346-415V/32A/THREE-PHASE WYE, BOTTOM-END FED, 3 METER INPUT CORD, YELLOW	YELLOW (RAL 1023)	3M(+254MM-127MM) 10'[+10"/-5"]	13.2kg
P48G09M-BU2A	VERTICAL,(36) C13,(12) C19,MONITORED & SWITCHED PER OUTLET,200-240/346-415V/32A/THREE-PHASE WYE, BOTTOM-END FED, 1 METER INPUT CORD, BLUE	BLUE (RAL 5005)	1M(+178MM-89MM) 3.3'[+7"/-3.5"]	11.8kg
P48G09M-BU2B	VERTICAL,(36) C13,(12) C19,MONITORED & SWITCHED PER OUTLET,200-240/346-415V/32A/THREE-PHASE WYE, BOTTOM-END FED, 2 METER INPUT CORD, BLUE	BLUE (RAL 5005)	2M(+178MM-89MM) 6.5'[+7"/-3.5"]	12.5kg
P48G09M-BU2C	VERTICAL,(36) C13,(12) C19,MONITORED & SWITCHED PER OUTLET,200-240/346-415V/32A/THREE-PHASE WYE, BOTTOM-END FED, 3 METER INPUT CORD, BLUE	BLUE (RAL 5005)	3M(+254MM-127MM) 10'[+10"/-5"]	13.2kg
P48G09M-GN2A	VERTICAL,(36) C13,(12) C19,MONITORED & SWITCHED PER OUTLET,200-240/346-415V/32A/THREE-PHASE WYE, BOTTOM-END FED, 1 METER INPUT CORD, GREEN	GREEN (RAL 6001)	1M(+178MM-89MM) 3.3'[+7"/-3.5"]	11.8kg
P48G09M-GN2B	VERTICAL,(36) C13,(12) C19,MONITORED & SWITCHED PER OUTLET,200-240/346-415V/32A/THREE-PHASE WYE, BOTTOM-END FED, 2 METER INPUT CORD, GREEN	GREEN (RAL 6001)	2M(+178MM-89MM) 6.5'[+7"/-3.5"]	12.5kg
P48G09M-GN2C	VERTICAL,(36) C13,(12) C19,MONITORED & SWITCHED PER OUTLET,200-240/346-415V/32A/THREE-PHASE WYE, BOTTOM-END FED, 3 METER INPUT CORD, GREEN	GREEN (RAL 6001)	3M(+254MM-127MM) 10'[+10"/-5"]	13.2kg

B

B

A

A

REV	DATE	BY	CHK	APR	DESCRIPTION	ECN
02A	06/07/2018	JF.YU	MIM	JAWI	ADDED SHEET 2 WITH CONFIGURABLE PART NUMBER TABLE AND DESCRIPTION UPDATED IDENTIFICATION TO INCLUDE CONFIGURABLE OPTION DE-CODER UPDATED CIRCUIT BREAKER LABELS WITH ROTATED TEXT	P48G09M
01A	08/25/2017	GEORGE	MIM	EDM	INITIAL RELEASE	P48G09M

WE ASK THAT YOU CHECK FULLY THE DIMENSIONS, NOTES, AND SIGN THE CLIENT SIGNATURE BOX.  
THE JOB WILL NOT PROGRESS WITHOUT SIGNED APPROVAL PLEASE DO NOT DELAY IN RETURNING PROOF AS IT WILL AFFECT DELIVERY

SIGN \_\_\_\_\_  
DATE \_\_\_\_\_  
PRINT \_\_\_\_\_

TITLE: INTELLIGENT SERIES PDU  
P48G09M-XXYZ  
CUSTOMER DRAWING

ITEM REVISION NAME: \_\_\_\_\_  
DATASHEET FILE NAME: \_\_\_\_\_

UNLESS OTHERWISE SPECIFIED  
DIMENSIONAL TOLERANCE ARE: mm [IN]

Tolerance(mm)	
0<L<50	±0.5
50<L<250	±1.0
250<L<500	±1.5
500<L<1000	±2.5
1000<L<2000	±4.0

MATERIAL/COLOR: N/A  
DRAWING NUMBER: P48G09M\_DC

THIRD ANGLE PROJECTION

DRAWN BY: WSJ DATE: 08/25/2017 CHK: SEAN SCALE: NONE

SHT 2 OF 2 SCALE: B