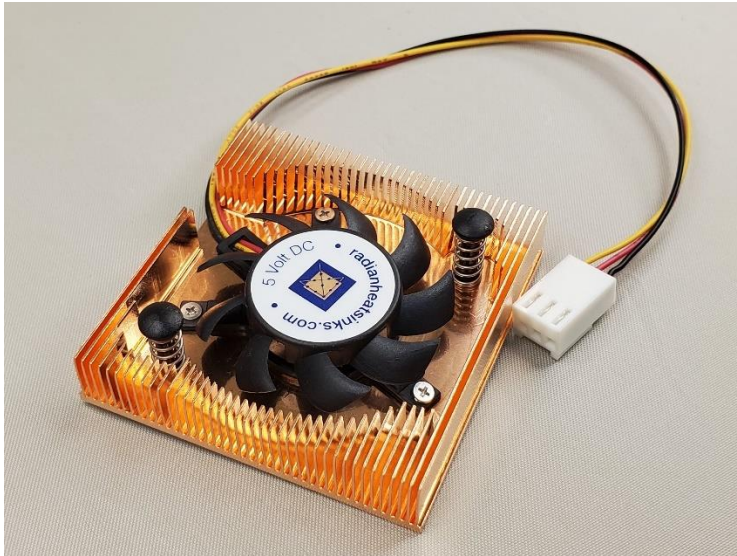




# radian

## Scorpion PCIe Fansink – SC05S

Radian Thermal Products has been committed to helping our customers with full-service mechanical and thermal solutions since 1974. Radian offers a range of standard PCIe active and passive cooling solutions as well as custom designs to meet customer requirements.



### Description:

- Scorpion Fansink, 50 x 50 x 10.5mm, 5V

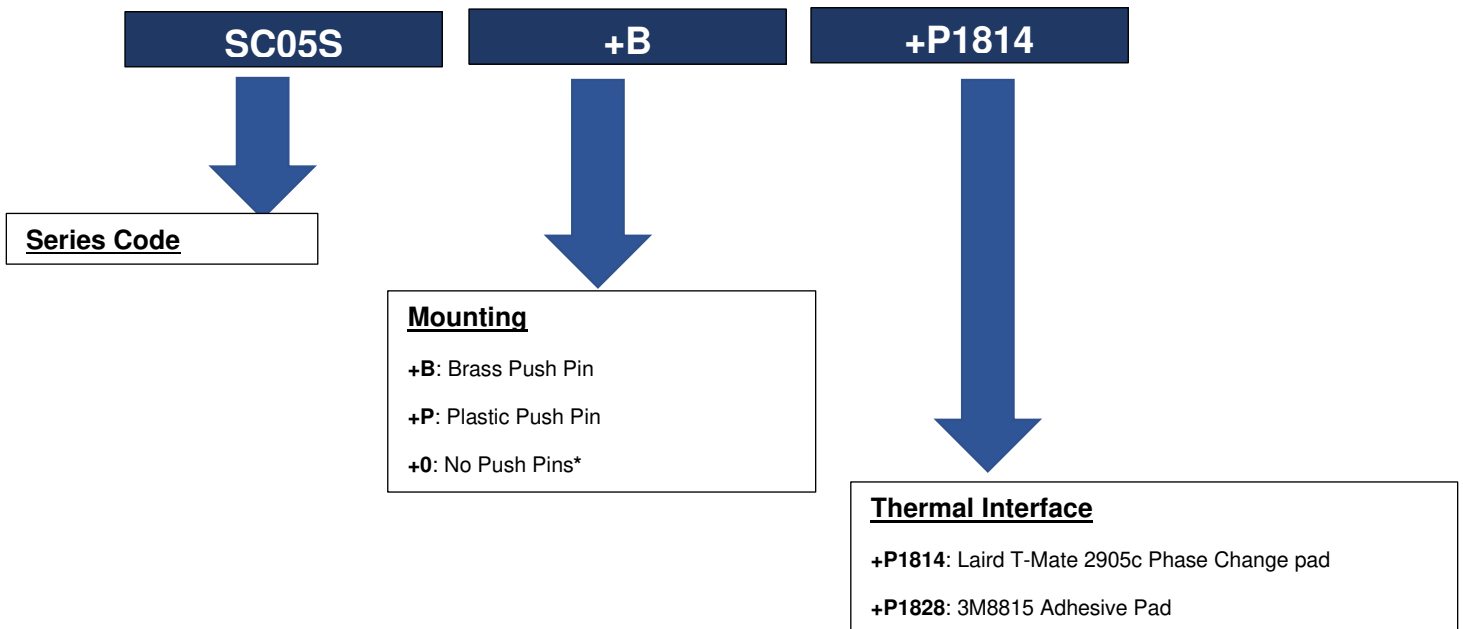
Buy Online at:

[Radianheatsinks.com](http://Radianheatsinks.com)

<b>PART</b>	SC05S
<b>MOUNTING</b>	Push Pin
<b>MATERIAL</b>	Copper
<b>LENGTH (mm)</b>	50.0
<b>WIDTH (mm)</b>	50.0
<b>HEIGHT (mm)</b>	10.5
<b>VOLTAGE (V DC)</b>	5.0

### Model Numbering System

Part numbers can be customized as follows:



**\*Must be combined with 3M8815 Adhesive Pad.**

## Fansink Specifications

### Thermal Data

$\Theta_{SA}^1$ (°C/W)	1.5
TIM Options	3M 8815 Adhesive Pad
	LAIRD T-MATE 2905c
	Contact Radian for other options

### Mechanical Data

Assembly Dimensions	See Figure 1
Heatsink Material	Copper
Surface Finish	Anti-Oxidation
Force per Push Pin (lb <sub>r</sub> )	Brass: 1.6 ±15% Maximum
	Plastic: 1.6 ±15% Maximum
Push Pin Effective Length (mm) (See Figure 2)	Brass: 13.72 ±0.127
	Plastic: 12.29 ±0.127
Maximum Combined Thickness (mm) <sup>2</sup>	Brass: 11
	Plastic: 9.5
Push Pin Extension Length under PCB (mm) (See Figure 2)	Brass: 2.16 ±0.127
	Plastic: 3.2 ±0.127
Recommended PCB Hole Diameter for Push Pin (mm)	Brass: 3.0
	Plastic: 3.2
Connector	Molex 22-01-3037
Connector Receptacle	Mates KK 254 PCB Headers
Masst (g)	57
Noise (dB)	33.85

### Electrical Data

Operating Voltage (V <sub>DC</sub> )	5
	6.2 Max
Connector Pins	08-50-0114 OR EQUIVALENT
Starting Voltage (VDC)	4 (ON/OFF)
Input Current (A)	0.19 +/- 0.02
Wire Description	See Figure 1
Signal Circuit	See Figure 3

### Environmental Data

Operating Temperature (°C)	-10 to +70
Storage Temperature (°C)	-40 to +75
Operating Humidity (%RH)	5 to 90
Storage Humidity (%RH)	5 to 95
MTBF	30,000 hours continuous operation at 25°C with 15~65 %RH.

<sup>1</sup> Typical value, actual performance may vary depending on application environment.

<sup>2</sup> Combined thickness is the sum of the PCB, chip, thermal pad and heatsink base thicknesses.

## Fansink Assembly Drawings

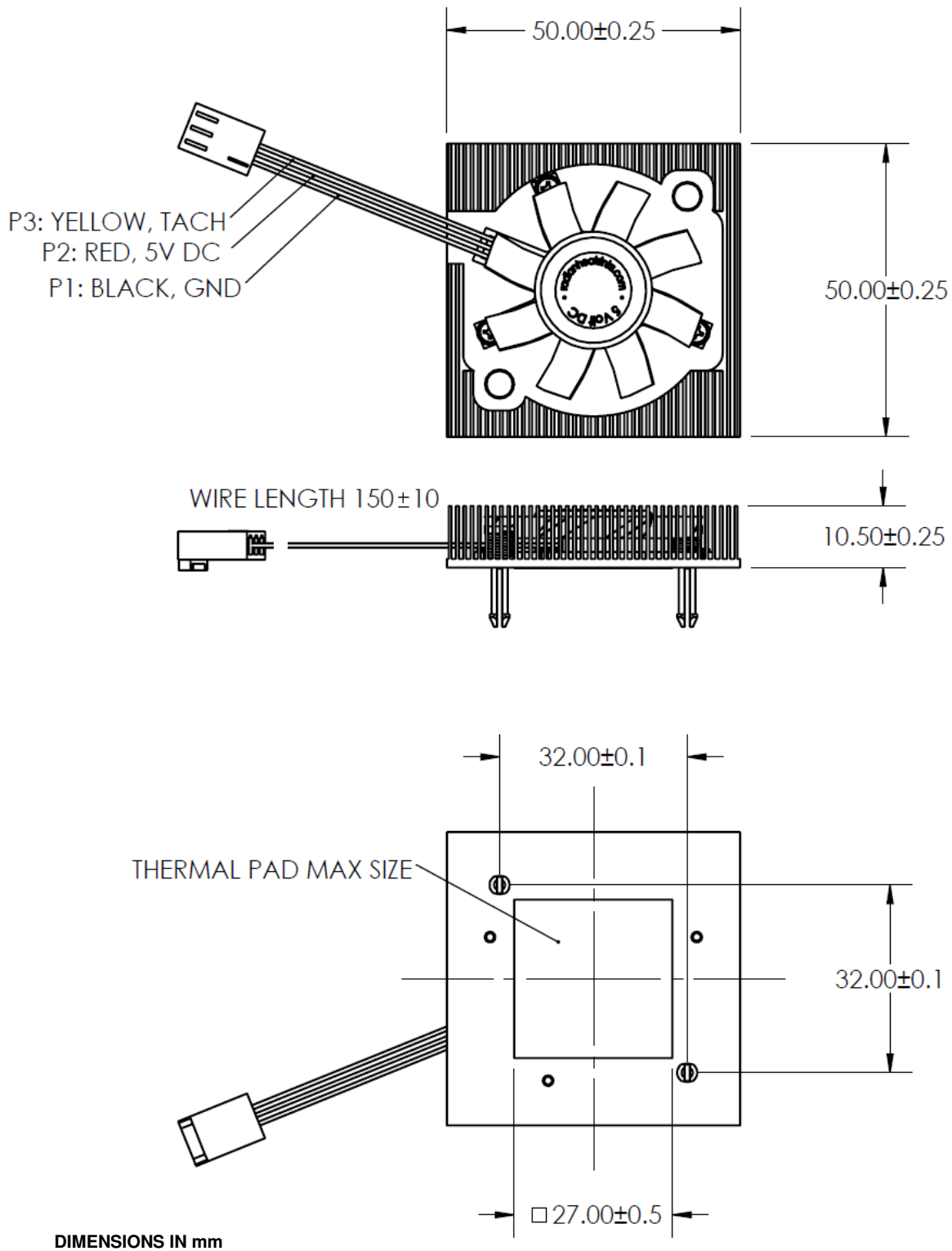


Figure 1: SC50S Mechanical Drawings

## Push Pin Illustration

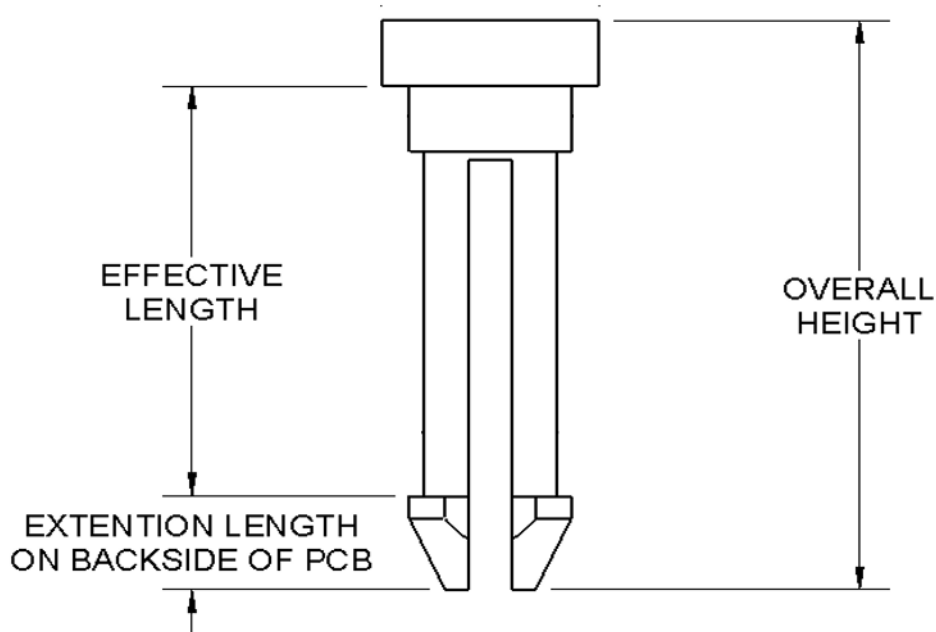
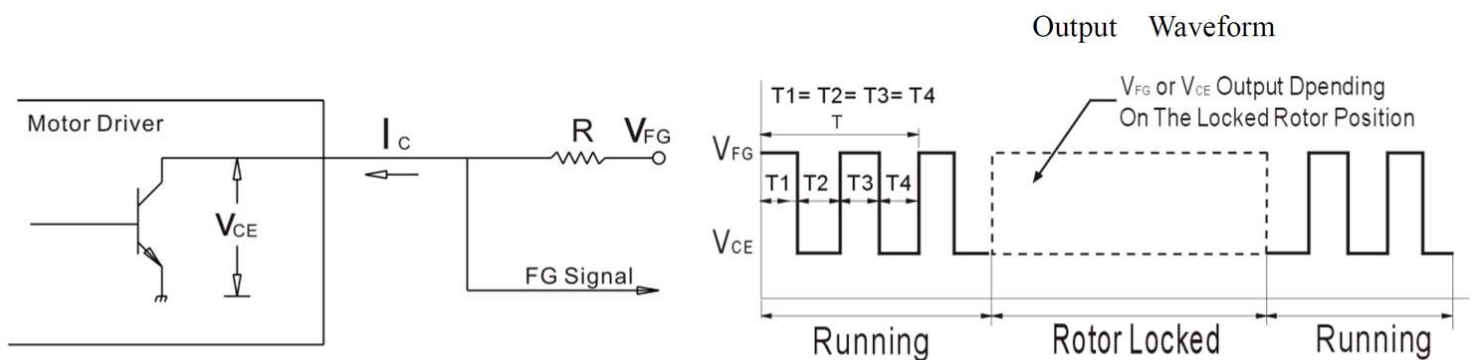


Figure 2: Push Pin Illustration

## Fan Circuit Schematic



Output Type : Open Collect

$V_{CE(sat)}=0.5V(\text{Max.})$

$I_C=5mA(\text{Max.})$

$V_{FG}=\text{Maximum operation voltage}$

$R \geq V_{FG} / I_C$

$N=R.P.M ; T= 60/N (\text{Sec.}) ; FG=1/T*2 (\text{Hz}) ; N=FG*30$

Figure 3: SC50S Signal Circuit Schematic