

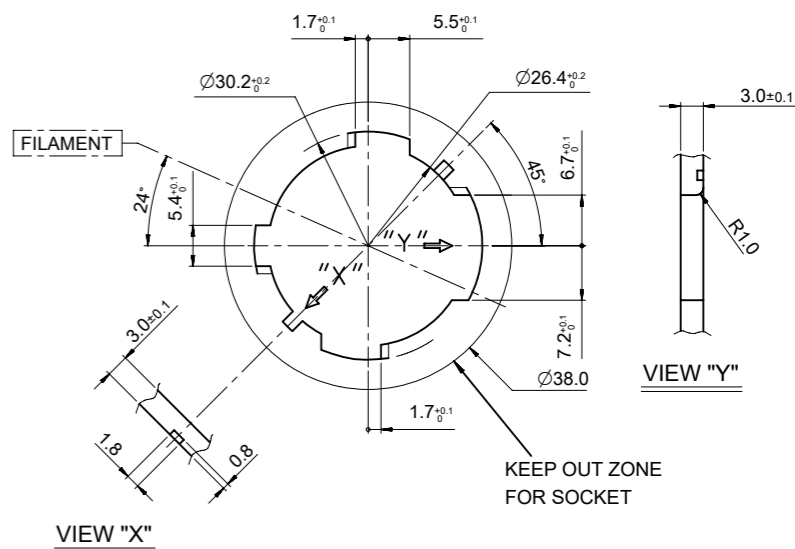
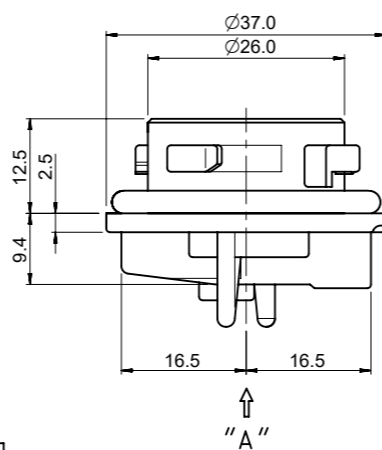
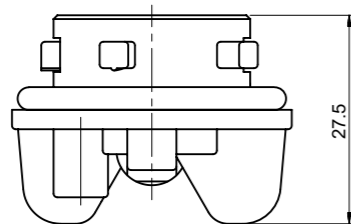
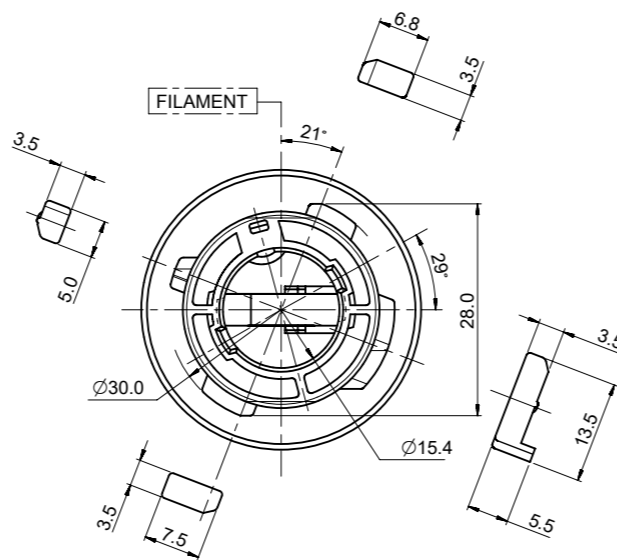
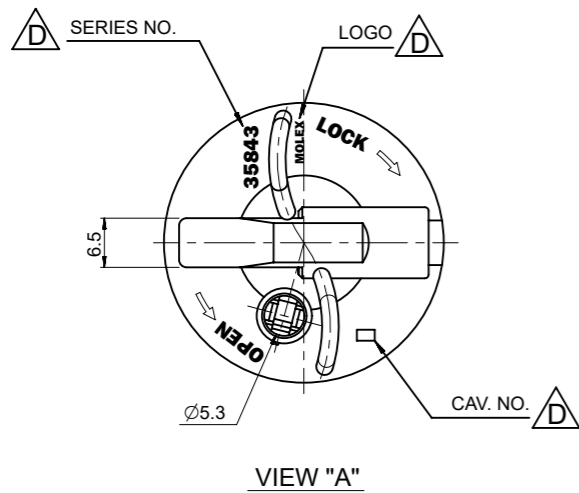
NOTES

1. FOCAL LENGTH =31.8mm
2. PRODUCT SPECIFICATION: PS-35842-001
3. APPLICABLE BULB CAP: P21W(BA15s)
4. MATES WITH

NO.	DESCRIPTION	MATERIAL	ORDER NO.	REMARK
③	POSITIVE TERMINAL	PHOSPHOR BRONZE	35464-8000	UNPLATED
④	POSITIVE WIRE SEAL	SILICONE	35903-0096	BROWN
⑤	EARTH TERMINAL	PHOSPHOR BRONZE	35465-8000	UNPLATED
⑥	EARTH WIRE SEAL	SILICONE	35903-0106	BLUE

<PART LIST>

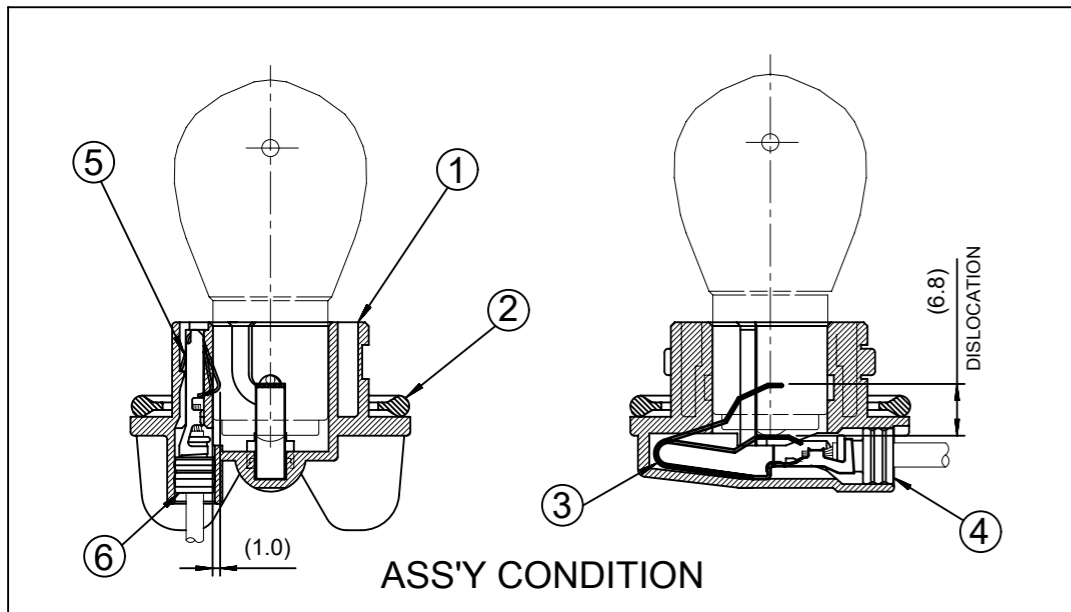
NO.	DESCRIPTION	MATERIAL	USAGE	REMARK
①	SINGLE SOCKET	PA66 M/F	1	D TYPE
②	SEAL GASKET	NBR	1	BLACK



MOUNTING INTERFACE (MI-4)

<TABLE 1>

MATERIAL NO.	ORDER NO.	COLOR
358431240	35843-1240	NATURAL
358431245	35843-1245	GRAY
358431246	35843-1246	WHITE
358431247	35843-1247	BROWN



THIS DRAWING CONTAINS INFORMATION THAT IS PROPRIETARY TO MOLEX ELECTRONIC TECHNOLOGIES, LLC AND SHOULD NOT BE USED WITHOUT WRITTEN PERMISSION

DIMENSION UNITS: mm	SCALE: 1:1	CURRENT REV DESC: RETRACTED PART NUMBER AS PER SALES FORCE CASE#210635	molex		
GENERAL TOLERANCES (UNLESS SPECIFIED)					
4 PLACES ±	MM INCH	EC NO: 674442	PRODUCT CUSTOMER DRAWING		
3 PLACES ±		DRWN: SUGEEB 2021/08/18	DOCUMENT NUMBER: SD-35843-004		
2 PLACES ± 0.15		CHK'D: GGA 2021/09/08	DOC TYPE: PSD		
1 PLACE ± 0.25		APPR: GGA 2021/09/08	DOC PART: 001		
0 PLACES ±		INITIAL REVISION:	REVISION: F		
ANGULAR TOL ± 2.0°		DRWN: YSIKKIM 1999/06/08	SERIES: 35843		
		APPR: CWLEE 1999/06/08	MATERIAL NUMBER: SEE TABLE 1		
DRAFT WHERE APPLICABLE MUST REMAIN WITHIN DIMENSIONS	THIRD ANGLE PROJECTION	DRAWING: A3-SIZE	CUSTOMER: GENERAL MARKET	SHEET NUMBER: 1 OF 1	