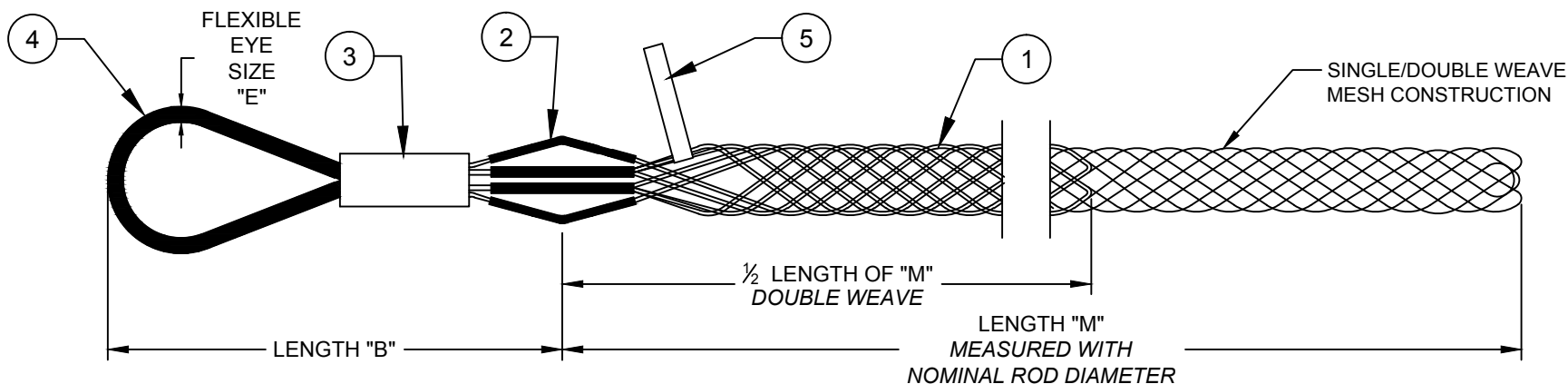


WOODHEAD CATALOG NUMBER	MATERIAL NUMBER	CABLE RANGE	NOMINAL ROD DIAMETER	LENGTH "M"	LENGTH "B"	FLEXIBLE EYE SIZE "E"	BREAK STRENGTH* (LBS/N)	UL LISTED	CSA APPROVED	PRODUCT SELECTION NUMBER
35940	1300950172	.50-.61 / 12.7-15.5	0.55 / 14.0	21.00±2.50 / 533.4±63.5	8.00±1.00 / 203.2±25.4	7/32 / 5.6	4500 / 20017	NO	YES	P050-21
35941	1300950173	.62-.74 / 15.7-18.8	0.68 / 17.3	24.00±2.50 / 609.6±63.5	8.00±1.00 / 203.2±25.4	1/4 / 6.4	5600 / 24910			P062-24
35942	1300950174	.75-.99 / 19.1-25.1	0.87 / 22.1	24.00±2.50 / 609.6±63.5	8.00±1.00 / 203.2±25.4	1/4 / 6.4	6800 / 30248			P075-24
35943	1300950175	1.00-1.49 / 25.4-37.8	1.24 / 31.5	24.00±2.50 / 609.6±63.5	9.00±1.00 / 228.6±25.4	5/16 / 7.9	9600 / 42703			P100-24
35944	1300950176	1.50-1.99 / 38.1-50.5	1.74 / 44.2	24.00±2.50 / 609.6±63.5	11.00±1.00 / 279.4±25.4	7/16 / 11.1	16400 / 72951			P150-24
35945	1300950177	2.00-2.49 / 50.8-63.2	2.24 / 56.9	24.00±2.50 / 609.6±63.5	12.00±1.00 / 304.8±25.4	7/16 / 11.1	18500 / 82292			P200-24
35946	1300950178	2.50-2.99 / 63.5-75.9	2.74 / 69.6	24.00±2.50 / 609.6±63.5	12.00±1.00 / 304.8±25.4	1/2 / 12.7	24500 / 108981			P250-24
35947	1300950179	3.00-3.49 / 76.2-88.6	3.24 / 82.3	24.00±2.50 / 609.6±63.5	14.00±1.50 / 355.6±38.1	1/2 / 12.7	24500 / 108981			P300-24
35948	1300950180	3.50-3.99 / 88.9-101.3	3.74 / 95.0	26.00±2.50 / 660.4±63.5	14.00±1.50 / 355.6±38.1	5/8 / 15.9	31000 / 137895			P350-24

\*TO DETERMINE RECOMMENDED WORKING LOAD, DIVIDE BREAK STRENGTH BY 5.



ITEM	DESCRIPTION	MATERIAL
1	WIRE MESH	GALVANIZED STEEL
2	SHOULDER PROTECTOR	POLYURETHANE OR NYLON
3	FERRULE	ALUMINUM
4	BALE PROTECTOR	POLYURETHANE
5	LABEL	MYLAR

RELEASE SALES DRAWING EC NO: IFC2014-1487 DRWN: HRUIZ01 2014/05/13 CHKD: HKNEELAN 2014/05/13 APPR: JFMURPHY 2014/10/14	QUALITY SYMBOLS	GENERAL TOLERANCES (UNLESS SPECIFIED)	DIMENSION STYLE	SCALE	DESIGN UNITS	THIRD ANGLE PROJECTION
	▽=0	mm INCH	INCH/MM	NTS	INCH	
	∇=0	4 PLACES ±--- ±---	DRAWN BY DATE			
		3 PLACES ±--- ±.005	CHECKED BY DATE			
	2 PLACES ±.13 ±.010	APPROVED BY DATE				
	1 PLACE ±.25 ±.020	JFMURPHY 2014/10/14				
	ANGULAR ±1/2°					
		DRAFT WHERE APPLICABLE MUST REMAIN WITHIN DIMENSIONS	SEE TABLE			
			SIZE A	THIS DRAWING CONTAINS INFORMATION THAT IS PROPRIETARY TO MOLEX INCORPORATED AND SHOULD NOT BE USED WITHOUT WRITTEN PERMISSION		

TITLE		PULLING GRIPS MEDIUM/HEAVY DUTY SHORT LENGTH, T-TYPE	
MATERIAL NO.		SD-130095-103	
DOCUMENT NO.		SD-130095-103	
SHEET NO.		1 OF 1	