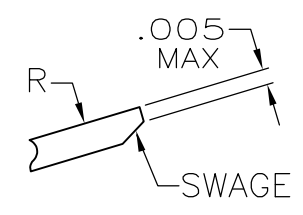
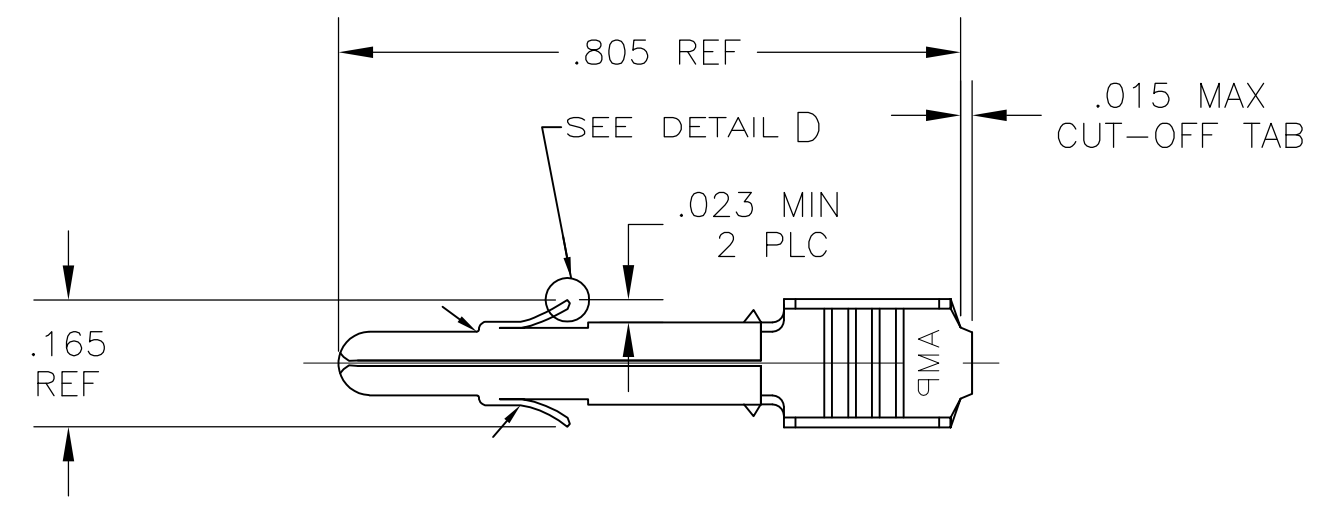


THIS DRAWING IS UNPUBLISHED. RELEASED FOR PUBLICATION
 © COPYRIGHT - By - ALL RIGHTS RESERVED.

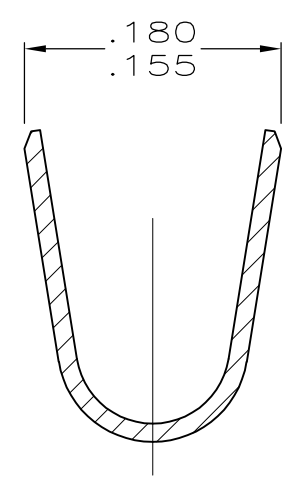
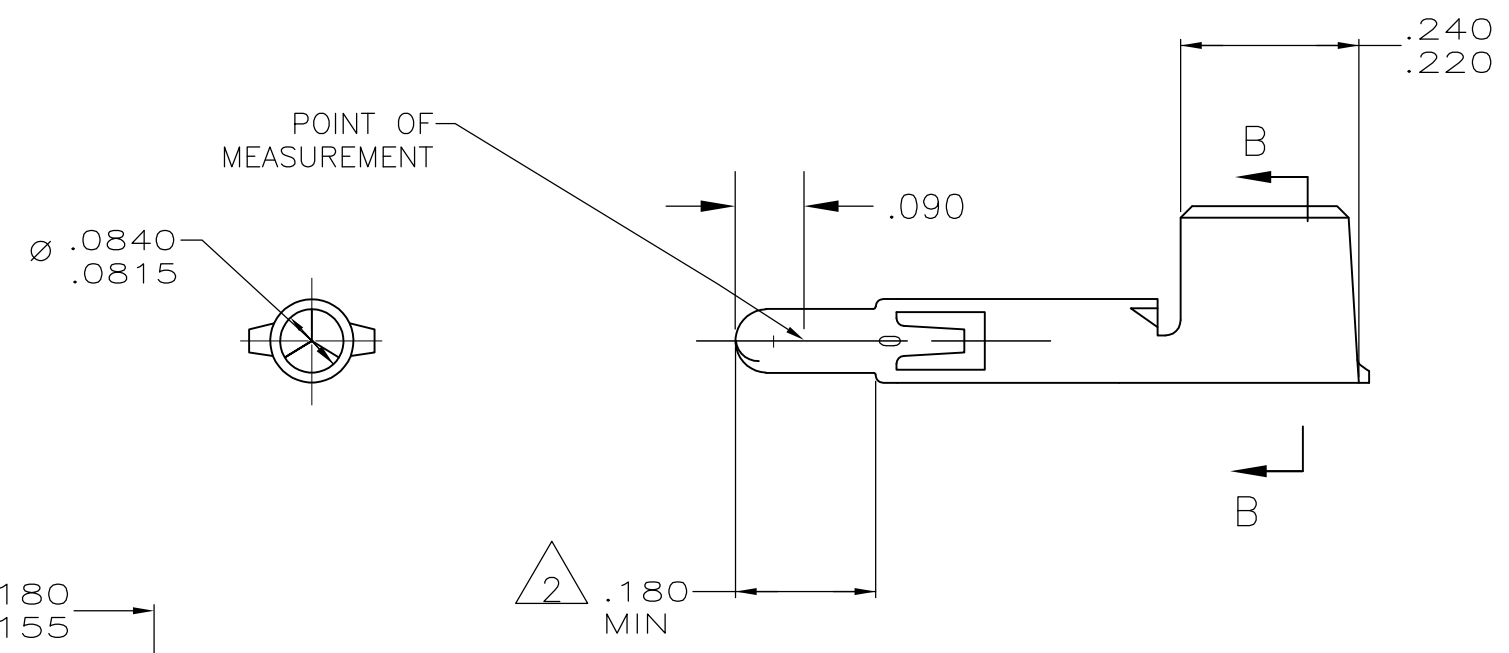
| LOC | DIST | REVISIONS | | | | | |
|-----|------|-----------|-----|---------------------------|---------|-----|------|
| | | P | LTR | DESCRIPTION | DATE | DWN | APVD |
| CM | 00 | | J2 | REV PER ECO 11-020508 | 11OCT11 | JR | PD |
| | | | J3 | REVISED PER ECR-14-004102 | 28MAR14 | AV | KD |



DETAIL C
SCALE 20:1



- WIRE RANGE : 12-10 AWG
INSULATION RANGE: .200 DIA MAX
(LIMITED BY THE CONNECTOR HOUSING CAVITY).
- PLATED WITH .000030 GOLD, OVER
.000050 NICKEL UNDERPLATE.



SECTION B-B
SCALE 10:1

| | | |
|--------------------|-----------------|-------------|
| GOLD $\triangle 2$ | .012 PHOS. BRZ. | 640309-6 |
| PRE-TIN | .12 PHOS. BRZ. | 640309-3 |
| FINISH | MATERIAL | PART NUMBER |

| | | | | | | | | |
|--|--|--------|-----------------|-------------------------------|-----------------|-----------|------------|---------------|
| THIS DRAWING IS A CONTROLLED DOCUMENT. | | DWN | JR RUTH | 11OCT11 | TE Connectivity | | | |
| DIMENSIONS: INCHES | | CHK | TOM MICHIELUTTI | 11OCT11 | | | | |
| TOLERANCES UNLESS OTHERWISE SPECIFIED: | | APVD | TOM MICHIELUTTI | 11OCT11 | | | | |
| 0 PLC ± - 1 PLC ± - 2 PLC ± - 3 PLC ± .015 4 PLC ± - ANGLES ± - | | NAME | | PIN, UNIVERSAL MATE-N-LOK(TM) | | | | |
| MATERIAL | | FINISH | | PRODUCT SPEC | SIZE | CAGE CODE | DRAWING NO | RESTRICTED TO |
| | | | | APPLICATION SPEC | A300779 | | C-640309 | |
| CUSTOMER DRAWING | | | | WEIGHT | - | | SCALE | 4:1 |
| | | | | SHEET | | 1 OF 1 | | REV |
| | | | | | | | | J3 |