

MATERIALS AND FINISHES

BODY, COUPLING NUT, CAP STAINLESS STEEL
PASSIVATED

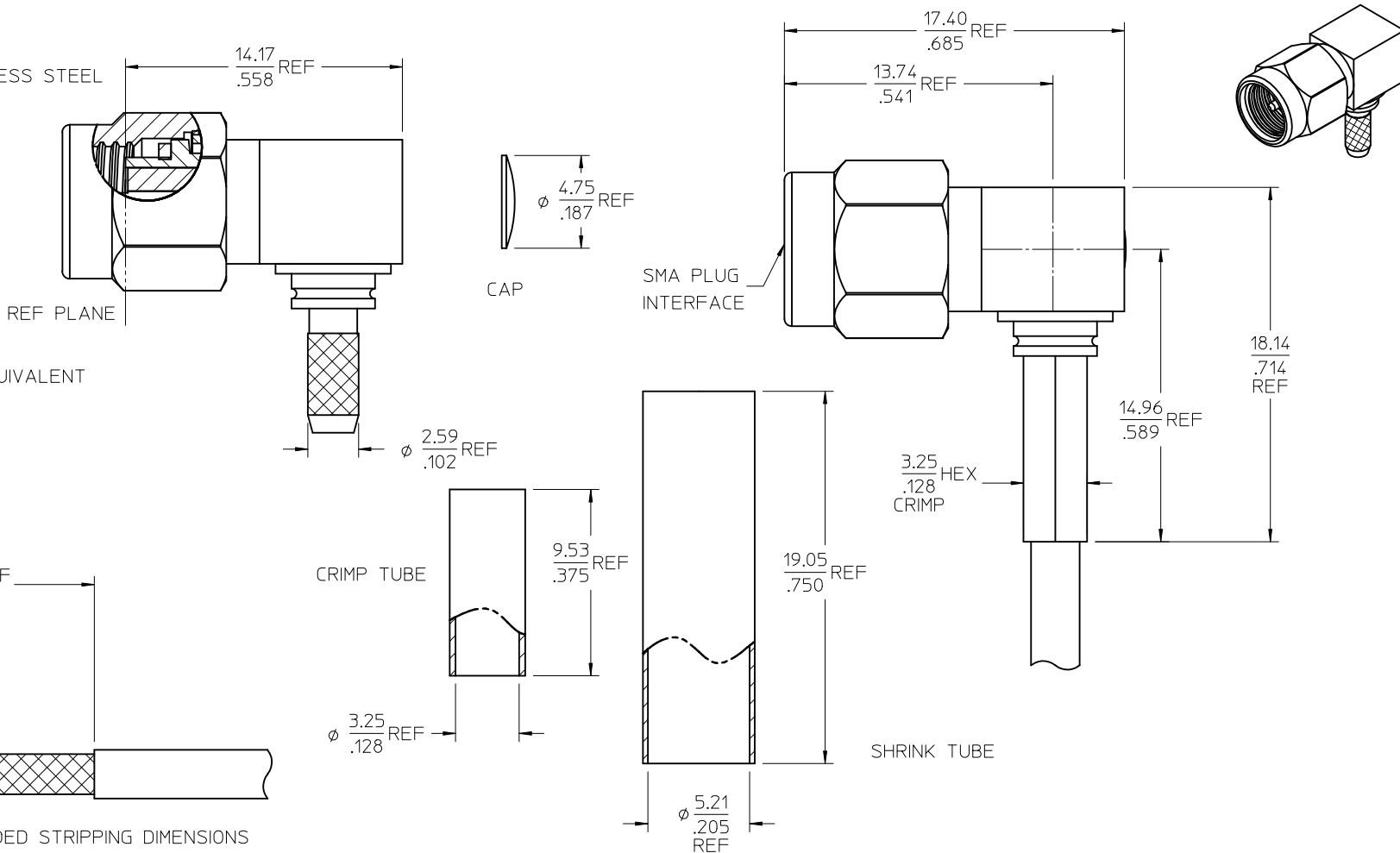
CENTER CONTACT BRASS
PLATED GOLD

CRIMP TUBE BRASS
PLATED NICKEL

INSULATOR TEFLON

SHRINK TUBE VERSAFIT OR EQUIVALENT

GASKET SILICONE RUBBER



73251-0213	73251-0211, 20 CAVITY TRAY
73251-0212	ONE PIECE 73251-0211 PER BAG
73251-0211	80 CAVITY TRAY
PART NO.	PACKAGING

PS-89675-3460	ELEC/MECH PERFORMANCE
MIL-STD-348A, FIG. 310.1	INTERFACE
SPECIFICATION	DESCRIPTION

CHG: UPDATE STRIP	EC NO: URF2012-0490 DRWN: WIENER 2012/02/15 CHKD: SSS 2012/02/15 APPR: WIENER 2012/02/15
DELETE	
PS WAS	
PS-89675-2900 CONTACT MATERIAL WAS BECU	

QUALITY SYMBOLS	$\nabla=0$ $\nabla=0$															
GENERAL TOLERANCES (UNLESS SPECIFIED)	<table border="1"> <tr> <th></th> <th>mm</th> <th>INCH</th> </tr> <tr> <td>4 PLACES</td> <td>± .005</td> <td>± .0005</td> </tr> <tr> <td>3 PLACES</td> <td>± .004</td> <td>± .0004</td> </tr> <tr> <td>2 PLACES</td> <td>± .003</td> <td>± .0003</td> </tr> <tr> <td>1 PLACE</td> <td>± .002</td> <td>± .0002</td> </tr> </table>		mm	INCH	4 PLACES	± .005	± .0005	3 PLACES	± .004	± .0004	2 PLACES	± .003	± .0003	1 PLACE	± .002	± .0002
	mm	INCH														
4 PLACES	± .005	± .0005														
3 PLACES	± .004	± .0004														
2 PLACES	± .003	± .0003														
1 PLACE	± .002	± .0002														
ANGULAR	± 2°															
DRAFT WHERE APPLICABLE	MUST REMAIN WITHIN DIMENSIONS															

DIMENSION STYLE	MM/IN
SCALE	AS SHOWN
DESIGN UNITS	METRIC
THIRD ANGLE PROJECTION	

TITLE	SMA PLUG, RA, 50 OHMS RG-316 CABLE GROUP SMA-PC/RA	
DRAWN BY	DATE	MOLEX INCORPORATED
MDE	1999/12/15	
CHECKED BY	DATE	
GMH	1999/12/15	
APPROVED BY	DATE	
GMH	1999/12/17	
MATERIAL NO.	SEE TABLE	
DOCUMENT NO.	SD-73251-021	
SHEET NO.	1 OF 1	