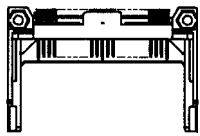


Compact Flash Memory Card Connectors

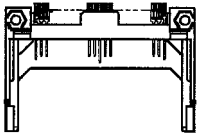


Series 5610/5620 Product Selection Guide

CONNECTOR



H=2.0mm



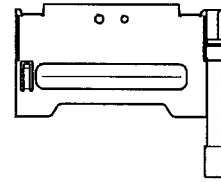
H=0mm



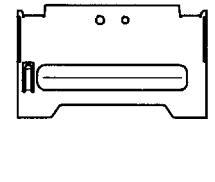
EJECTOR



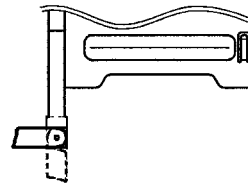
LEFT STRAIGHT BUTTON



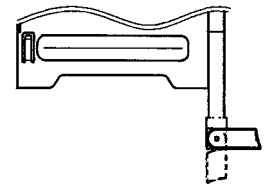
RIGHT STRAIGHT BUTTON



WITHOUT BUTTON



LEFT FOLDABLE BUTTON



RIGHT FOLDABLE BUTTON

CONNECTOR

Stand Off	Keying	Connector	Page
Type I Height=0	Normal	31 5610 050 500 871	34, 35
	Reverse	31 5610 050 550 871	
Type I Height=2.0	Normal	31 5610 050 210 871	36, 37
	Reverse	31 5610 050 260 871	
Type II Height=0	Normal	31 5620 050 116 871	38
Type II Height=2.0	Reverse	31 5620 050 716 871	39

CONNECTOR AND EJECTOR

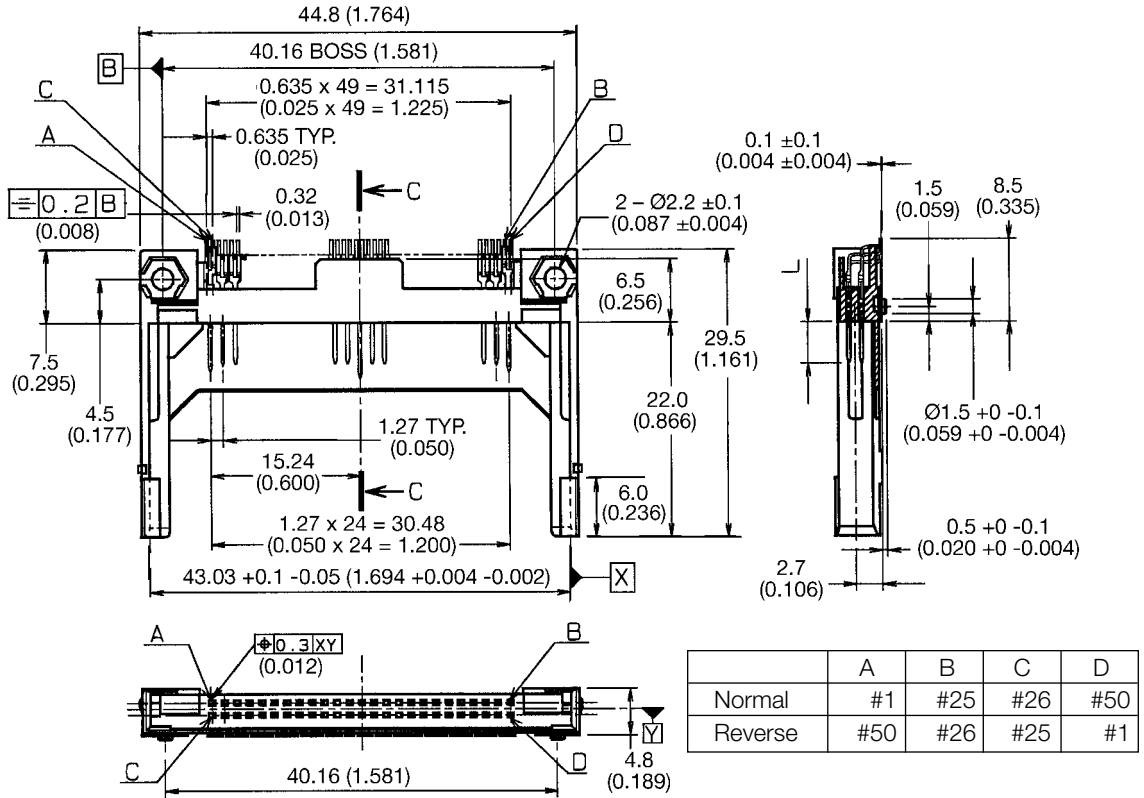
Connector Style		Ejector Style		How To Order		Page
Stand Off	Keying	Button Side		Connector	Ejector	
Type I Height=0	Normal	Straight	Left	31 5610 050 500 871	30 5610 000 001 000	34, 35
			Right	31 5610 050 500 871	30 5610 000 002 000	
		Foldable	Left	31 5610 050 500 871	30 5610 000 005 000	
			Right	31 5610 050 500 871	30 5610 000 006 000	
Type I Height=0	Reverse	Straight	Left	31 5610 050 550 871	30 5610 000 001 000	34, 35
			Right	31 5610 050 550 871	30 5610 000 002 000	
		Foldable	Left	31 5610 050 550 871	30 5610 000 005 000	
			Right	31 5610 050 550 871	30 5610 000 006 000	
Type I Height=2.0	Normal	Straight	Left	31 5610 050 210 871	30 5610 000 001 000	36, 37
			Right	31 5610 050 210 871	30 5610 000 002 000	
		Foldable	Left	31 5610 050 210 871	30 5610 000 005 000	
			Right	31 5610 050 210 871	30 5610 000 006 000	
Type I Height=2.0	Reverse	Straight	Left	31 5610 050 260 871	30 5610 000 001 000	36, 37
			Right	31 5610 050 260 871	30 5610 000 002 000	
		Foldable	Left	31 5610 050 260 871	30 5610 000 005 000	
			Right	31 5610 050 260 871	30 5610 000 006 000	
Type II Height=0	Normal	Straight	Left	31 5620 050 116 871	30 5620 000 001 000	38
			Right	31 5620 050 116 871	30 5620 000 002 000	
		Foldable	Left	31 5620 050 116 871	30 5620 000 005 000	
			Right	31 5620 050 116 871	30 5620 000 006 000	
Type II Height=2.0	Reverse	Straight	Left	31 5620 050 716 871	30 5620 000 001 000	39
			Right	31 5620 050 716 871	30 5620 000 002 000	
		Foldable	Left	31 5620 050 716 871	30 5620 000 005 000	
			Right	31 5620 050 716 871	30 5620 000 006 000	

Compact Flash Memory Card Connectors

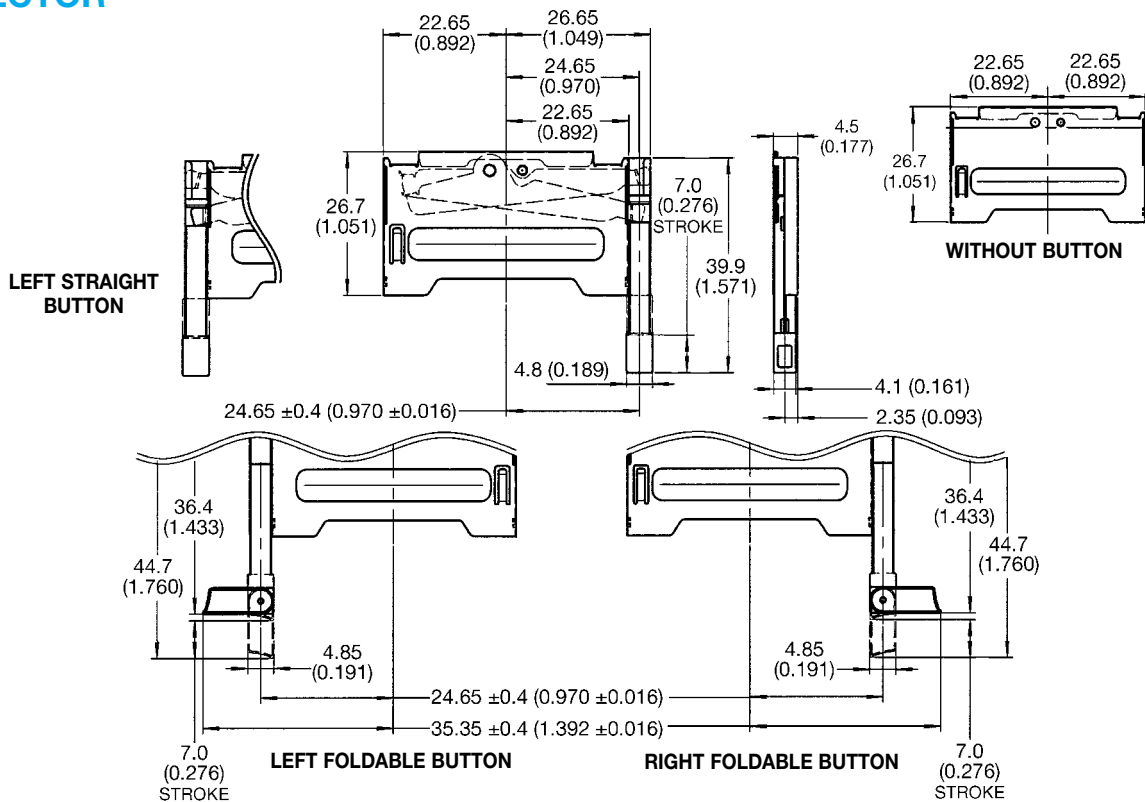


Series 5610 Header/Ejector Assembly H=0mm

CONNECTOR



EJECTOR



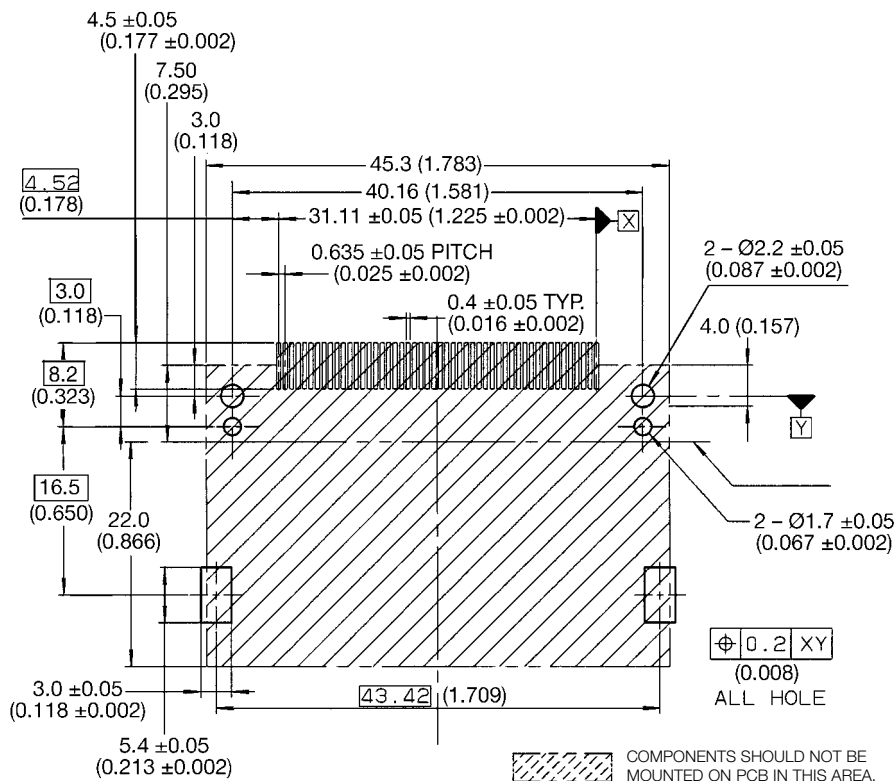
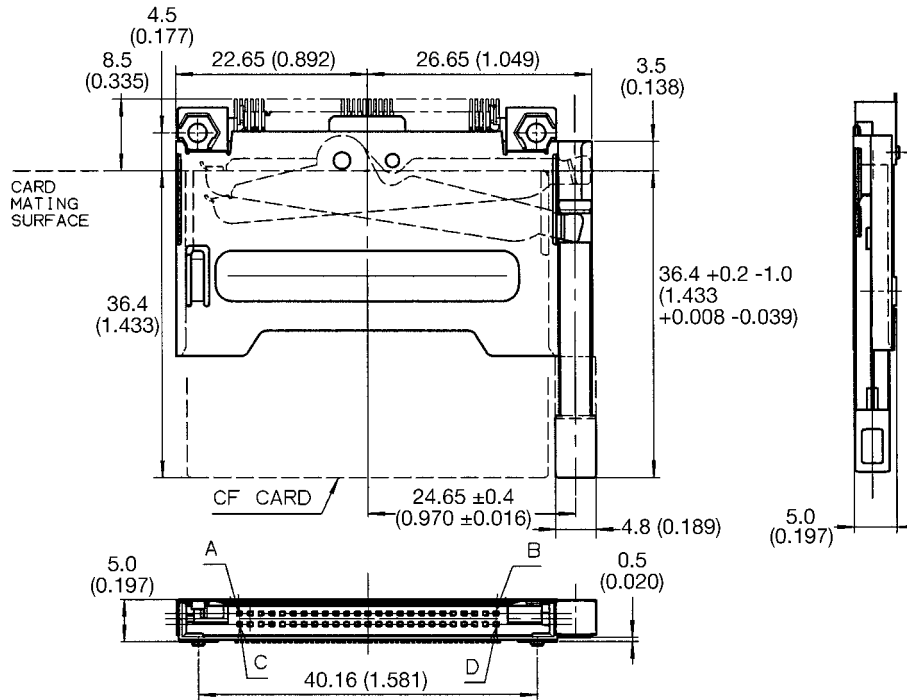
See page 33 for How To Order

Compact Flash Memory Card Connectors



Series 5610 Header/Ejector Assembly H=0mm

ASSEMBLY



RECOMMENDED PRINTED CIRCUIT LAYOUT

Height	Boss	Key	How To Order
H=0	0.5	Normal	31 5610 050 500 871
		Reverse	31 5610 050 550 871

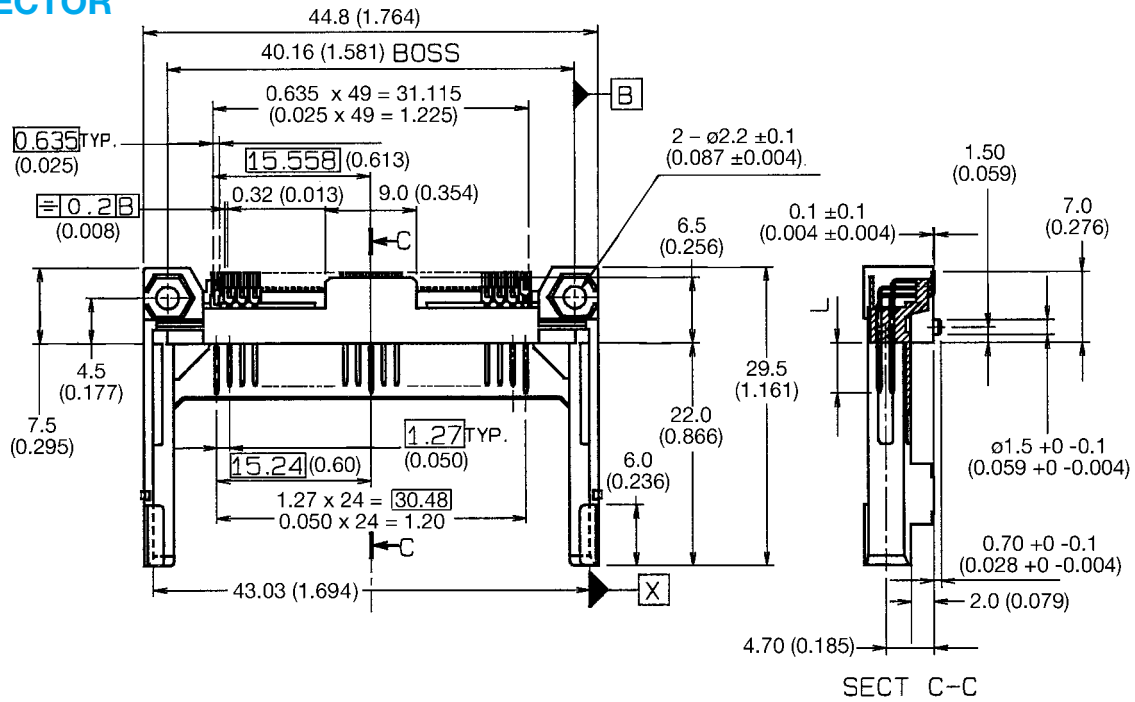
	A	B	C	D
Normal	#1	#25	#26	#50
Reverse	#50	#26	#25	#1

Compact Flash Memory Card Connectors

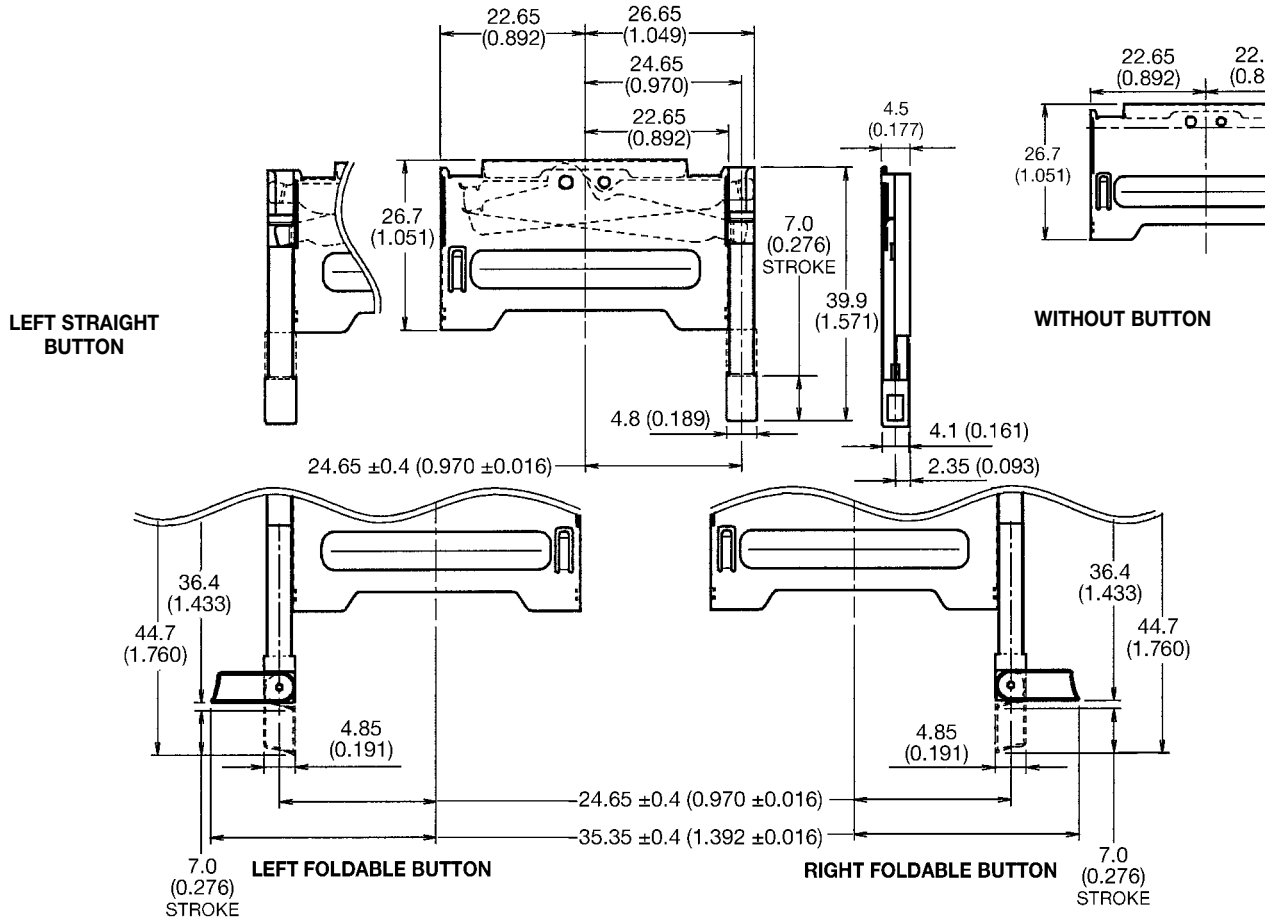


Series 5610 Header/Ejector Assembly H=2mm

CONNECTOR



EJECTOR



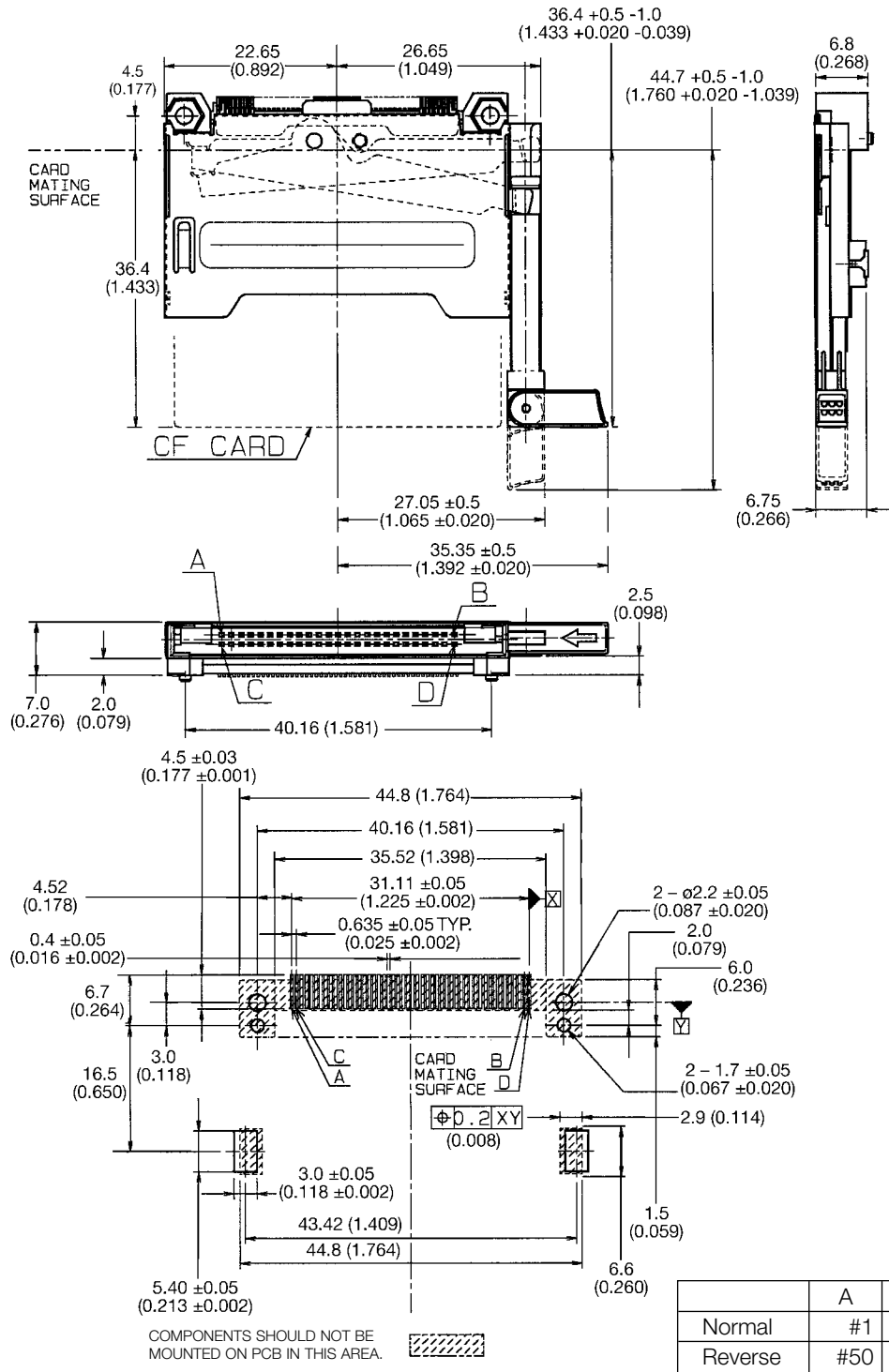
See page 33 for How To Order

Compact Flash Memory Card Connectors



Series 5610 Header/Ejector Assembly H=2mm

ASSEMBLY



RECOMMENDED PRINTED CIRCUIT LAYOUT

	A	B	C	D
Normal	#1	#25	#26	#50
Reverse	#50	#26	#25	#1

CONNECTOR			
Height	Boss	Key	How To Order
H=2.2	0.7	Normal	31 5610 050 210 871
		Reverse	31 5610 050 260 871