

CCA-1

Cathedral Ceiling Adaptor

Product Features:

Designed for angled ceiling installations and works with all manufacturer's mounting systems when using standard 1.5" NPT pipe

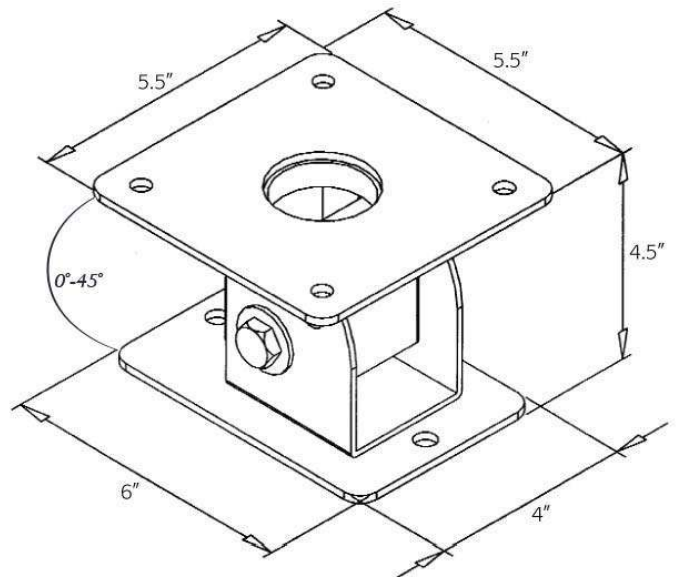
Also works with ceiling mast provided with PM-Series, PDS-LCB, LCD-MID-CB and LCD-2537CB

Black powder coat finish

Product Specifications:

(for Architects & Engineers)

The cathedral ceiling adaptor for angled ceiling installations is the Video Mount Product (VMP) model CCA-1. The adaptor shall provide up to 45 degrees of tilt. The adaptor shall work with all manufacturers mounting systems when using standard 1.5" N.P.T plumbing pipe. Also works in conjunction with the ceiling mast provided with models PM-Series, PDS-LCB, LCD-MID-CB and LCD-2537CB.



Video Mount Products

345 Log Canoe Circle
Stevensville, MD 21666
Toll Free: 877.281.2169
Telephone: 410.643.6390
Facsimile: 410.643.6615
www.videomount.com

VMP
VIDEO MOUNT PRODUCTS